

EMK 12-B2 - Electronics housing



2948995

<https://www.phoenixcontact.com/us/products/2948995>

Please be informed that the data shown in this PDF document is generated from our online catalog. Please find the complete data in the user documentation. Our general terms of use for downloads are valid.



Custom circuit module, consisting of housing, MKDS 3 connection terminal blocks and PCB

Commercial data

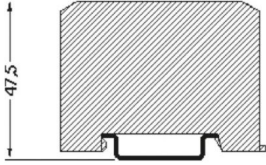
Item number	2948995
Packing unit	10 pc
Minimum order quantity	1 pc
Sales key	AC11
Product key	ACHCAC
GTIN	4017918083663
Weight per piece (including packing)	24.46 g
Weight per piece (excluding packing)	24.08 g
Customs tariff number	85340090
Country of origin	DE

Technical data

Product properties

Product type	Complete housing
Housing type	Complete housing
Housing series	EMK
Type	Connection system integrated, PCB integrated
Number of positions	4

Dimensions

Dimensional drawing	
Width	12.5 mm
Height NS 35/7,5	47.5 mm
Depth	60 mm
Length	60 mm

Material specifications

Color (Housing)	green (RAL 6021)
Material Housing	PC (glass-fiber reinforced)
Flammability rating according to UL 94	V0

Environmental and real-life conditions

Ambient conditions

Ambient temperature (operation)	-40 °C ... 125 °C
---------------------------------	-------------------

Mounting

Mounting type	DIN rail mounting
---------------	-------------------

EMK 12-B2 - Electronics housing

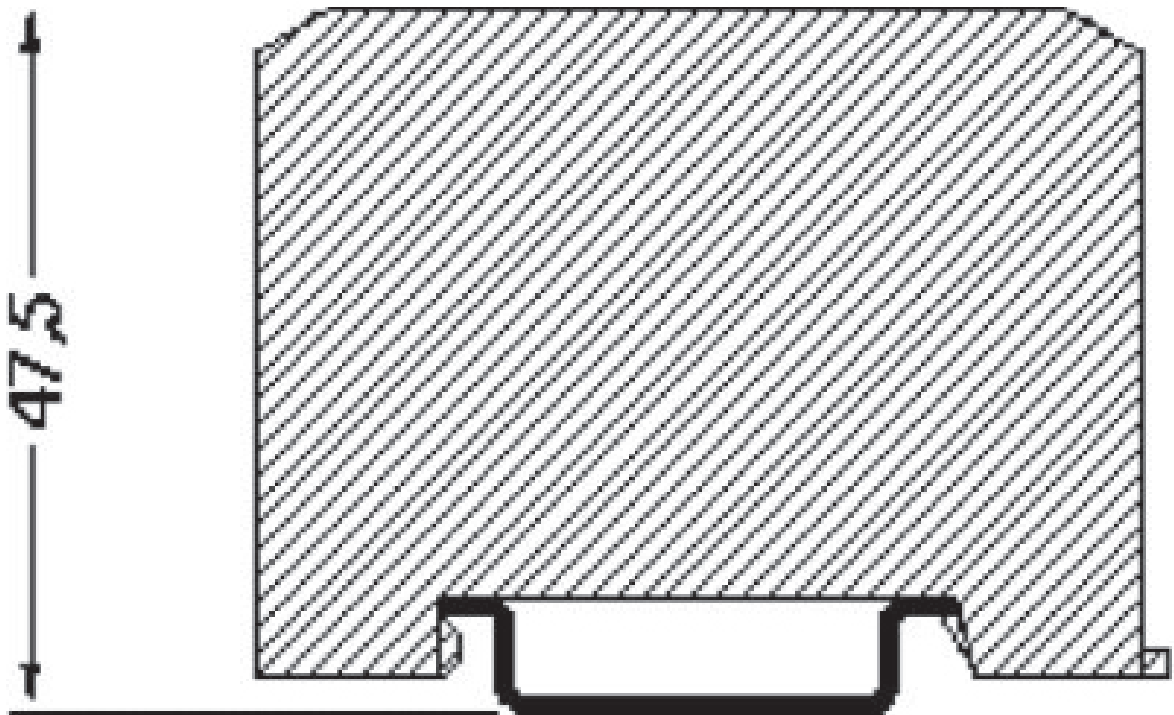
2948995

<https://www.phoenixcontact.com/us/products/2948995>



Drawings

Dimensional drawing



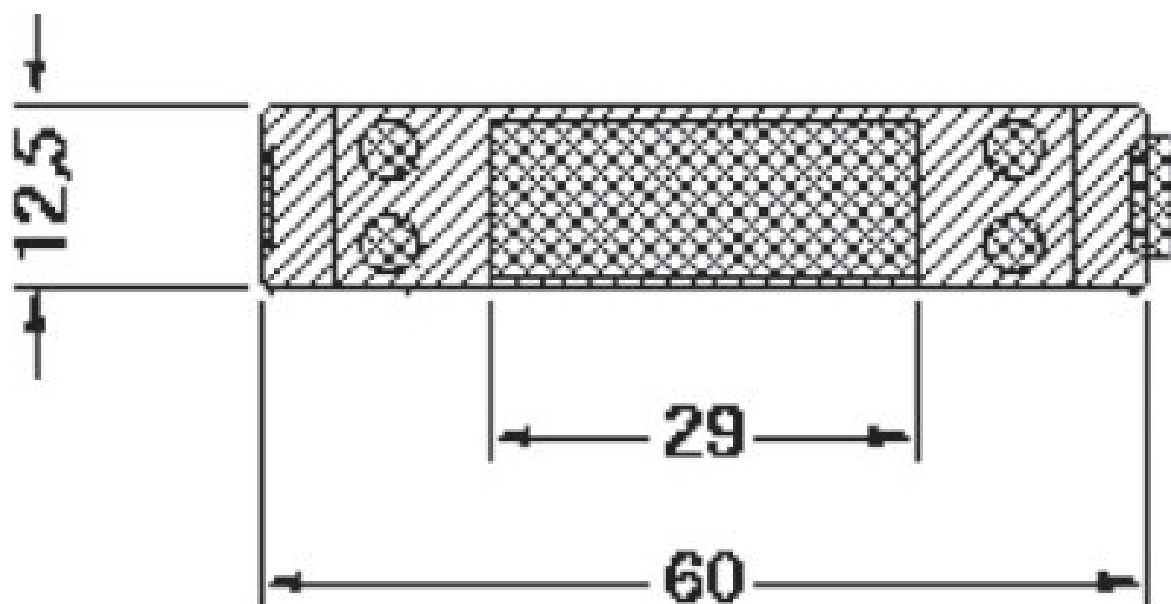
EMK 12-B2 - Electronics housing

2948995

<https://www.phoenixcontact.com/us/products/2948995>



Dimensional drawing



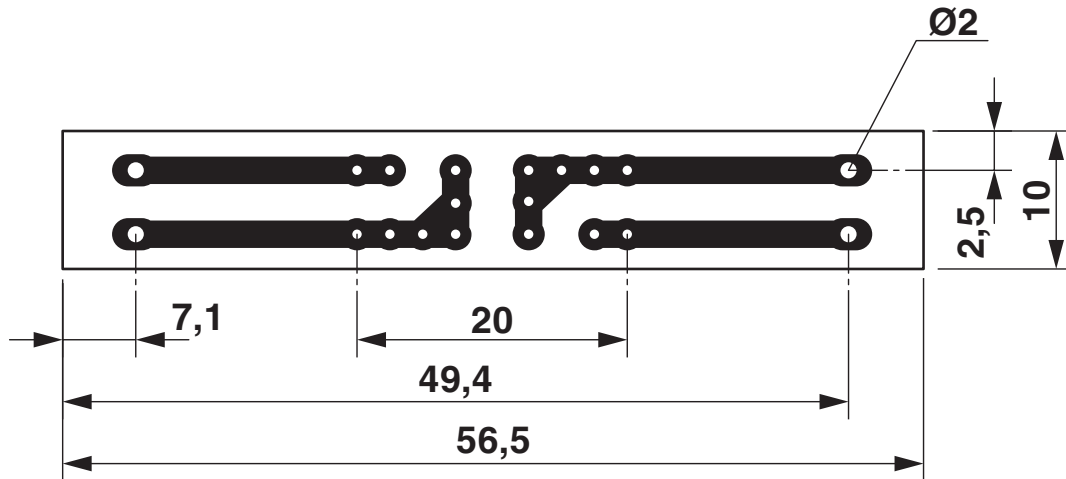
EMK 12-B2 - Electronics housing

2948995

<https://www.phoenixcontact.com/us/products/2948995>



Dimensional drawing



Overall component area EMK 12

EMK 12-B2 - Electronics housing

2948995

<https://www.phoenixcontact.com/us/products/2948995>



Classifications

ECLASS

ECLASS-13.0	27190101
ECLASS-15.0	27190101

ETIM

ETIM 10.0	EC001031
-----------	----------

UNSPSC

UNSPSC 21.0	31261500
-------------	----------

EMK 12-B2 - Electronics housing



2948995

<https://www.phoenixcontact.com/us/products/2948995>

Environmental product compliance

EU RoHS

Fulfills EU RoHS substance requirements	Yes
Exemption	6(c)

China RoHS

Environment friendly use period (EFUP)	EFUP-50
	An article-related China RoHS declaration table can be found in the download area for the respective article under "Manufacturer declaration". For all articles with EFUP-E, no China RoHS declaration table issued and required.

EU REACH SVHC

REACH candidate substance (CAS No.)	Lead(CAS: 7439-92-1)
SCIP	5967add4-0742-473b-b120-21b1b9072331

EF3.1 Climate Change

CO2e kg	0.625 kg CO2e
---------	---------------

Phoenix Contact 2026 © - all rights reserved
<https://www.phoenixcontact.com>

Phoenix Contact USA
586 Fulling Mill Road
Middletown, PA 17057, United States
(+717) 944-1300
info@phoenixcon.com