

# EMG 10-OE- 60DC/ 48DC/100 - Solid-state relay module



2948911

<https://www.phoenixcontact.com/us/products/2948911>

Please be informed that the data shown in this PDF document is generated from our online catalog. Please find the complete data in the user documentation. Our general terms of use for downloads are valid.



Input solid-state relay, with LED and protective circuit in input and output circuits, input: 48 - 60 V DC, output: 4 - 48 V DC/max. 100 mA

The figure shows version EMG 10-OE, with DC voltage output, max. 100 mA

## Commercial data

Item number	2948911
Packing unit	1 pc
Note	Made to order (non-returnable)
Sales key	C460
Product key	DK61C1
GTIN	4017918083588
Weight per piece (including packing)	39.5 g
Weight per piece (excluding packing)	39.5 g
Customs tariff number	85364190
Country of origin	DE

# EMG 10-OE- 60DC/ 48DC/100 - Solid-state relay module



2948911

<https://www.phoenixcontact.com/us/products/2948911>

## Technical data

### Notes

#### Utilization restriction

EMC note	EMC: class A product, see manufacturer's declaration in the download area
----------	---

### Product properties

Product type	Solid-state relay module
Application	Output function
Operating mode	100% operating factor

#### Insulation characteristics

Insulation	Basic insulation
Overvoltage category	III
Pollution degree	2

#### Data management status

Date of last data management	01.04.2026
------------------------------	------------

### Electrical properties

Test voltage (Input/output)	3.5 kV AC (Input/output)
-----------------------------	--------------------------

### Input data

Nominal input voltage $U_N$	60 V DC
Input voltage range in reference to $U_N$	0.8 ... 1.2
Input voltage range	48 V DC ... 72 V DC
Switching threshold "0" signal in reference to $U_N$	$\leq 0.4$
Switching threshold "1" signal in reference to $U_N$	$\geq 0.8$
Typical input current at $U_N$	7.5 mA
Typical response time	20 $\mu$ s
Typical turn-off time	100 $\mu$ s
Status display	LED (yellow)
Protective circuit	Reverse polarity protection; Polarity protection diode Surge protection
Transmission frequency	500 Hz

### Output data

Design of digital output	electronic
Output nominal voltage	48 V DC
Output voltage range	4 V DC ... 48 V DC
Limiting continuous current	100 mA
Voltage drop at max. limiting continuous current	0.9 V
Output circuit	2-conductor, floating

# EMG 10-OE- 60DC/ 48DC/100 - Solid-state relay module



2948911

<https://www.phoenixcontact.com/us/products/2948911>

Protective circuit	Reverse polarity protection; Polarity protection diode
	Surge protection

## Connection data

### Input side

Connection method	Screw connection
Stripping length	8 mm
Screw thread	M3
Conductor cross-section rigid	0.2 mm <sup>2</sup> ... 4 mm <sup>2</sup>
Conductor cross-section flexible	0.2 mm <sup>2</sup> ... 2.5 mm <sup>2</sup>
Conductor cross-section AWG	24 ... 12

### Output side

Connection method	Screw connection
Stripping length	8 mm
Screw thread	M3
Conductor cross-section rigid	0.2 mm <sup>2</sup> ... 4 mm <sup>2</sup>
Conductor cross-section flexible	0.2 mm <sup>2</sup> ... 2.5 mm <sup>2</sup>
Conductor cross-section AWG	24 ... 12

## Dimensions

Width	10 mm
Height	75 mm
Depth	102 mm

## Material specifications

Color	green (RAL 6021)
Flammability rating according to UL 94	V0

## Environmental and real-life conditions

### Ambient conditions

Degree of protection	IP20
Ambient temperature (operation)	-20 °C ... 60 °C
Ambient temperature (storage/transport)	-20 °C ... 70 °C

## Standards and regulations

Standards/regulations	IEC 60664
	EN 50178

## Mounting

Mounting type	DIN rail mounting
Assembly note	in rows with zero spacing
Mounting position	any

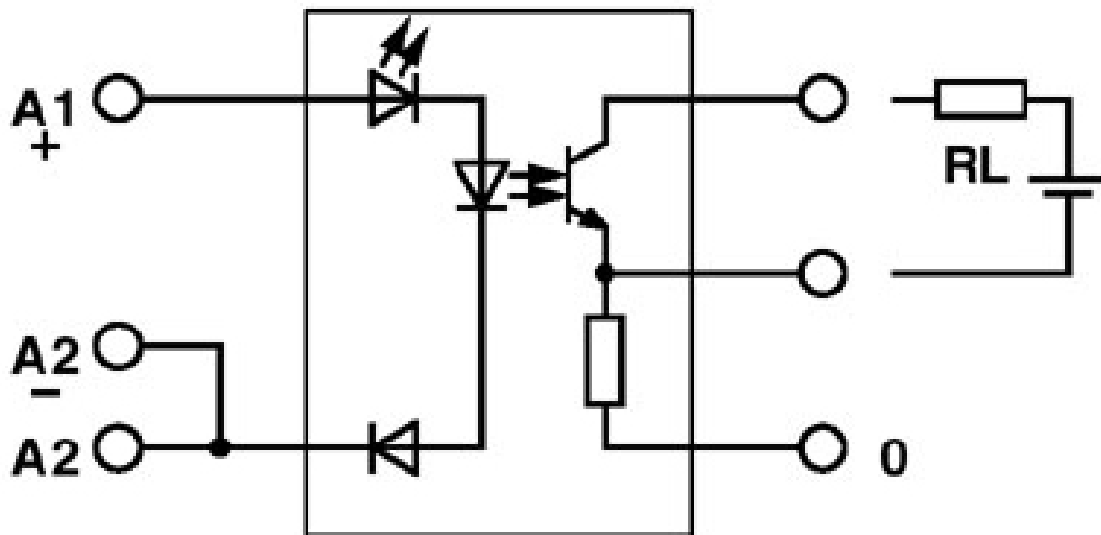
# EMG 10-OE- 60DC/ 48DC/100 - Solid-state relay module

2948911

<https://www.phoenixcontact.com/us/products/2948911>

## Drawings

Circuit diagram



Output: 2-conductor, floating, negative switching

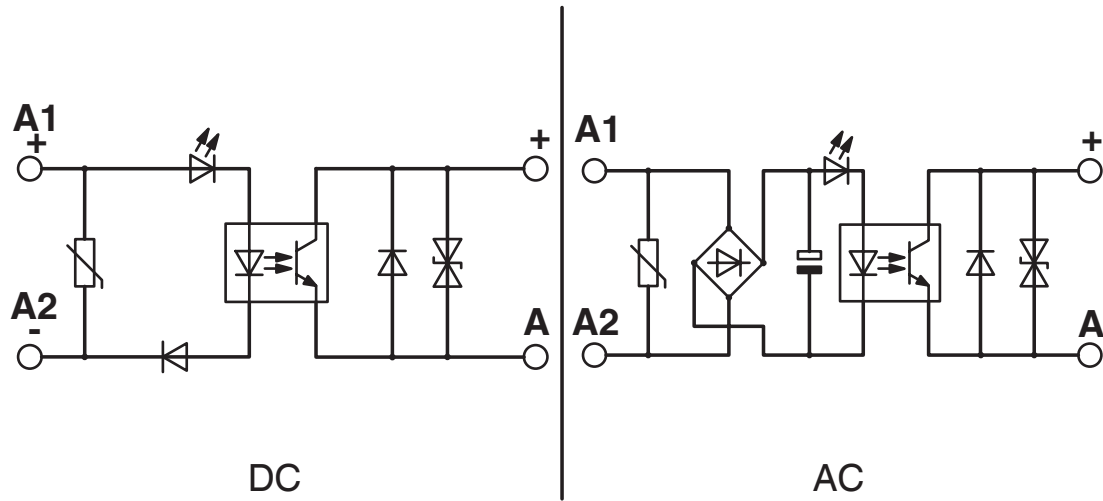
# EMG 10-OE- 60DC/ 48DC/100 - Solid-state relay module



2948911

<https://www.phoenixcontact.com/us/products/2948911>

Circuit diagram



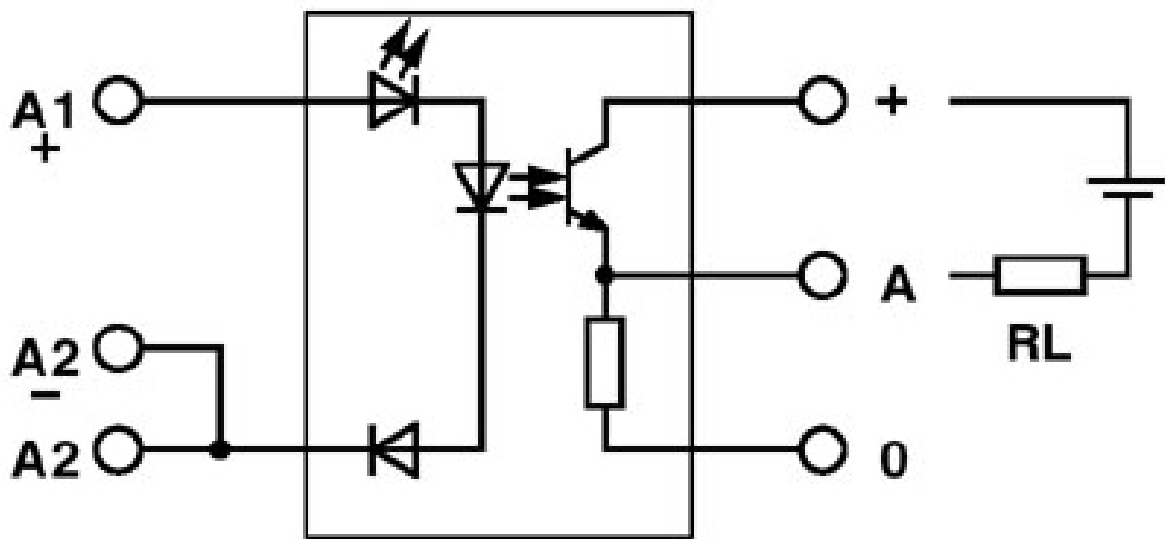
# EMG 10-OE- 60DC/ 48DC/100 - Solid-state relay module



2948911

<https://www.phoenixcontact.com/us/products/2948911>

Circuit diagram



Output: 2-conductor, floating, positive switching

# EMG 10-OE- 60DC/ 48DC/100 - Solid-state relay module



2948911

<https://www.phoenixcontact.com/us/products/2948911>

## Environmental product compliance

### China RoHS

Environment friendly use period (EFUP)	EFUP-50
	An article-related China RoHS declaration table can be found in the download area for the respective article under "Manufacturer declaration". For all articles with EFUP-E, no China RoHS declaration table issued and required.

### EU REACH SVHC

REACH candidate substance (CAS No.)	No substance above 0.1 wt%
-------------------------------------	----------------------------

Phoenix Contact 2026 © - all rights reserved  
<https://www.phoenixcontact.com>

Phoenix Contact USA  
586 Fulling Mill Road  
Middletown, PA 17057, United States  
(+717) 944-1300  
[info@phoenixcon.com](mailto:info@phoenixcon.com)