

EMG 12-OV- 60DC/240AC/1 - Solid-state relay module



2948830

<https://www.phoenixcontact.com/us/products/2948830>

Please be informed that the data shown in this PDF document is generated from our online catalog. Please find the complete data in the user documentation. Our general terms of use for downloads are valid.



Power solid-state relay, with LED and protective circuit in input and output circuits, input: 48 - 60 V DC, output: 24 - 280 V AC/max. 1 A

The figure shows version EMG 12-OV, with AC voltage output, max. 1 A

Commercial data

Item number	2948830
Packing unit	10 pc
Minimum order quantity	1 pc
Note	Made to order (non-returnable)
Product key	DK61C3
GTIN	4017918083502
Weight per piece (including packing)	51.22 g
Weight per piece (excluding packing)	51.22 g
Country of origin	DE

Technical data

Product properties

Product type	Solid-state relay module
Application	Output function
Operating mode	100% operating factor

Insulation characteristics

Insulation	Basic insulation
------------	------------------

Data management status

Date of last data management	01.04.2026
------------------------------	------------

Electrical properties

Test voltage (Input/output)	3.5 kV AC (Input/output)
-----------------------------	--------------------------

Input data

Nominal input voltage U_N	60 V DC
Input voltage range in reference to U_N	0.64 ... 1.1
Input voltage range	38.4 V DC ... 66 V DC
Switching threshold "0" signal in reference to U_N	≤ 0.32
Switching threshold "1" signal in reference to U_N	≥ 0.64
Typical input current at U_N	4.5 mA
Typical response time	max. one half cycle - zero-voltage crossing
Typical turn-off time	max. one half cycle - zero-current crossing
Status display	LED (yellow)
Protective circuit	Reverse polarity protection; Polarity protection diode Surge protection; Varistor
Transmission frequency	25 Hz

Output data

Design of digital output	electronic
Output nominal voltage	240 V AC
Output voltage range	24 V AC ... 280 V AC (50 Hz ... 60 Hz)
Limiting continuous current	1 A (see derating curve)
Min. load current	50 mA
Leakage current	2.5 mA
Surge current	125 A (t = 10 ms)
Phase angle cos phi min	0.5
Max. load value	$78 \text{ A}^2\text{s}$ ($I^2 \times t$ where t = 10 ms)
Peak offstate voltage	600 V (Periodic peak reverse voltage)
Voltage drop at max. limiting continuous current	$\leq 1.5 \text{ V}$
Output circuit	2-conductor, floating
Protective circuit	RC element; RC element

2948830

<https://www.phoenixcontact.com/us/products/2948830>

Connection data

Input side

Connection method	Screw connection
Stripping length	8 mm
Screw thread	M3
Conductor cross-section rigid	0.2 mm ² ... 4 mm ²
Conductor cross-section flexible	0.2 mm ² ... 2.5 mm ²
Conductor cross-section AWG	24 ... 12

Output side

Connection method	Screw connection
Stripping length	8 mm
Screw thread	M3
Conductor cross-section rigid	0.2 mm ² ... 4 mm ²
Conductor cross-section flexible	0.2 mm ² ... 2.5 mm ²
Conductor cross-section AWG	24 ... 12

Dimensions

Width	12.5 mm
Height	75 mm
Depth	102 mm

Material specifications

Color	green (RAL 6021)
Flammability rating according to UL 94	V0

Environmental and real-life conditions

Ambient conditions

Degree of protection	IP20
Ambient temperature (operation)	-20 °C ... 60 °C
Ambient temperature (storage/transport)	-20 °C ... 70 °C

Standards and regulations

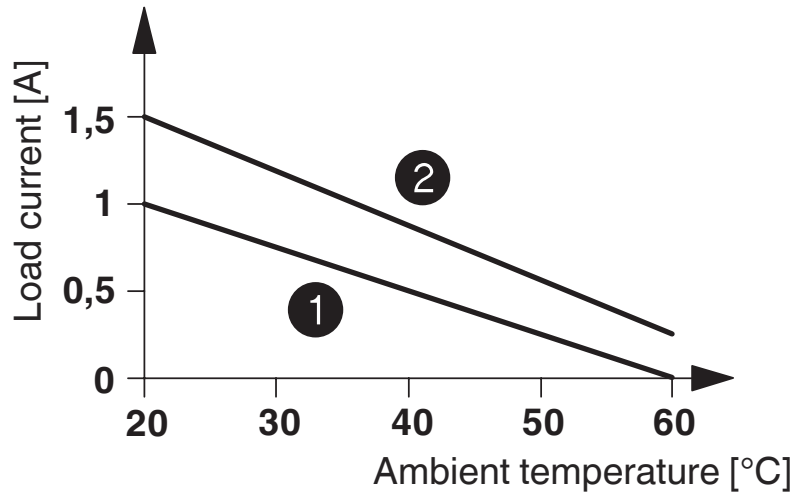
Standards/regulations	IEC 60664
	EN 50178

Mounting

Mounting type	DIN rail mounting
Assembly note	Mounted in rows with zero spacing: Horizontal/not in rows: Any
Mounting position	any

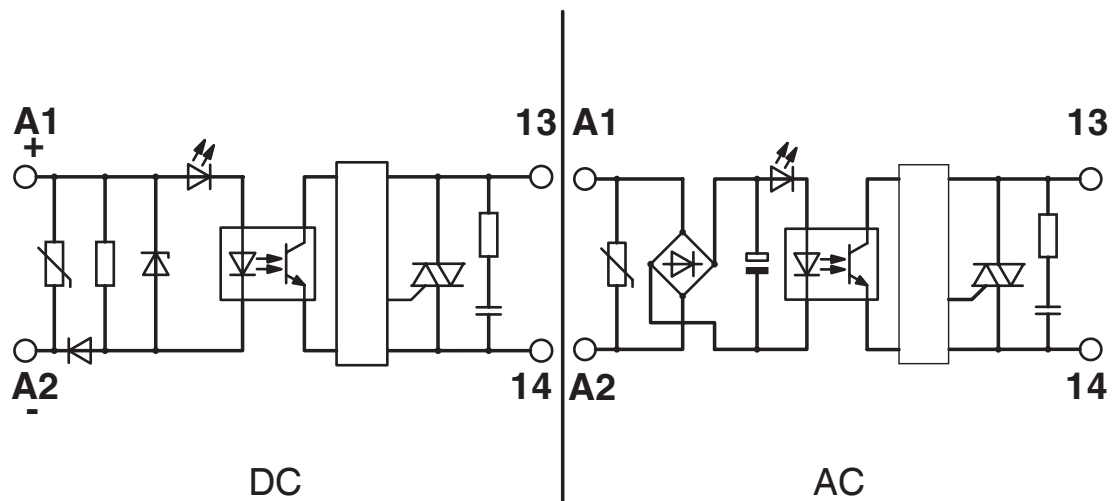
Drawings

Diagram



- ① In rows with zero spacing
- ② stand-alone device

Circuit diagram



2948830

<https://www.phoenixcontact.com/us/products/2948830>

Environmental product compliance

China RoHS

Environment friendly use period (EFUP)	EFUP-50
	An article-related China RoHS declaration table can be found in the download area for the respective article under "Manufacturer declaration". For all articles with EFUP-E, no China RoHS declaration table issued and required.

EU REACH SVHC

REACH candidate substance (CAS No.)	No substance above 0.1 wt%
-------------------------------------	----------------------------

Phoenix Contact 2026 © - all rights reserved
<https://www.phoenixcontact.com>

Phoenix Contact USA
586 Fulling Mill Road
Middletown, PA 17057, United States
(+717) 944-1300
info@phoenixcon.com