

# EMG 12-OV- 24DC/240AC/1 - Solid-state relay module



2948827

<https://www.phoenixcontact.com/us/products/2948827>

Please be informed that the data shown in this PDF document is generated from our online catalog. Please find the complete data in the user documentation. Our general terms of use for downloads are valid.



Power solid-state relay, with LED and protective circuit in input and output circuits, input: 24 V DC, output: 24 - 280 V AC/max. 1 A

The figure shows version EMG 12-OV, with AC voltage output, max. 1 A

## Commercial data

Item number	2948827
Packing unit	10 pc
Minimum order quantity	1 pc
Sales key	C460
Product key	DK61C1
GTIN	4017918083496
Weight per piece (including packing)	46.64 g
Weight per piece (excluding packing)	46.64 g
Customs tariff number	85364190
Country of origin	DE

## Technical data

### Notes

#### Utilization restriction

EMC note	EMC: class A product, see manufacturer's declaration in the download area
----------	---

### Product properties

Product type	Solid-state relay module
Application	Output function
Operating mode	100% operating factor

#### Insulation characteristics

Insulation	Basic insulation
------------	------------------

#### Data management status

Date of last data management	01.04.2026
------------------------------	------------

### Electrical properties

Test voltage (Input/output)	3.5 kV AC (Input/output)
-----------------------------	--------------------------

### Input data

Nominal input voltage $U_N$	24 V DC
Input voltage range in reference to $U_N$	0.8 ... 1.2
Input voltage range	19.2 V DC ... 28.8 V DC
Switching threshold "0" signal in reference to $U_N$	$\leq 0.4$
Switching threshold "1" signal in reference to $U_N$	$\geq 0.8$
Typical input current at $U_N$	6.8 mA
Typical response time	max. one half cycle - zero-voltage crossing
Typical turn-off time	max. one half cycle - zero-current crossing
Status display	LED (yellow)
Protective circuit	Reverse polarity protection; Polarity protection diode Surge protection; Varistor
Transmission frequency	10 Hz

### Output data

Contact switching type	1 N/O contact
Design of digital output	electronic
Output nominal voltage	240 V AC
Output voltage range	24 V AC ... 280 V AC (50 Hz ... 60 Hz)
Limiting continuous current	1 A (see derating curve)
Min. load current	50 mA
Leakage current	3.5 mA
Surge current	125 A (t = 10 ms)

2948827

<https://www.phoenixcontact.com/us/products/2948827>

Phase angle cos phi min	0.5
Max. load value	78 A <sup>2</sup> s (I <sup>2</sup> x t where t = 10 ms)
Peak offstate voltage	600 V (Periodic peak reverse voltage)
Voltage drop at max. limiting continuous current	≤ 1.5 V
Output circuit	2-conductor, floating
Protective circuit	RC element; RC element

## Connection data

### Input side

Connection method	Screw connection
Stripping length	8 mm
Screw thread	M3
Conductor cross-section rigid	0.2 mm <sup>2</sup> ... 4 mm <sup>2</sup>
Conductor cross-section flexible	0.2 mm <sup>2</sup> ... 2.5 mm <sup>2</sup>
Conductor cross-section AWG	24 ... 12

### Output side

Connection method	Screw connection
Stripping length	8 mm
Screw thread	M3
Conductor cross-section rigid	0.2 mm <sup>2</sup> ... 4 mm <sup>2</sup>
Conductor cross-section flexible	0.2 mm <sup>2</sup> ... 2.5 mm <sup>2</sup>
Conductor cross-section AWG	24 ... 12

## Dimensions

### Item dimensions

Width	12.5 mm
Height	75 mm
Depth	102 mm

## Material specifications

Color	green (RAL 6021)
Flammability rating according to UL 94	V0

## Environmental and real-life conditions

### Ambient conditions

Degree of protection	IP20
Ambient temperature (operation)	-20 °C ... 60 °C
Ambient temperature (storage/transport)	-20 °C ... 70 °C

## Standards and regulations

Standards/regulations	IEC 60664
	EN 50178

# EMG 12-OV- 24DC/240AC/1 - Solid-state relay module



2948827

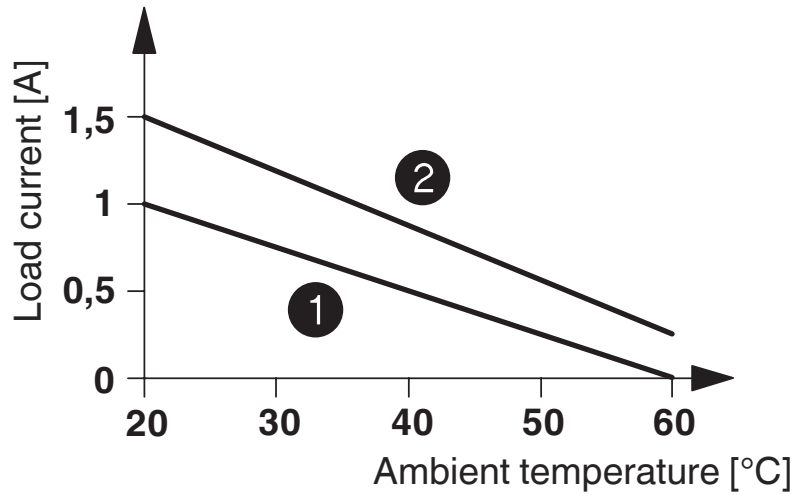
<https://www.phoenixcontact.com/us/products/2948827>

## Mounting

Mounting type	DIN rail mounting
Assembly note	Mounted in rows with zero spacing: Horizontal/not in rows: Any
Mounting position	any

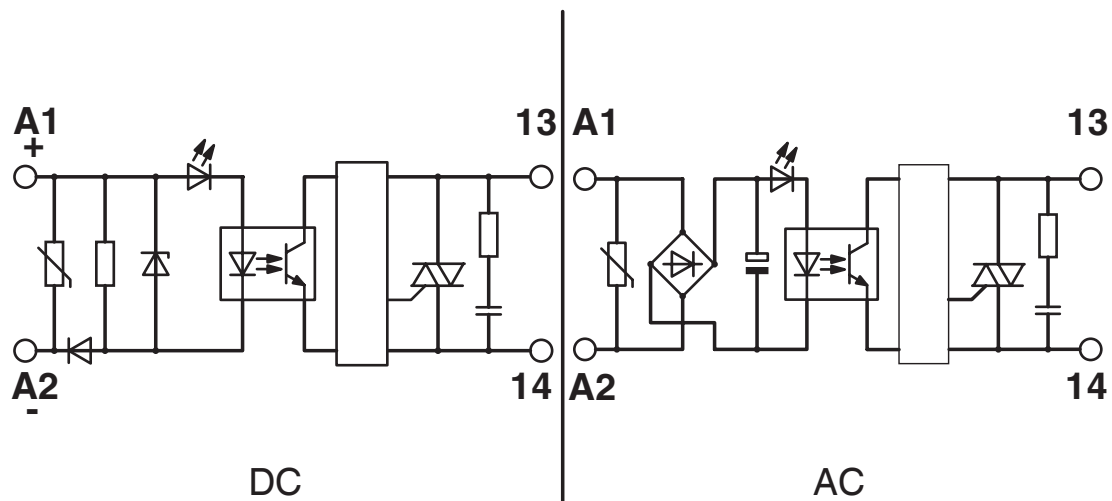
## Drawings

Diagram



- ① In rows with zero spacing
- ② stand-alone device

Circuit diagram



# EMG 12-OV- 24DC/240AC/1 - Solid-state relay module



2948827

<https://www.phoenixcontact.com/us/products/2948827>

## Approvals

To download certificates, visit the product detail page: <https://www.phoenixcontact.com/us/products/2948827>



**EAC**

Approval ID: RU\*C-DE.\*08.B.00010

# EMG 12-OV- 24DC/240AC/1 - Solid-state relay module



2948827

<https://www.phoenixcontact.com/us/products/2948827>

## Classifications

### ECLASS

ECLASS-13.0	27371604
ECLASS-15.0	27371604

### ETIM

ETIM 10.0	EC001504
-----------	----------

### UNSPSC

UNSPSC 21.0	39122300
-------------	----------

2948827

<https://www.phoenixcontact.com/us/products/2948827>

## Environmental product compliance

### EU RoHS

Fulfills EU RoHS substance requirements	Yes
Exemption	6(c), 7(a), 7(c)-I

### China RoHS

Environment friendly use period (EFUP)	EFUP-50
	An article-related China RoHS declaration table can be found in the download area for the respective article under "Manufacturer declaration". For all articles with EFUP-E, no China RoHS declaration table issued and required.

### EU REACH SVHC

REACH candidate substance (CAS No.)	Hexahydromethylphthalic anhydride(CAS: n/a)
	Lead(CAS: 7439-92-1)
SCIP	126a85a0-ffa3-4467-9c30-5a44349d40a6

### EF3.1 Climate Change

CO2e kg	1.274 kg CO2e
---------	---------------

Phoenix Contact 2026 © - all rights reserved  
<https://www.phoenixcontact.com>

Phoenix Contact USA  
 586 Fulling Mill Road  
 Middletown, PA 17057, United States  
 (+717) 944-1300  
[info@phoenixcon.com](mailto:info@phoenixcon.com)