

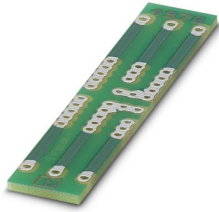
P 1-EMG 15 - PCB

2947857

<https://www.phoenixcontact.com/us/products/2947857>



Please be informed that the data shown in this PDF document is generated from our online catalog. Please find the complete data in the user documentation. Our general terms of use for downloads are valid.



PCB for assembling electronic components

Commercial data

Item number	2947857
Packing unit	20 pc
Minimum order quantity	20 pc
Sales key	AC11
Product key	ACHCBZ
GTIN	4017918082963
Weight per piece (including packing)	3.2 g
Weight per piece (excluding packing)	3.22 g
Customs tariff number	85340019
Country of origin	DE

P 1-EMG 15 - PCB

2947857

<https://www.phoenixcontact.com/us/products/2947857>



Technical data

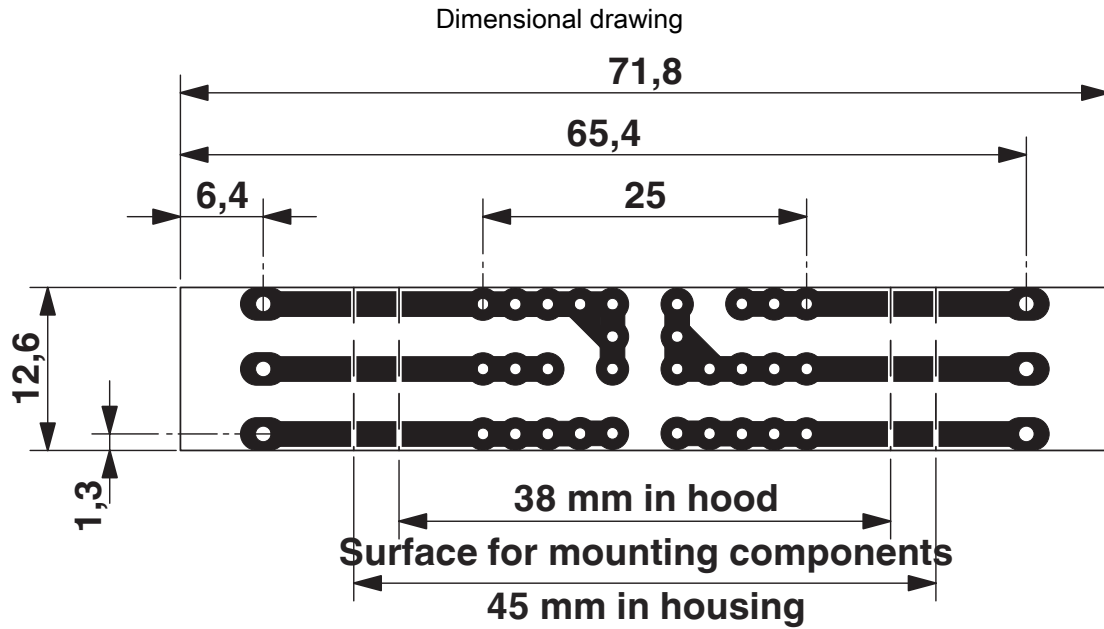
Product properties

Product type	PCB
Housing series	EMG
Product family	EMG

Material specifications

Color (Housing)	green (RAL 6021)
-----------------	------------------

Drawings



Pitch 5 mm

a = Area for mounting components, 38 mm in the hood

b = Area for mounting components, 45 mm in the housing

P 1-EMG 15 - PCB

2947857

<https://www.phoenixcontact.com/us/products/2947857>



Classifications

ECLASS

ECLASS-13.0	27260692
ECLASS-15.0	27260692

ETIM

ETIM 10.0	EC001031
-----------	----------

UNSPSC

UNSPSC 21.0	31261500
-------------	----------

P 1-EMG 15 - PCB



2947857

<https://www.phoenixcontact.com/us/products/2947857>

Environmental product compliance

EU RoHS

Fulfills EU RoHS substance requirements	Yes, No exemptions
---	--------------------

China RoHS

Environment friendly use period (EFUP)	EFUP-E
	No hazardous substances above the limits

EU REACH SVHC

REACH candidate substance (CAS No.)	No substance above 0.1 wt%
-------------------------------------	----------------------------

Phoenix Contact 2026 © - all rights reserved
<https://www.phoenixcontact.com>

Phoenix Contact USA
586 Fulling Mill Road
Middletown, PA 17057, United States
(+717) 944-1300
info@phoenixcon.com