

EMG 15-B3 - Electronics housing

2947815

<https://www.phoenixcontact.com/us/products/2947815>

Please be informed that the data shown in this PDF document is generated from our online catalog. Please find the complete data in the user documentation. Our general terms of use for downloads are valid.

Custom circuit module, consisting of housing, MKDS 3 connection terminal blocks and PCB



Commercial data

Item number	2947815
Packing unit	10 pc
Minimum order quantity	1 pc
Sales key	AC11
Product key	ACHCBA
GTIN	4017918082925
Weight per piece (including packing)	32.15 g
Weight per piece (excluding packing)	32.15 g
Customs tariff number	85369010
Country of origin	DE

EMG 15-B3 - Electronics housing

2947815

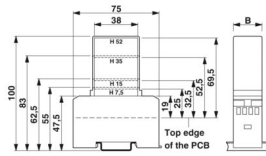
<https://www.phoenixcontact.com/us/products/2947815>

Technical data

Product properties

Product type	Stackable housing set
Housing type	Component housing
Housing series	EMG
Product family	EMG
Type	Lower housing part, removable cover as option, connection system integrated, PCB integrated
Number of positions	6
Pitch	5 mm
Ventilation openings present	no

Dimensions

Dimensional drawing	
Width	15 mm
Installed height	47.5 mm
Height NS 35/7,5	55 mm
Depth	75 mm
Length	75 mm
Pitch	5 mm

Material specifications

Color (Housing)	green (RAL 6021)
Material Housing	PC (glass-fiber reinforced)
Flammability rating according to UL 94	V0

Environmental and real-life conditions

Ambient conditions

Degree of protection	IP20
Ambient temperature (operation)	-40 °C ... 125 °C

Mounting

Mounting type	DIN rail mounting
---------------	-------------------

EMG 15-B3 - Electronics housing

2947815

<https://www.phoenixcontact.com/us/products/2947815>



Drawings

Dimensional drawing

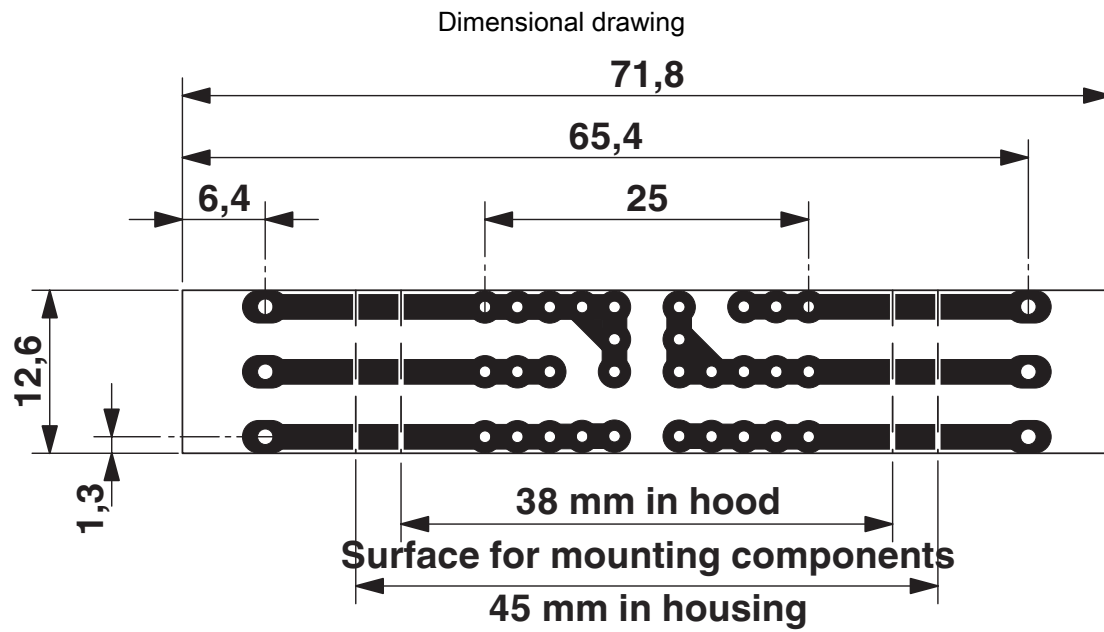


1 = Top edge of the PCB
B = Housing width

EMG 15-B3 - Electronics housing

2947815

<https://www.phoenixcontact.com/us/products/2947815>



Pitch 5 mm

a = Area for mounting components, 38 mm in the hood

b = Area for mounting components, 45 mm in the housing

EMG 15-B3 - Electronics housing

2947815

<https://www.phoenixcontact.com/us/products/2947815>



Classifications

ECLASS

ECLASS-13.0	27190301
ECLASS-15.0	27190301

ETIM

ETIM 10.0	EC001031
-----------	----------

UNSPSC

UNSPSC 21.0	31261500
-------------	----------

Environmental product compliance

EU RoHS

Fulfills EU RoHS substance requirements	Yes
Exemption	6(c)

China RoHS

Environment friendly use period (EFUP)	EFUP-50
	An article-related China RoHS declaration table can be found in the download area for the respective article under "Manufacturer declaration". For all articles with EFUP-E, no China RoHS declaration table issued and required.

EU REACH SVHC

REACH candidate substance (CAS No.)	Lead(CAS: 7439-92-1)
SCIP	58d9f86d-34dd-474d-bd58-feec1b4ae03d

EF3.1 Climate Change

CO2e kg	0.645 kg CO2e
---------	---------------