

EMG 17-REL/SG-B 60/21/P - Relay module



2947491

<https://www.phoenixcontact.com/us/products/2947491>

Please be informed that the data shown in this PDF document is generated from our online catalog. Please find the complete data in the user documentation. Our general terms of use for downloads are valid.



Relay module, with soldered-in remanence miniature switching relay, with positive switching diode wiring, contacts (AgSnO): small to large loads, 1 changeover contact, input voltage 60 V DC

The figure shows version EMG 17-REL, with soldered-in Latching miniature switching relay

Commercial data

Item number	2947491
Packing unit	1 pc
Note	Made to order (non-returnable)
Sales key	C460
Product key	DK6142
GTIN	4017918139315
Weight per piece (including packing)	46.9 g
Weight per piece (excluding packing)	46.9 g
Customs tariff number	85364190
Country of origin	DE

2947491

<https://www.phoenixcontact.com/us/products/2947491>

Technical data

Product properties

Product type	Relay Module
Application	Universal
Operating mode	100% operating factor
Mechanical service life	approx. 10^7 cycles

Insulation characteristics: Air clearances and creepage distances between the power circuits

Insulation	Safe isolation, reinforced insulation
Overvoltage category	III
Pollution degree	2

Insulation characteristics

Overvoltage category	III
Pollution degree	2

Data management status

Date of last data management	01.04.2026
------------------------------	------------

Electrical properties

Maximum power dissipation for nominal condition	0.54 W
Test voltage (Winding/contact)	4 kV _{rms} (50 Hz, 1 min., winding/contact)

Air clearances and creepage distances between the power circuits

Rated insulation voltage	250 V AC
Rated surge voltage	4 kV

Input data

Coil side

Nominal input voltage U_N	60 V DC
Input voltage range	48 V DC ... 66 V DC
Input voltage range in reference to U_N	0.8 ... 1.1
Drive and function	bistable
Typical input current at U_N	typ. 9 mA
Typical response time	5 ms
Typical release time	5 ms
Pulse time range	30 ms ... 5 s
Coil voltage	24 V DC
Protective circuit	Freewheeling diode; Freewheeling diode Reverse polarity protection; Polarity protection diode

Output data

Switching

EMG 17-REL/SG-B 60/21/P - Relay module



2947491

<https://www.phoenixcontact.com/us/products/2947491>

Contact switching type	Single contact, 1 changeover contact
Type of switch contact	Single contact
Contact material	AgSnO
Maximum switching voltage	250 V AC/DC
Minimum switching voltage	5 V (at 100 mA) 24 V (At 1 mA)
Limiting continuous current	6 A
Maximum inrush current	8 A
Min. switching current	1 mA (at 24 V) 100 mA (At 5 V)
Interrupting rating (ohmic load) max.	144 W (at 24 V DC) 43 W (at 48 V DC) 42 W (at 60 V DC) 55 W (at 110 V DC) 100 W (at 220 V DC) 1500 VA (for 250 V AC)

Switching: when the gold layer is destroyed

Maximum switching voltage	250 V AC/DC
Limiting continuous current	5 A
Maximum inrush current	6 A
Interrupting rating (ohmic load) max.	120 W (at 24 V DC) 40 W (at 48 V DC) 35 MW (at 60 V DC) 30 W (at 110 V DC) 55 W (at 220 V DC) 1100 VA (for 250 V AC)

Connection data

Coil side

Connection method	Screw connection
Stripping length	8 mm
Screw thread	M3
Conductor cross-section rigid	0.2 mm ² ... 4 mm ²
Conductor cross-section flexible	0.2 mm ² ... 2.5 mm ²
Conductor cross-section AWG	24 ... 12

Contact side

Connection method	Screw connection
Stripping length	8 mm
Screw thread	M3
Conductor cross-section rigid	0.2 mm ² ... 4 mm ²
Conductor cross-section flexible	0.2 mm ² ... 2.5 mm ²
Conductor cross-section AWG	24 ... 12

EMG 17-REL/SG-B 60/21/P - Relay module



2947491

<https://www.phoenixcontact.com/us/products/2947491>

Dimensions

Width	17.5 mm
Height	75 mm
Depth	62.5 mm

Material specifications

Color	green (RAL 6021)
-------	------------------

Environmental and real-life conditions

Ambient conditions

Ambient temperature (operation)	-40 °C ... 50 °C
Ambient temperature (storage/transport)	-40 °C ... 70 °C

Standards and regulations

Air clearances and creepage distances between the power circuits

Standards/regulations	DIN EN 50178
-----------------------	--------------

Mounting

Mounting type	DIN rail mounting
Assembly note	in rows with zero spacing
Mounting position	any

EMG 17-REL/SG-B 60/21/P - Relay module

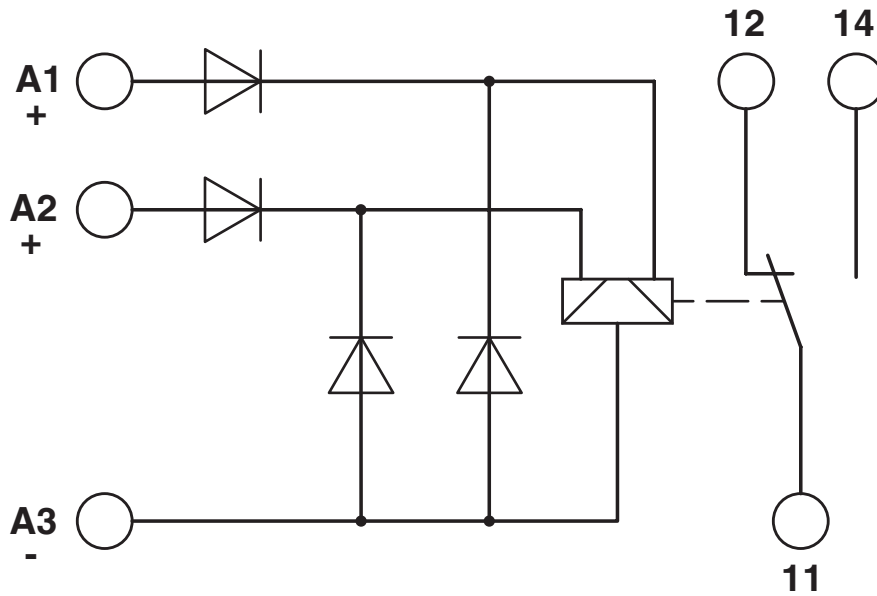


2947491

<https://www.phoenixcontact.com/us/products/2947491>

Drawings

Circuit diagram



EMG 17-REL/SG-B 60/21/P - Relay module



2947491

<https://www.phoenixcontact.com/us/products/2947491>

Environmental product compliance

China RoHS

Environment friendly use period (EFUP)	EFUP-50
	An article-related China RoHS declaration table can be found in the download area for the respective article under "Manufacturer declaration". For all articles with EFUP-E, no China RoHS declaration table issued and required.

EU REACH SVHC

REACH candidate substance (CAS No.)	No substance above 0.1 wt%
-------------------------------------	----------------------------

Phoenix Contact 2026 © - all rights reserved
<https://www.phoenixcontact.com>

Phoenix Contact USA
586 Fulling Mill Road
Middletown, PA 17057, United States
(+717) 944-1300
info@phoenixcon.com