

EMG 75-LG - Electronics housing

2947378

<https://www.phoenixcontact.com/us/products/2947378>

Please be informed that the data shown in this PDF document is generated from our online catalog. Please find the complete data in the user documentation. Our general terms of use for downloads are valid.

Electronic housing, for PCB insertion, without screw connection terminal blocks and cover



Commercial data

Item number	2947378
Packing unit	5 pc
Minimum order quantity	1 pc
Sales key	AC11
Product key	ACHCBA
GTIN	4017918082710
Weight per piece (including packing)	66.55 g
Weight per piece (excluding packing)	66.55 g
Customs tariff number	84879090
Country of origin	DE

EMG 75-LG - Electronics housing

2947378

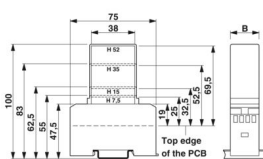
<https://www.phoenixcontact.com/us/products/2947378>

Technical data

Product properties

Product type	Complete housing
Housing type	Component housing
Housing type	Basic housing
Housing series	EMG
Product family	EMG
Type	Lower part of housing, removable cover optional
Number of positions	28
Pitch	5 mm
Ventilation openings present	no

Dimensions

Dimensional drawing	
Width	75 mm
Installed height	47.5 mm
Height NS 35/7,5	55 mm
	83 mm
Depth	75 mm
Length	75 mm
Pitch	5 mm

Material specifications

Color (Housing)	green (RAL 6021)
Material Housing	PC (glass-fiber reinforced)
Flammability rating according to UL 94	V0

Environmental and real-life conditions

Ambient conditions

Ambient temperature (operation)	-40 °C ... 125 °C
---------------------------------	-------------------

Mounting

Mounting type	DIN rail mounting
---------------	-------------------

EMG 75-LG - Electronics housing

2947378

<https://www.phoenixcontact.com/us/products/2947378>



Drawings

Dimensional drawing



1 = Top edge of the PCB

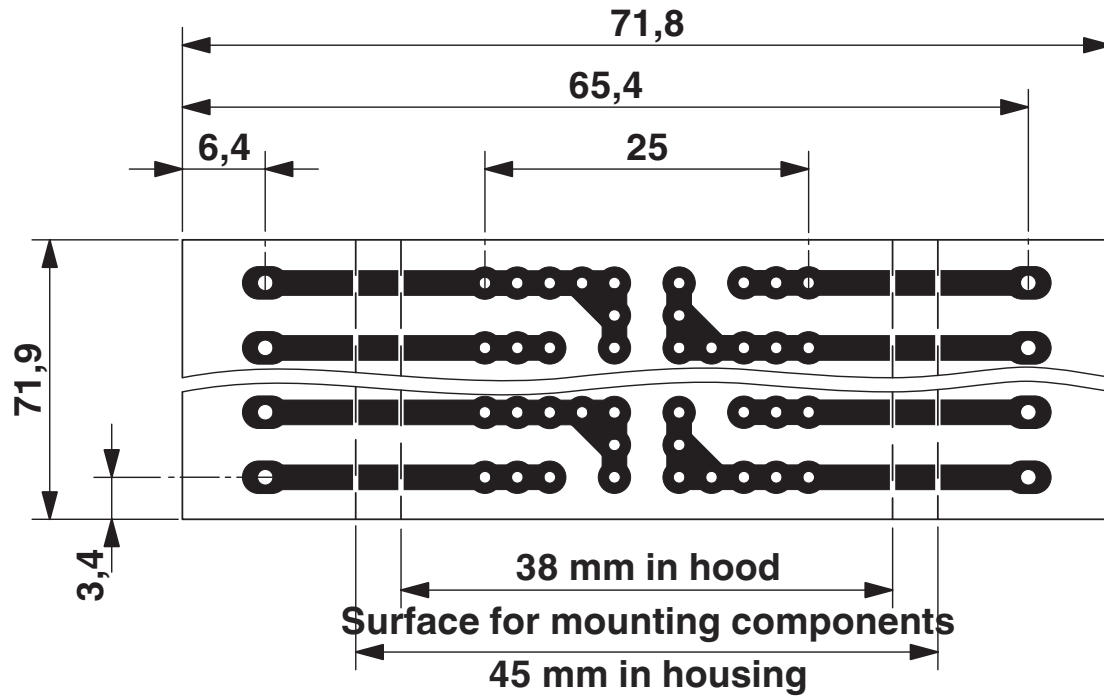
B = Housing width

EMG 75-LG - Electronics housing

2947378

<https://www.phoenixcontact.com/us/products/2947378>

Dimensional drawing



Pitch 5 mm

a = Area for mounting components, 38 mm in the hood

b = Area for mounting components, 45 mm in the housing

EMG 75-LG - Electronics housing

2947378

<https://www.phoenixcontact.com/us/products/2947378>



Classifications

ECLASS

ECLASS-13.0	27190101
ECLASS-15.0	27190101

ETIM

ETIM 10.0	EC001031
-----------	----------

UNSPSC

UNSPSC 21.0	31261500
-------------	----------

EMG 75-LG - Electronics housing



2947378

<https://www.phoenixcontact.com/us/products/2947378>

Environmental product compliance

EU RoHS

Fulfills EU RoHS substance requirements	Yes, No exemptions
---	--------------------

China RoHS

Environment friendly use period (EFUP)	EFUP-E
	No hazardous substances above the limits

EU REACH SVHC

REACH candidate substance (CAS No.)	No substance above 0.1 wt%
-------------------------------------	----------------------------

Phoenix Contact 2026 © - all rights reserved
<https://www.phoenixcontact.com>

Phoenix Contact USA
586 Fulling Mill Road
Middletown, PA 17057, United States
(+717) 944-1300
info@phoenixcon.com