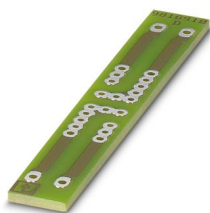


P 1-EMG 12 - Electronics housing

2947187

<https://www.phoenixcontact.com/us/products/2947187>

Please be informed that the data shown in this PDF document is generated from our online catalog. Please find the complete data in the user documentation. Our general terms of use for downloads are valid.



PCB for assembling electronic components

Commercial data

Item number	2947187
Packing unit	5 pc
Minimum order quantity	5 pc
Note	Made to order (non-returnable)
Sales key	AC11
Product key	ACHCBZ
GTIN	4017918082659
Weight per piece (including packing)	4.6 g
Weight per piece (excluding packing)	4.6 g
Customs tariff number	85340019
Country of origin	DE

P 1-EMG 12 - Electronics housing

2947187

<https://www.phoenixcontact.com/us/products/2947187>

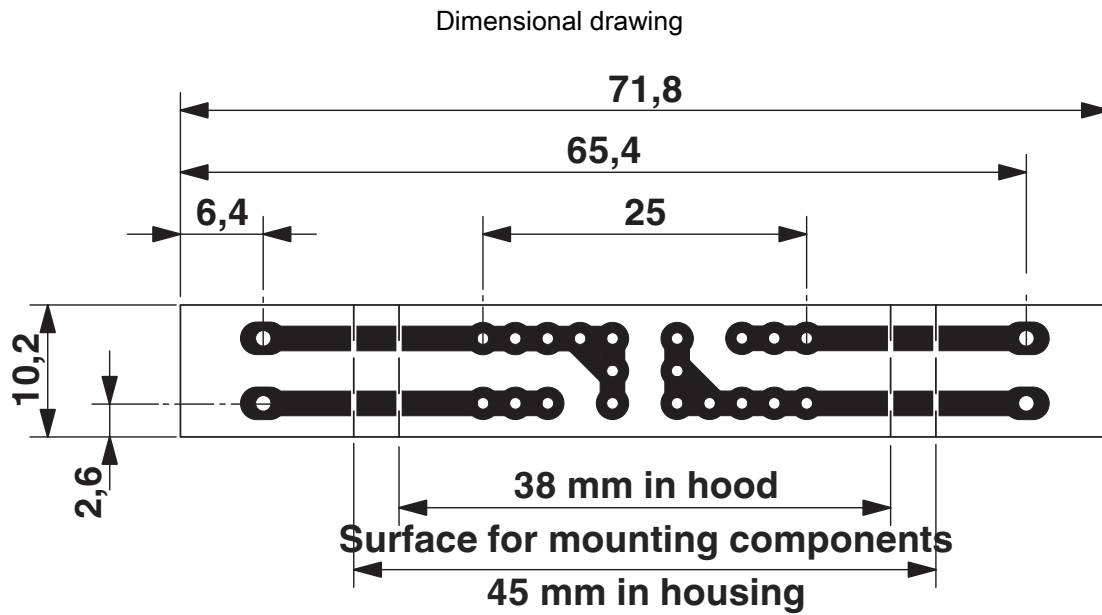


Technical data

Product properties

Product type	PCB
--------------	-----

Drawings



Pitch 5 mm

a = Area for mounting components, 38 mm in the hood

b = Area for mounting components, 45 mm in the housing

P 1-EMG 12 - Electronics housing



2947187

<https://www.phoenixcontact.com/us/products/2947187>

Environmental product compliance

EU RoHS

Fulfills EU RoHS substance requirements	Yes, No exemptions
---	--------------------

China RoHS

Environment friendly use period (EFUP)	EFUP-E
	No hazardous substances above the limits

EU REACH SVHC

REACH candidate substance (CAS No.)	No substance above 0.1 wt%
-------------------------------------	----------------------------

Phoenix Contact 2026 © - all rights reserved
<https://www.phoenixcontact.com>

Phoenix Contact USA
586 Fulling Mill Road
Middletown, PA 17057, United States
(+717) 944-1300
info@phoenixcon.com