

# EMG 17-OV-220DC/ 24DC/2 - Solid-state relay module



2946832

<https://www.phoenixcontact.com/us/products/2946832>

Please be informed that the data shown in this PDF document is generated from our online catalog. Please find the complete data in the user documentation. Our general terms of use for downloads are valid.



Power solid-state relay, with LED and protective circuit in input and output circuits, input: 220 V DC, output: short-circuit-proof, 10 - 30 V DC/max. 2 A

## Commercial data

Item number	2946832
Packing unit	10 pc
Minimum order quantity	1 pc
Note	Made to order (non-returnable)
Product key	DK61C2
GTIN	4017918082475
Weight per piece (including packing)	57.61 g
Weight per piece (excluding packing)	57.61 g
Country of origin	DE

## Technical data

### Product properties

Product type	Solid-state relay module
Application	Output function
Operating mode	100% operating factor

### Insulation characteristics

Insulation	Basic insulation
Overvoltage category	III
Pollution degree	2

### Data management status

Date of last data management	01.04.2026
------------------------------	------------

### Electrical properties

Test voltage (Input/output)	2.5 kV AC (Input/output)
-----------------------------	--------------------------

### Input data

Nominal input voltage $U_N$	220 V DC
Input voltage range in reference to $U_N$	0.8 ... 1.2
Input voltage range	176 V DC ... 264 V DC
Switching threshold "0" signal in reference to $U_N$	$\leq 0.4$
Switching threshold "1" signal in reference to $U_N$	$\geq 0.8$
Typical input current at $U_N$	1.7 mA
Typical response time	130 $\mu$ s
Typical turn-off time	180 $\mu$ s
Status display	LED (yellow)
Protective circuit	Reverse polarity protection; Polarity protection diode Surge protection; Varistor
Transmission frequency	1000 Hz

### Output data

Design of digital output	electronic
Output nominal voltage	24 V DC
Output voltage range	10 V DC ... 30 V DC
Limiting continuous current	2 A (see derating curve)
Leakage current	150 $\mu$ A
Peak offstate voltage	33 V DC (Collector-emitter reverse voltage)
Current limitation at short-circuits	> 2 A (short-circuit-proof)
Voltage drop at max. limiting continuous current	$\leq 0.3$ V
Output circuit	3-conductor, ground-referenced
Error indication	Red LED Reverse polarity protection; Polarity protection diode

2946832

<https://www.phoenixcontact.com/us/products/2946832>

Protective circuit	Free running; Freewheeling diode
	Surge protection; Suppressor diode

## Connection data

### Input side

Connection method	Screw connection
Stripping length	8 mm
Screw thread	M3
Conductor cross-section rigid	0.2 mm <sup>2</sup> ... 4 mm <sup>2</sup>
Conductor cross-section flexible	0.2 mm <sup>2</sup> ... 2.5 mm <sup>2</sup>
Conductor cross-section AWG	24 ... 12

### Output side

Connection method	Screw connection
Stripping length	8 mm
Screw thread	M3
Conductor cross-section rigid	0.2 mm <sup>2</sup> ... 4 mm <sup>2</sup>
Conductor cross-section flexible	0.2 mm <sup>2</sup> ... 2.5 mm <sup>2</sup>
Conductor cross-section AWG	24 ... 12

## Dimensions

Width	17.5 mm
Height	75 mm
Depth	102 mm

## Material specifications

Color	green (RAL 6021)
Flammability rating according to UL 94	V0

## Environmental and real-life conditions

### Ambient conditions

Degree of protection	IP20
Ambient temperature (operation)	-20 °C ... 60 °C
Ambient temperature (storage/transport)	-20 °C ... 70 °C

## Standards and regulations

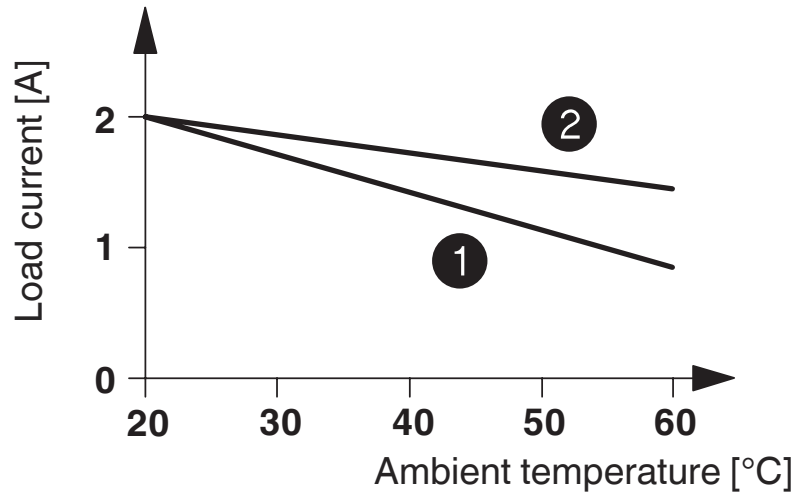
Standards/regulations	IEC 60664
	EN 50178

## Mounting

Mounting type	DIN rail mounting
Assembly note	in rows with zero spacing
Mounting position	any

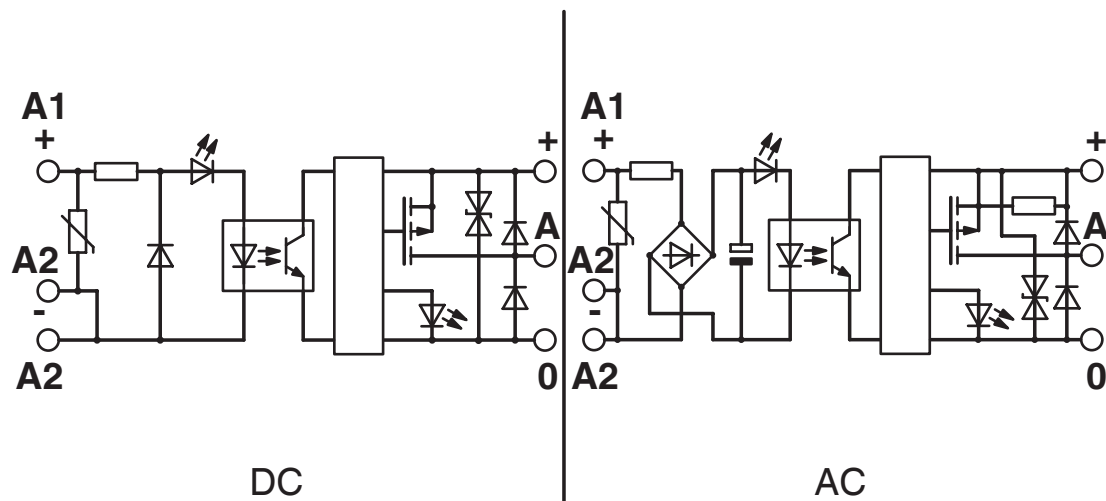
## Drawings

Diagram



- ① In rows with zero spacing
- ② stand-alone device

Circuit diagram



2946832

<https://www.phoenixcontact.com/us/products/2946832>

## Environmental product compliance

### China RoHS

Environment friendly use period (EFUP)	EFUP-50
	An article-related China RoHS declaration table can be found in the download area for the respective article under "Manufacturer declaration". For all articles with EFUP-E, no China RoHS declaration table issued and required.

### EU REACH SVHC

REACH candidate substance (CAS No.)	No substance above 0.1 wt%
-------------------------------------	----------------------------

Phoenix Contact 2026 © - all rights reserved  
<https://www.phoenixcontact.com>

Phoenix Contact USA  
586 Fulling Mill Road  
Middletown, PA 17057, United States  
(+717) 944-1300  
[info@phoenixcon.com](mailto:info@phoenixcon.com)