

# EMG 17-REL/SG-B 48/21/P - Relay module



2946654

<https://www.phoenixcontact.com/us/products/2946654>

Please be informed that the data shown in this PDF document is generated from our online catalog. Please find the complete data in the user documentation. Our general terms of use for downloads are valid.



Relay module, with soldered-in remanence miniature switching relay, with positive switching diode wiring, contacts (AgSnO): small to large loads, 1 changeover contact, input voltage 48 V DC

The figure shows version EMG 17-REL, with soldered-in Latching miniature switching relay

## Commercial data

Item number	2946654
Packing unit	10 pc
Minimum order quantity	10 pc
Note	Made to order (non-returnable)
Sales key	C460
Product key	DK61C2
GTIN	4017918118037
Weight per piece (including packing)	46.47 g
Weight per piece (excluding packing)	46.94 g
Customs tariff number	85364190
Country of origin	DE

# EMG 17-REL/SG-B 48/21/P - Relay module



2946654

<https://www.phoenixcontact.com/us/products/2946654>

## Technical data

### Notes

#### Utilization restriction

EMC note	EMC: class A product, see manufacturer's declaration in the download area
----------	---

### Product properties

Product type	Relay Module
Product family	EMG
Application	Universal
Operating mode	100% operating factor
Mechanical service life	approx. $10^7$ cycles

#### Insulation characteristics: Air clearances and creepage distances between the power circuits

Insulation	Safe isolation, reinforced insulation
Overvoltage category	III
Pollution degree	2

#### Insulation characteristics

Overvoltage category	III
Pollution degree	2

#### Data management status

Date of last data management	01.04.2026
------------------------------	------------

### Electrical properties

Maximum power dissipation for nominal condition	0.41 W
Test voltage (Winding/contact)	4 kV <sub>rms</sub> (50 Hz, 1 min., winding/contact)

#### Air clearances and creepage distances between the power circuits

Rated insulation voltage	250 V AC
Rated surge voltage	4 kV

### Input data

#### Coil side

Nominal input voltage $U_N$	48 V DC
Input voltage range	38.4 V DC ... 52.8 V DC (20 °C)
Drive and function	bistable
Drive (polarity)	polarized
Typical input current at $U_N$	typ. 8.5 mA
Typical response time	5 ms
Typical release time	5 ms
Pulse time range	30 ms ... 5 s
Coil voltage	24 V DC

# EMG 17-REL/SG-B 48/21/P - Relay module



2946654

<https://www.phoenixcontact.com/us/products/2946654>

Protective circuit	Freewheeling diode; Freewheeling diode
	Reverse polarity protection; Polarity protection diode

## Output data

### Switching

Contact switching type	1 changeover contact
Type of switch contact	Single contact
Contact material	AgSnO
Maximum switching voltage	250 V AC/DC
Minimum switching voltage	5 V (at 100 mA)
	24 V (At 1 mA)
Limiting continuous current	6 A
Maximum inrush current	8 A
Min. switching current	1 mA (at 24 V)
	100 mA (At 5 V)
Interrupting rating (ohmic load) max.	144 W (at 24 V DC)
	43 W (at 48 V DC)
	42 W (at 60 V DC)
	55 W (at 110 V DC)
	100 W (at 220 V DC)
	1500 VA (for 250 V AC)

### Switching: when the gold layer is destroyed

Maximum switching voltage	250 V AC/DC
Limiting continuous current	6 A
Maximum inrush current	8 A
Interrupting rating (ohmic load) max.	140 W (at 24 V DC)
	40 W (at 48 V DC)
	35 W (at 60 V DC)
	30 W (at 110 V DC)
	55 W (at 220 V DC)
	1500 VA (for 250 V AC)

## Connection data

### Coil side

Connection method	Screw connection
Stripping length	8 mm
Screw thread	M3
Conductor cross-section rigid	0.2 mm <sup>2</sup> ... 4 mm <sup>2</sup>
Conductor cross-section flexible	0.2 mm <sup>2</sup> ... 2.5 mm <sup>2</sup>
Conductor cross-section AWG	24 ... 12

### Contact side

Connection method	Screw connection
-------------------	------------------

# EMG 17-REL/SG-B 48/21/P - Relay module



2946654

<https://www.phoenixcontact.com/us/products/2946654>

Stripping length	8 mm
Screw thread	M3
Conductor cross-section rigid	0.2 mm <sup>2</sup> ... 4 mm <sup>2</sup>
Conductor cross-section flexible	0.2 mm <sup>2</sup> ... 2.5 mm <sup>2</sup>
Conductor cross-section AWG	24 ... 12

## Dimensions

### Item dimensions

Width	17.5 mm
Height	75 mm
Depth	62.5 mm

## Material specifications

Color	green (RAL 6021)
-------	------------------

## Environmental and real-life conditions

### Ambient conditions

Ambient temperature (operation)	-40 °C ... 50 °C
Ambient temperature (storage/transport)	-40 °C ... 70 °C

## Standards and regulations

### Air clearances and creepage distances between the power circuits

Standards/regulations	DIN EN 50178
-----------------------	--------------

## Mounting

Mounting type	DIN rail mounting
Assembly note	in rows with zero spacing
Mounting position	any

# EMG 17-REL/SG-B 48/21/P - Relay module

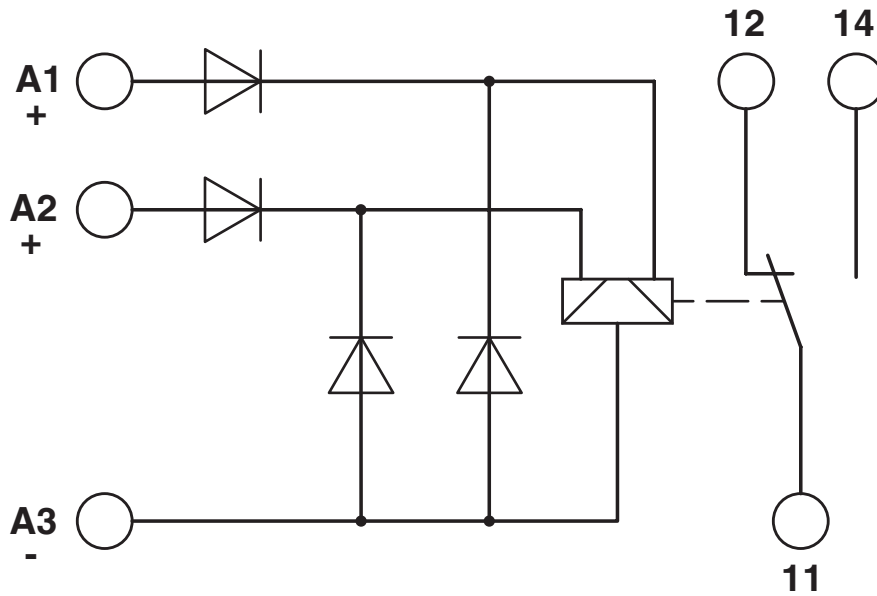


2946654

<https://www.phoenixcontact.com/us/products/2946654>

## Drawings

Circuit diagram



# EMG 17-REL/SG-B 48/21/P - Relay module



2946654

<https://www.phoenixcontact.com/us/products/2946654>

## Approvals

To download certificates, visit the product detail page: <https://www.phoenixcontact.com/us/products/2946654>



**EAC**

Approval ID: RU\*C-DE.\*08.B.00010

# EMG 17-REL/SG-B 48/21/P - Relay module



2946654

<https://www.phoenixcontact.com/us/products/2946654>

## Classifications

### ECLASS

ECLASS-13.0	27371601
ECLASS-15.0	27371601

### ETIM

ETIM 10.0	EC001437
-----------	----------

### UNSPSC

UNSPSC 21.0	39122300
-------------	----------

2946654

<https://www.phoenixcontact.com/us/products/2946654>

## Environmental product compliance

### EU RoHS

Fulfills EU RoHS substance requirements	Yes
Exemption	6(c), 7(a), 7(c)-I

### China RoHS

Environment friendly use period (EFUP)	EFUP-50
	An article-related China RoHS declaration table can be found in the download area for the respective article under "Manufacturer declaration". For all articles with EFUP-E, no China RoHS declaration table issued and required.

### EU REACH SVHC

REACH candidate substance (CAS No.)	Lead(CAS: 7439-92-1)
SCIP	61a7def1-2f5c-4146-87b1-56032ebd7fbf

### EF3.1 Climate Change

CO2e kg	1.718 kg CO2e
---------	---------------

Phoenix Contact 2026 © - all rights reserved  
<https://www.phoenixcontact.com>

Phoenix Contact USA  
586 Fulling Mill Road  
Middletown, PA 17057, United States  
(+717) 944-1300  
[info@phoenixcon.com](mailto:info@phoenixcon.com)