

EMG 17-B3 - Electronics housing



2946081

<https://www.phoenixcontact.com/us/products/2946081>

Please be informed that the data shown in this PDF document is generated from our online catalog. Please find the complete data in the user documentation. Our general terms of use for downloads are valid.

Custom circuit module, consisting of housing, MKDS 3 connection terminal blocks and PCB



Commercial data

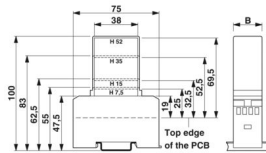
Item number	2946081
Packing unit	10 pc
Minimum order quantity	1 pc
Sales key	AC11
Product key	ACHCBA
GTIN	4017918082048
Weight per piece (including packing)	34.183 g
Weight per piece (excluding packing)	34.39 g
Customs tariff number	85369010
Country of origin	DE

Technical data

Product properties

Product type	Stackable housing set
Housing type	Component housing
Housing series	EMG
Product family	EMG
Type	Lower housing part, removable cover as option, connection system integrated, PCB integrated
Number of positions	6
Pitch	5 mm
Ventilation openings present	no

Dimensions

Dimensional drawing	
Width	22.5 mm
Installed height	47.5 mm
Height NS 35/7,5	55 mm 83 mm 100 mm
Depth	75 mm
Length	75 mm
Pitch	5 mm

Material specifications

Color (Housing)	green (RAL 6021)
Material Housing	PC (glass-fiber reinforced)
Flammability rating according to UL 94	V0
Surface characteristics	untreated

Environmental and real-life conditions

Ambient conditions

Degree of protection	IP20
Ambient temperature (operation)	-40 °C ... 125 °C

Mounting

Mounting type	DIN rail mounting
---------------	-------------------

EMG 17-B3 - Electronics housing

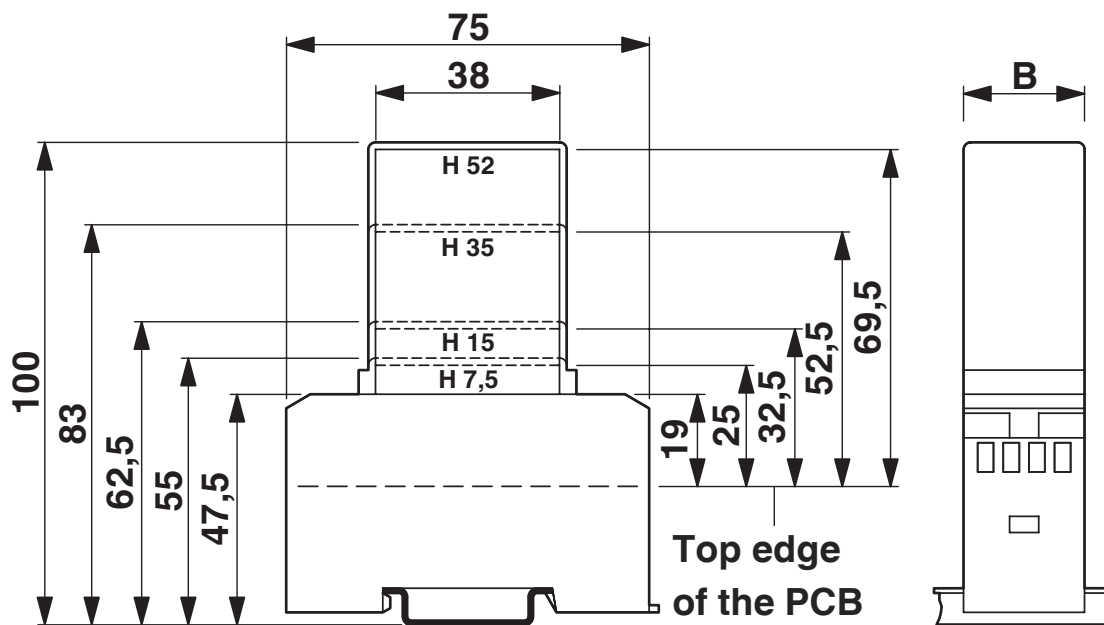
2946081

<https://www.phoenixcontact.com/us/products/2946081>



Drawings

Dimensional drawing



1 = Top edge of the PCB

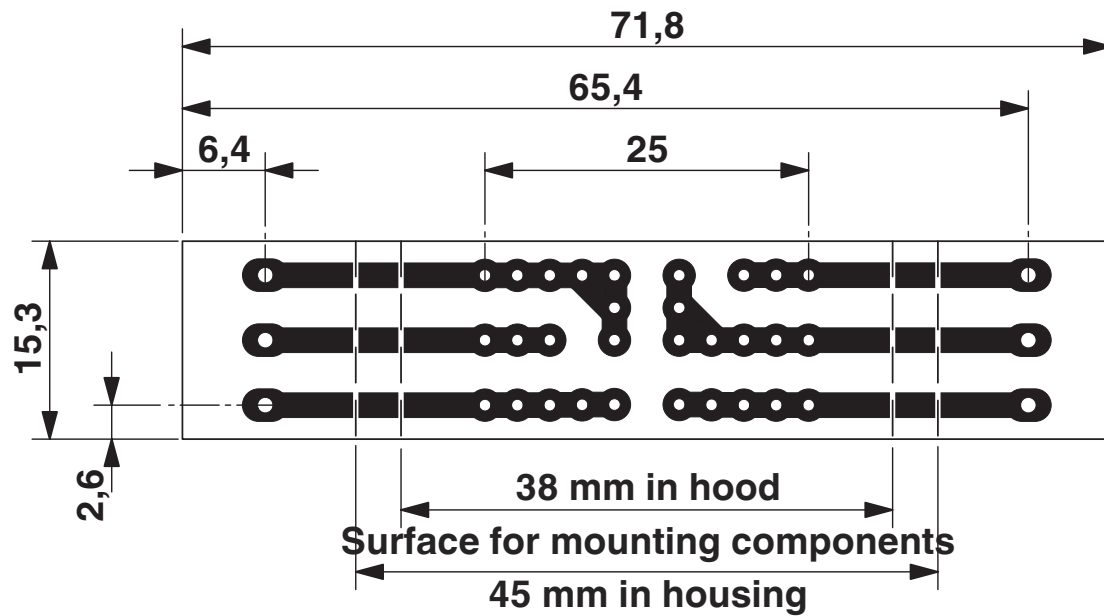
B = Housing width

EMG 17-B3 - Electronics housing

2946081

<https://www.phoenixcontact.com/us/products/2946081>

Dimensional drawing



Pitch 5 mm

a = Area for mounting components, 38 mm in the hood

b = Area for mounting components, 45 mm in the housing

EMG 17-B3 - Electronics housing



2946081

<https://www.phoenixcontact.com/us/products/2946081>

Classifications

ECLASS

ECLASS-13.0	27190301
ECLASS-15.0	27190301

ETIM

ETIM 10.0	EC001031
-----------	----------

UNSPSC

UNSPSC 21.0	31261500
-------------	----------

EMG 17-B3 - Electronics housing



2946081

<https://www.phoenixcontact.com/us/products/2946081>

Environmental product compliance

EU RoHS

Fulfills EU RoHS substance requirements	Yes, No exemptions
---	--------------------

China RoHS

Environment friendly use period (EFUP)	EFUP-E
	No hazardous substances above the limits

EU REACH SVHC

REACH candidate substance (CAS No.)	No substance above 0.1 wt%
-------------------------------------	----------------------------

Phoenix Contact 2026 © - all rights reserved
<https://www.phoenixcontact.com>

Phoenix Contact USA
586 Fulling Mill Road
Middletown, PA 17057, United States
(+717) 944-1300
info@phoenixcon.com