

EMG 17-LG - Electronics housing



2946078

<https://www.phoenixcontact.com/us/products/2946078>

Please be informed that the data shown in this PDF document is generated from our online catalog. Please find the complete data in the user documentation. Our general terms of use for downloads are valid.



Electronic housing, with universal foot, for p.c.b. insertion, without screw connection terminal blocks and cover, pitch 5

Commercial data

Item number	2946078
Packing unit	10 pc
Minimum order quantity	1 pc
Sales key	AC11
Product key	ACHCBA
GTIN	4017918082031
Weight per piece (including packing)	17.94 g
Weight per piece (excluding packing)	17 g
Customs tariff number	84879090
Country of origin	DE

EMG 17-LG - Electronics housing

2946078

<https://www.phoenixcontact.com/us/products/2946078>



Drawings

Dimensional drawing



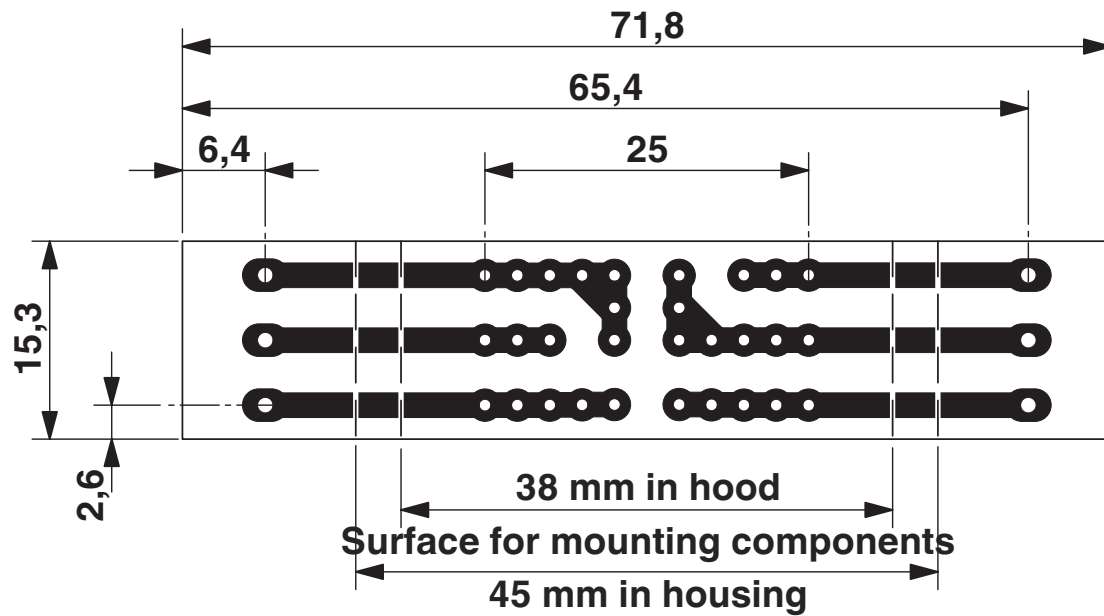
1 = Top edge of the PCB
B = Housing width

EMG 17-LG - Electronics housing

2946078

<https://www.phoenixcontact.com/us/products/2946078>

Dimensional drawing



Pitch 5 mm

a = Area for mounting components, 38 mm in the hood

b = Area for mounting components, 45 mm in the housing

EMG 17-LG - Electronics housing

2946078

<https://www.phoenixcontact.com/us/products/2946078>



Classifications

ECLASS

ECLASS-13.0	27190101
ECLASS-15.0	27190101

ETIM

ETIM 10.0	EC001031
-----------	----------

UNSPSC

UNSPSC 21.0	31261500
-------------	----------

EMG 17-LG - Electronics housing



2946078

<https://www.phoenixcontact.com/us/products/2946078>

Environmental product compliance

EU RoHS

Fulfills EU RoHS substance requirements	Yes, No exemptions
---	--------------------

China RoHS

Environment friendly use period (EFUP)	EFUP-E
	No hazardous substances above the limits

EU REACH SVHC

REACH candidate substance (CAS No.)	No substance above 0.1 wt%
-------------------------------------	----------------------------

EF3.1 Climate Change

CO2e kg	0.141 kg CO2e
---------	---------------

Phoenix Contact 2026 © - all rights reserved
<https://www.phoenixcontact.com>

Phoenix Contact USA
586 Fulling Mill Road
Middletown, PA 17057, United States
(+717) 944-1300
info@phoenixcon.com