

# CM 62-LG/H 35/BO BK - Electronics housing



2944863

<https://www.phoenixcontact.com/us/products/2944863>

Please be informed that the data shown in this PDF document is generated from our online catalog. Please find the complete data in the user documentation. Our general terms of use for downloads are valid.



The figure shows versions CM 62-LG/H 35/BO and CM 90-LG/H 12,5 BO

Component housing, Complete housing, with vents, width: 62 mm, depth: 75 mm, color: black (similar RAL 9005), cross connection: without bus connector, number of positions cross connector: not relevant

## Commercial data

|                                      |                                |
|--------------------------------------|--------------------------------|
| Item number                          | 2944863                        |
| Packing unit                         | 1 pc                           |
| Minimum order quantity               | 1 pc                           |
| Note                                 | Made to order (non-returnable) |
| Sales key                            | AC11                           |
| Product key                          | ACHCDA                         |
| GTIN                                 | 4017918081720                  |
| Weight per piece (including packing) | 104.6 g                        |
| Weight per piece (excluding packing) | 104.6 g                        |
| Customs tariff number                | 84879090                       |
| Country of origin                    | DE                             |

2944863

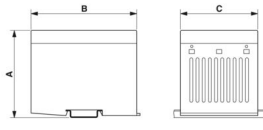
<https://www.phoenixcontact.com/us/products/2944863>

## Technical data

### Product properties

|                |                                   |
|----------------|-----------------------------------|
| Product type   | Complete housing                  |
| Housing type   | Component housing                 |
| Product family | CM LG                             |
| Type           | Housing closed, ventilation slots |

### Dimensions

|                     |  |
|---------------------|--|
| Dimensional drawing |  |
| Width               | 62 mm  |
| Depth               | 75 mm  |

### Material specifications

|  |                                |
|--|--------------------------------|
| Color                                  | black (RAL 9005)               |
| Flammability rating according to UL 94 | V0                             |
| Housing material                       | Polycarbonate fiber reinforced |

### Environmental and real-life conditions

#### Ambient conditions

|                                 |  |
|---------------------------------|--|
| Ambient temperature (operation) | -40 °C ... 105 °C (depending on power dissipation) |
|---------------------------------|--|

# CM 62-LG/H 35/BO BK - Electronics housing

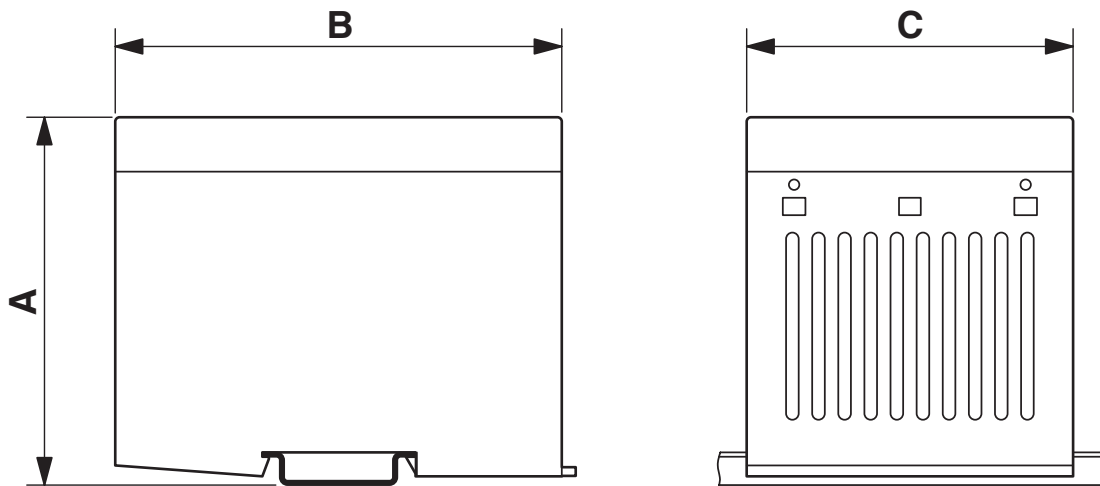


2944863

<https://www.phoenixcontact.com/us/products/2944863>

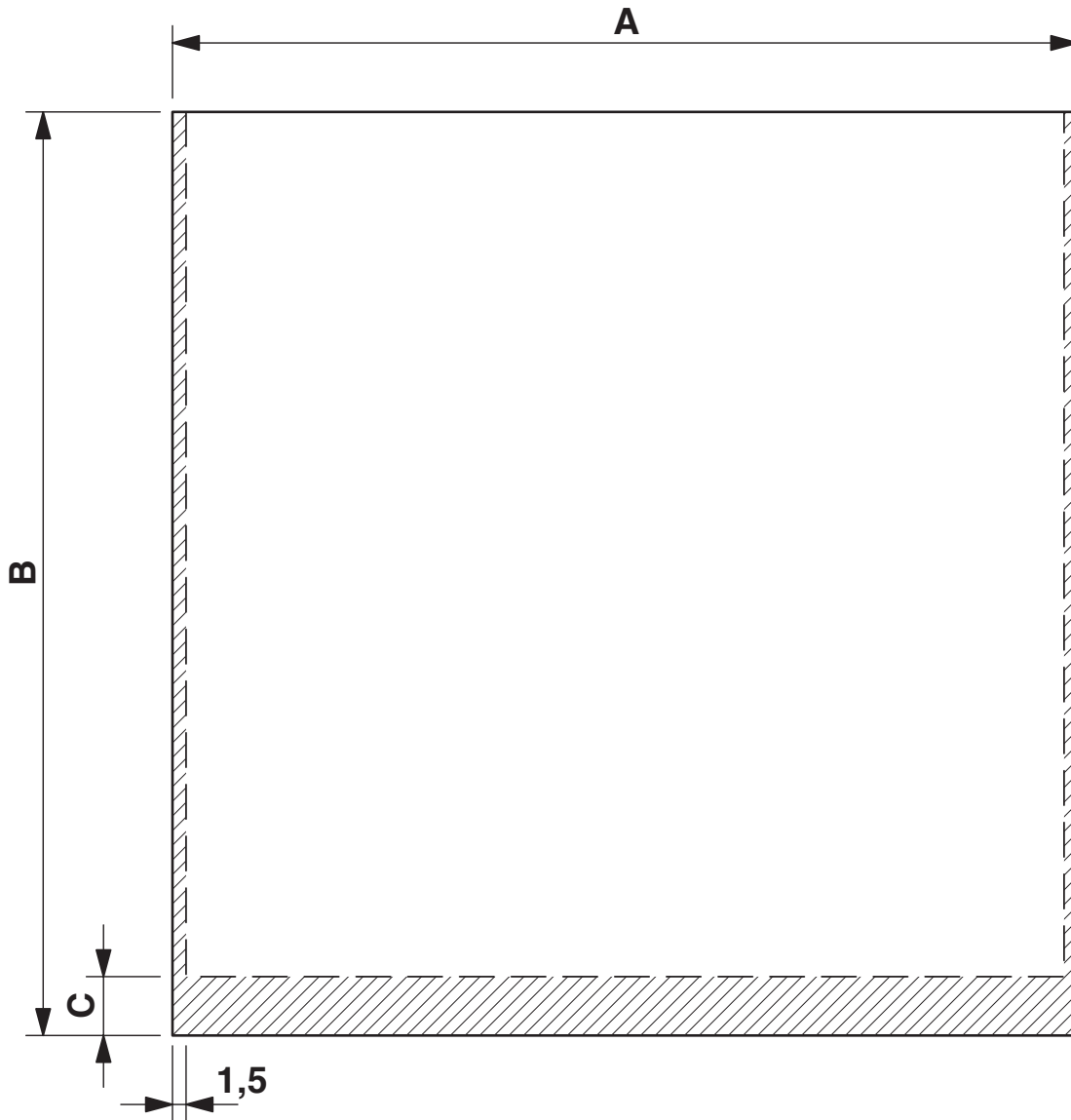
## Drawings

Dimensional drawing



Dimension A: 108 mm; dimension B: 75 mm; dimension C: 62 mm

Dimensional drawing



PCB 1, 7: Dimension A: 72.5 mm; B: 96.0 mm; C: 0 mm  
PCB 8, 13: Dimension A: 60.0 mm; B: 96.0 mm; C: 0 mm

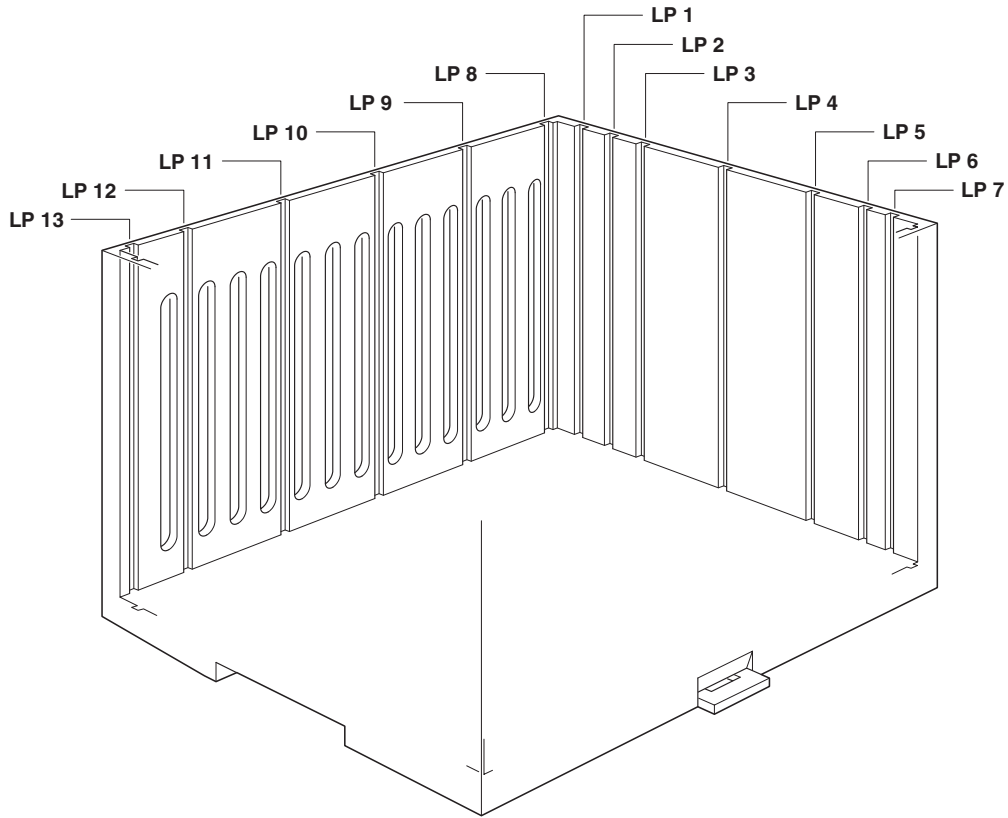
# CM 62-LG/H 35/BO BK - Electronics housing



2944863

<https://www.phoenixcontact.com/us/products/2944863>

Schematic diagram



# CM 62-LG/H 35/BO BK - Electronics housing

2944863

<https://www.phoenixcontact.com/us/products/2944863>



## Classifications

### UNSPSC

|             |          |
|-------------|----------|
| UNSPSC 21.0 | 31261500 |
|-------------|----------|

# CM 62-LG/H 35/BO BK - Electronics housing



2944863

<https://www.phoenixcontact.com/us/products/2944863>

## Environmental product compliance

### China RoHS

|  |  |
|--|--|
| Environment friendly use period (EFUP) | EFUP-E                                   |
|  | No hazardous substances above the limits |

### EU REACH SVHC

|                                     |                            |
|-------------------------------------|----------------------------|
| REACH candidate substance (CAS No.) | No substance above 0.1 wt% |
|-------------------------------------|----------------------------|

Phoenix Contact 2026 © - all rights reserved  
<https://www.phoenixcontact.com>

Phoenix Contact USA  
586 Fulling Mill Road  
Middletown, PA 17057, United States  
(+717) 944-1300  
[info@phoenixcon.com](mailto:info@phoenixcon.com)