

# EM-MPG 45 - Mounting panel

2944177

<https://www.phoenixcontact.com/us/products/2944177>

Please be informed that the data shown in this PDF document is generated from our online catalog. Please find the complete data in the user documentation. Our general terms of use for downloads are valid.



Mounting panel, closed design, for snapping on size 0 switching devices

## Commercial data

Item number	2944177
Packing unit	1 pc
Note	Made to order (non-returnable)
Sales key	AC06
Product key	ACGEAB
GTIN	4017918081485
Weight per piece (including packing)	69.92 g
Weight per piece (excluding packing)	69.92 g
Customs tariff number	39269097
Country of origin	DE

# EM-MPG 45 - Mounting panel

2944177

<https://www.phoenixcontact.com/us/products/2944177>

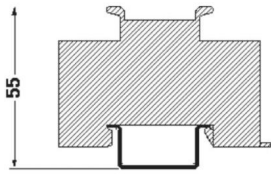


## Technical data

### Product properties

Housing type	DIN rail adapter
Type	enclosed version

### Dimensions

Dimensional drawing	
Width	45 mm
Length	68 mm

### Material specifications

Color	green
Flammability rating according to UL 94	V2
Housing material	Polyamide fiber reinforced

### Environmental and real-life conditions

#### Ambient conditions

Ambient temperature (operation)	-40 °C ... 105 °C
---------------------------------	-------------------

# EM-MPG 45 - Mounting panel

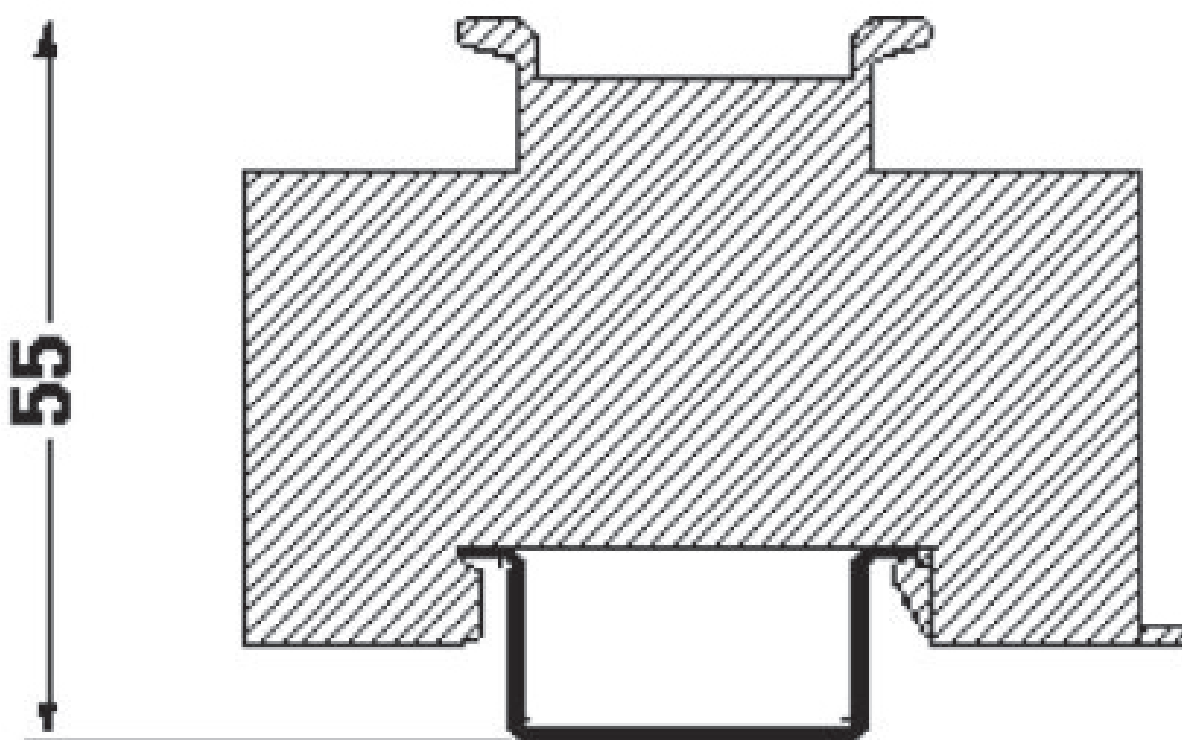
2944177

<https://www.phoenixcontact.com/us/products/2944177>



## Drawings

Dimensional drawing



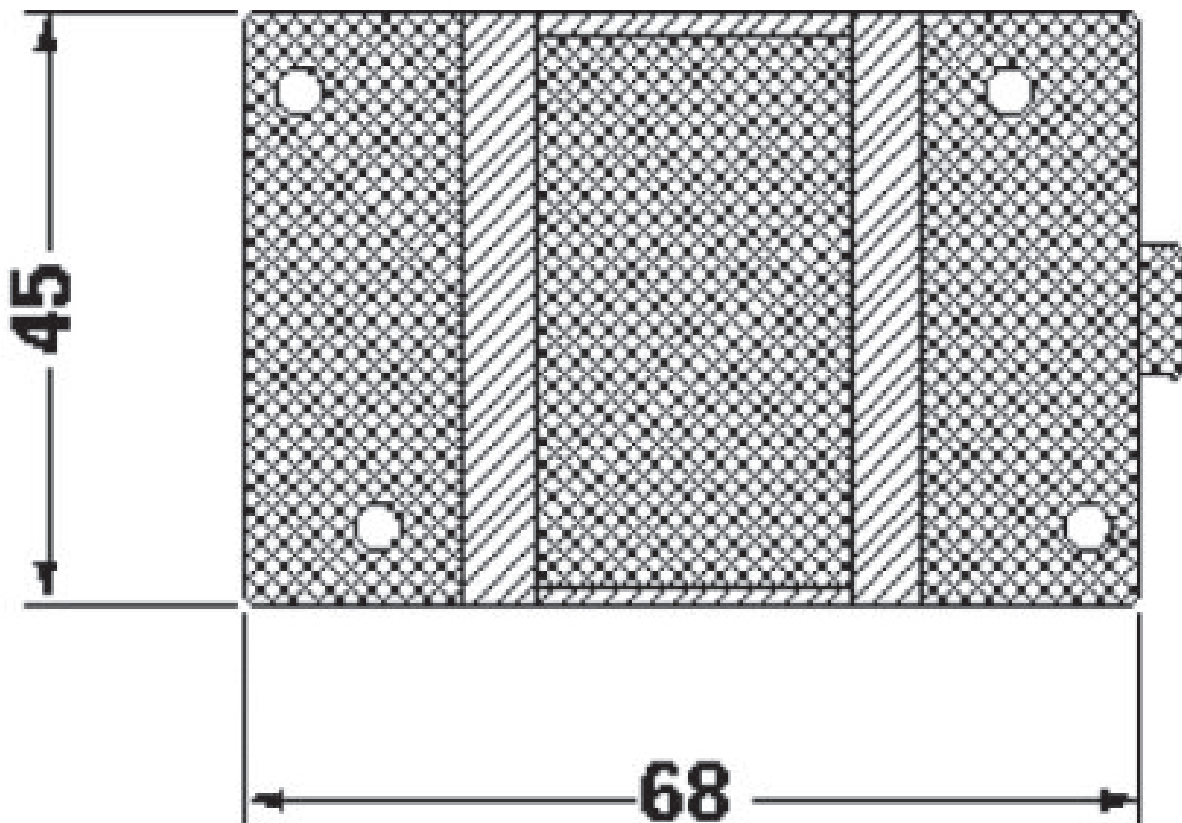
# EM-MPG 45 - Mounting panel

2944177

<https://www.phoenixcontact.com/us/products/2944177>



Dimensional drawing



# EM-MPG 45 - Mounting panel

2944177

<https://www.phoenixcontact.com/us/products/2944177>



## Environmental product compliance

EU REACH SVHC

REACH candidate substance (CAS No.)	
-------------------------------------	--

	No substance above 0.1 wt%
--	----------------------------

Phoenix Contact 2026 © - all rights reserved

<https://www.phoenixcontact.com>

Phoenix Contact USA  
586 Fulling Mill Road  
Middletown, PA 17057, United States  
(+717) 944-1300  
[info@phoenixcon.com](mailto:info@phoenixcon.com)