

EMG 30-NZG/G24/SI - Power supply



2943932

<https://www.phoenixcontact.com/us/products/2943932>

Please be informed that the data shown in this PDF document is generated from our online catalog. Please find the complete data in the user documentation. Our general terms of use for downloads are valid.



Voltage regulator module with fixed-voltage regulator, input 24 V-29 V AC/ 28 V-38 V DC, output 24 V DC/0.5 A

Commercial data

| | |
|--------------------------------------|--------------------------------|
| Item number | 2943932 |
| Packing unit | 1 pc |
| Note | Made to order (non-returnable) |
| Sales key | CM11 |
| Product key | CMPL93 |
| GTIN | 4017918081409 |
| Weight per piece (including packing) | 115 g |
| Weight per piece (excluding packing) | 115 g |
| Customs tariff number | 85044082 |
| Country of origin | DE |

EMG 30-NZG/G24/SI - Power supply



2943932

<https://www.phoenixcontact.com/us/products/2943932>

Technical data

Product properties

| | |
|----------------|-----------------------|
| Operating mode | 100% operating factor |
|----------------|-----------------------|

Input data

| | |
|-----------------------------|-------------------------------|
| Input voltage | 27 V AC 5 % |
| Nominal input voltage range | 27 V AC ... 28.4 V AC |
| AC frequency range | 60 Hz ... 50 Hz |
| Nominal power consumption | approx. 20 VA |
| Input fuse | 0.63 A (normal-blow (5 x 20)) |

Output data

| | |
|----------------------------------|--|
| Nominal output voltage | 24 V DC ± 4 % |
| Nominal output current (I_N) | 0.5 A |
| Residual ripple | ≤ 60 mV _{PP} |
| Protective circuit | Thermo-electronic disconnect; Varistor |

Connection data

Input

| | |
|---------------------------------------|---------------------|
| Connection method | Screw connection |
| Conductor cross-section, rigid min. | 0.2 mm ² |
| Conductor cross-section, rigid max. | 4 mm ² |
| Conductor cross-section flexible min. | 0.2 mm ² |
| Conductor cross-section flexible max. | 2.5 mm ² |
| Conductor cross-section AWG min. | 24 |
| Conductor cross-section AWG max. | 14 |
| Stripping length | 8 mm |
| Screw thread | M3 |

Output

| | |
|---------------------------------------|---------------------|
| Connection method | Screw connection |
| Conductor cross-section, rigid min. | 0.2 mm ² |
| Conductor cross-section, rigid max. | 4 mm ² |
| Conductor cross-section flexible min. | 0.2 mm ² |
| Conductor cross-section flexible max. | 2.5 mm ² |
| Conductor cross-section AWG min. | 24 |
| Conductor cross-section AWG max. | 14 |
| Stripping length | 8 mm |
| Screw thread | M3 |

Signaling

| | |
|---------------------------|-----------|
| Operating voltage display | Green LED |
|---------------------------|-----------|

EMG 30-NZG/G24/SI - Power supply



2943932

<https://www.phoenixcontact.com/us/products/2943932>

Dimensions

| | |
|--------|---------|
| Width | 32 mm |
| Height | 67.1 mm |
| Depth | 75 mm |

Environmental and real-life conditions

Ambient conditions

| | |
|---------------------------------|----------------|
| Degree of protection | IP20 |
| Ambient temperature (operation) | 0 °C ... 55 °C |

Mounting

| | |
|-------------------|------------------------------------|
| Assembly note | can be aligned with spacing = 5 mm |
| Mounting position | vertical, horizontal |

EMG 30-NZG/G24/SI - Power supply

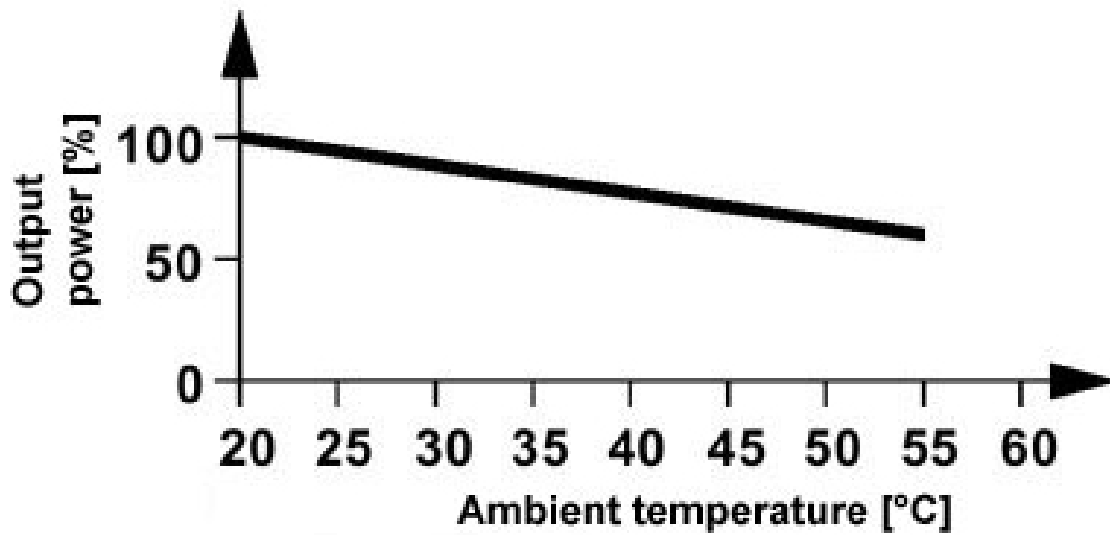


2943932

<https://www.phoenixcontact.com/us/products/2943932>

Drawings

Diagram

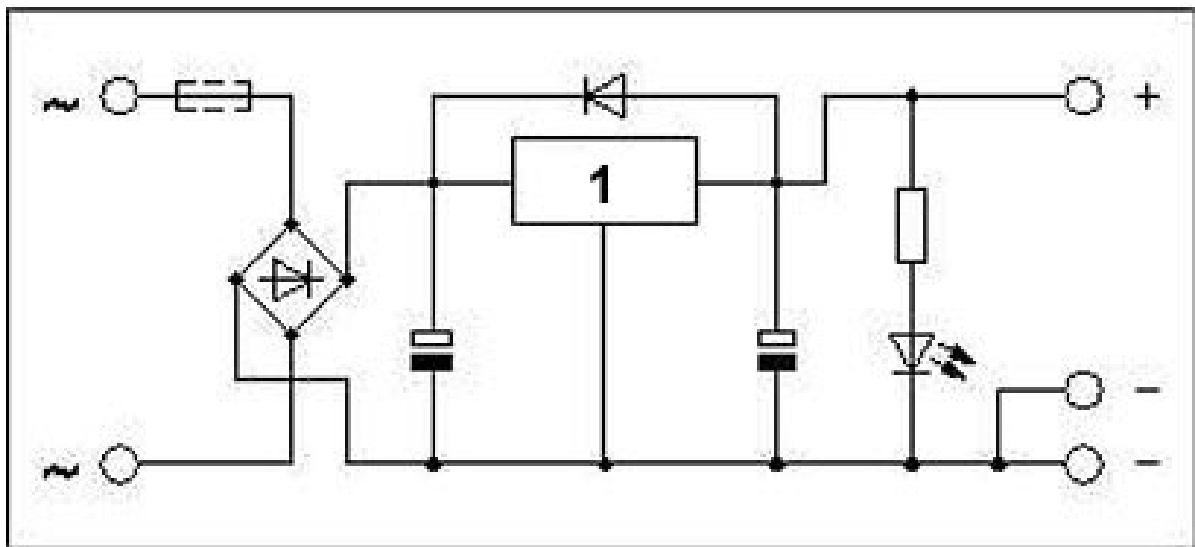


EMG 30-NZG/G24/SI - Power supply

2943932

<https://www.phoenixcontact.com/us/products/2943932>

Circuit diagram



1 = regulator

EMG 30-NZG/G24/SI - Power supply



2943932

<https://www.phoenixcontact.com/us/products/2943932>

Environmental product compliance

EU RoHS

| | |
|---|--------------------|
| Fulfills EU RoHS substance requirements | Yes, No exemptions |
|---|--------------------|

EU REACH SVHC

| | |
|-------------------------------------|----------------------------|
| REACH candidate substance (CAS No.) | No substance above 0.1 wt% |
|-------------------------------------|----------------------------|

Phoenix Contact 2026 © - all rights reserved

<https://www.phoenixcontact.com>

Phoenix Contact USA
586 Fulling Mill Road
Middletown, PA 17057, United States
(+717) 944-1300
info@phoenixcon.com