

EMG 30-NZG/G 5/SI - Power supply



2943903

<https://www.phoenixcontact.com/us/products/2943903>

Please be informed that the data shown in this PDF document is generated from our online catalog. Please find the complete data in the user documentation. Our general terms of use for downloads are valid.



Voltage regulator module with fixed-voltage regulator, input 10 V-16 V AC/ 12 V-23 V DC, output 5 V DC/0.5 A

Commercial data

Item number	2943903
Packing unit	1 pc
Note	Made to order (non-returnable)
Sales key	CM11
Product key	CMPL91
GTIN	4017918131197
Weight per piece (including packing)	115 g
Weight per piece (excluding packing)	115 g
Customs tariff number	85044082
Country of origin	DE

EMG 30-NZG/G 5/SI - Power supply



2943903

<https://www.phoenixcontact.com/us/products/2943903>

Technical data

Product properties

Operating mode	100% operating factor
----------------	-----------------------

Input data

Input voltage	12 V AC 10 %
Nominal input voltage range	12 V AC ... 13.2 V AC
AC frequency range	60 Hz ... 50 Hz
Nominal power consumption	approx. 20 VA
Input fuse	0.63 A (normal-blow (5 x 20))

Output data

Nominal output voltage	5 V DC ± 4 %
Nominal output current (I_N)	0.5 A
Residual ripple	≤ 60 mV _{PP}
Protective circuit	Thermo-electronic disconnect; Varistor

Connection data

Input

Connection method	Screw connection
Conductor cross-section, rigid min.	0.2 mm ²
Conductor cross-section, rigid max.	4 mm ²
Conductor cross-section flexible min.	0.2 mm ²
Conductor cross-section flexible max.	2.5 mm ²
Conductor cross-section AWG min.	24
Conductor cross-section AWG max.	14
Stripping length	8 mm
Screw thread	M3

Output

Connection method	Screw connection
Conductor cross-section, rigid min.	0.2 mm ²
Conductor cross-section, rigid max.	4 mm ²
Conductor cross-section flexible min.	0.2 mm ²
Conductor cross-section flexible max.	2.5 mm ²
Conductor cross-section AWG min.	24
Conductor cross-section AWG max.	14
Stripping length	8 mm
Screw thread	M3

Signaling

Operating voltage display	Green LED
---------------------------	-----------

EMG 30-NZG/G 5/SI - Power supply



2943903

<https://www.phoenixcontact.com/us/products/2943903>

Dimensions

Width	32 mm
Height	67.1 mm
Depth	75 mm

Environmental and real-life conditions

Ambient conditions

Degree of protection	IP20
Ambient temperature (operation)	0 °C ... 55 °C

Mounting

Assembly note	can be aligned with spacing = 5 mm
Mounting position	vertical, horizontal

EMG 30-NZG/G 5/SI - Power supply

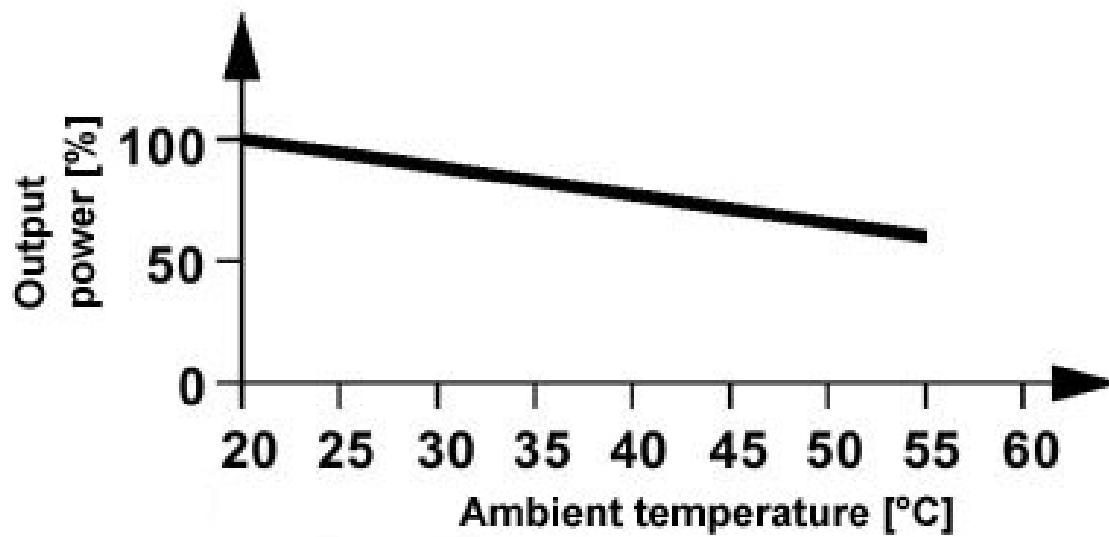
2943903

<https://www.phoenixcontact.com/us/products/2943903>



Drawings

Diagram



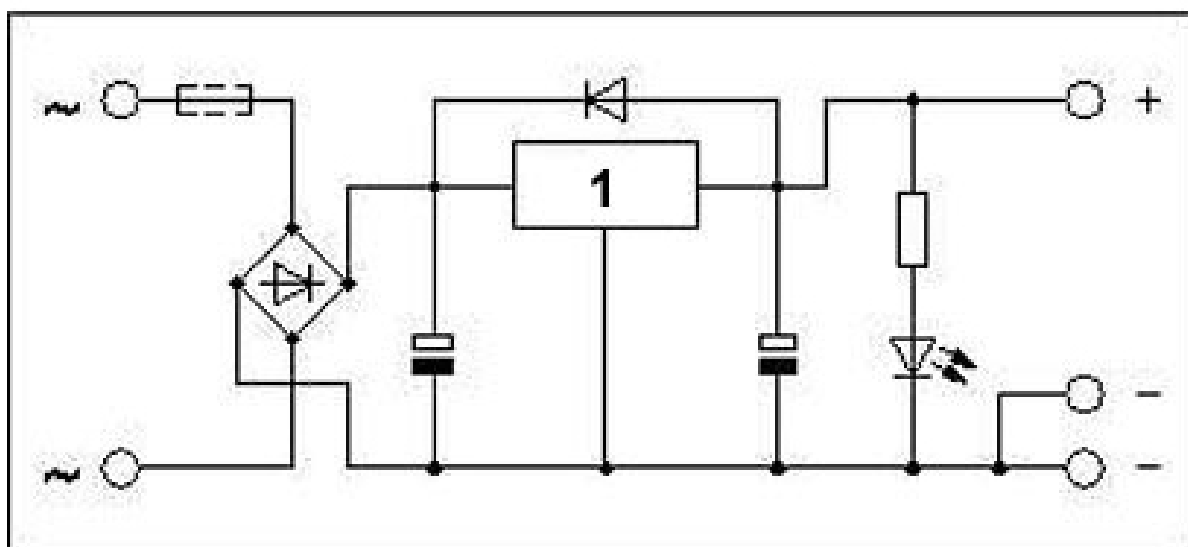
EMG 30-NZG/G 5/SI - Power supply

2943903

<https://www.phoenixcontact.com/us/products/2943903>



Circuit diagram



1 = regulator

EMG 30-NZG/G 5/SI - Power supply



2943903

<https://www.phoenixcontact.com/us/products/2943903>

Environmental product compliance

EU RoHS

Fulfills EU RoHS substance requirements	Yes, No exemptions
---	--------------------

EU REACH SVHC

REACH candidate substance (CAS No.)	No substance above 0.1 wt%
-------------------------------------	----------------------------

Phoenix Contact 2026 © - all rights reserved

<https://www.phoenixcontact.com>

Phoenix Contact USA
586 Fulling Mill Road
Middletown, PA 17057, United States
(+717) 944-1300
info@phoenixcon.com