

EMUG 45- 4REL/KSR-G 24/21 - Multiple relay module



2943767

<https://www.phoenixcontact.com/us/products/2943767>

Please be informed that the data shown in this PDF document is generated from our online catalog. Please find the complete data in the user documentation. Our general terms of use for downloads are valid.



Relay module, multi-channel with 4 soldered-in miniature switching relays for DC voltage each with LED display and 1 changeover contact, contact for medium to large loads, 24 V DC input voltage

Commercial data

Item number	2943767
Packing unit	5 pc
Minimum order quantity	1 pc
Sales key	C460
Product key	DK61E3
GTIN	4017918081317
Weight per piece (including packing)	132.6 g
Weight per piece (excluding packing)	14 g
Customs tariff number	85364190
Country of origin	DE

Technical data

Notes

Utilization restriction

EMC note	EMC: class A product, see manufacturer's declaration in the download area
----------	---

Product properties

Product type	Relay Module
Operating mode	100% operating factor
Mechanical service life	approx. 2×10^7 cycles

Insulation characteristics

Overvoltage category	III
Pollution degree	2

Data management status

Date of last data management	01.04.2026
------------------------------	------------

Electrical properties

Maximum power dissipation for nominal condition	0.5 W
Test voltage (Winding/contact)	2.5 kV AC (50 Hz, 1 min., winding/contact)

Input data

Coil side

Nominal input voltage U_N	24 V DC
Input voltage range	19.2 V DC ... 26.4 V DC (20 °C)
Drive and function	monostable
Drive (polarity)	polarized
Typical input current at U_N	21 mA
Typical response time	7 ms
Typical release time	11 ms
Protective circuit	Damping diode, polarity protection; Damping diode, polarity protection diode
Operating voltage display	yes

Output data

Switching

Contact switching type	1 changeover contact
Type of switch contact	Single contact
Contact material	AgNi
Maximum switching voltage	250 V AC/DC
Limiting continuous current	6 A
Maximum inrush current	8 A

EMUG 45- 4REL/KSR-G 24/21 - Multiple relay module



2943767

<https://www.phoenixcontact.com/us/products/2943767>

Interrupting rating (ohmic load) max.	95 W (at 24 V DC)
	50 W (at 48 V DC)
	45 W (at 60 V DC)
	35 W (at 110 V DC)
	55 W (at 220 V DC)
	1500 VA (for 250 V AC)

Dimensions

Item dimensions

Width	45 mm
Height	60 mm
Depth	79 mm

Environmental and real-life conditions

Ambient conditions

Ambient temperature (operation)	-20 °C ... 55 °C
---------------------------------	------------------

Standards and regulations

Standards/regulations	IEC 60664
	IEC 60664A
	DIN VDE 0110
	DIN VDE 0109-11, draft
	DIN EN 50178/VDE 0160
	IEC 60255/DIN VDE 0435 (in relevant parts)

Mounting

Mounting type	DIN rail mounting
Assembly note	in rows with zero spacing
Mounting position	any

EMUG 45- 4REL/KSR-G 24/21 - Multiple relay module

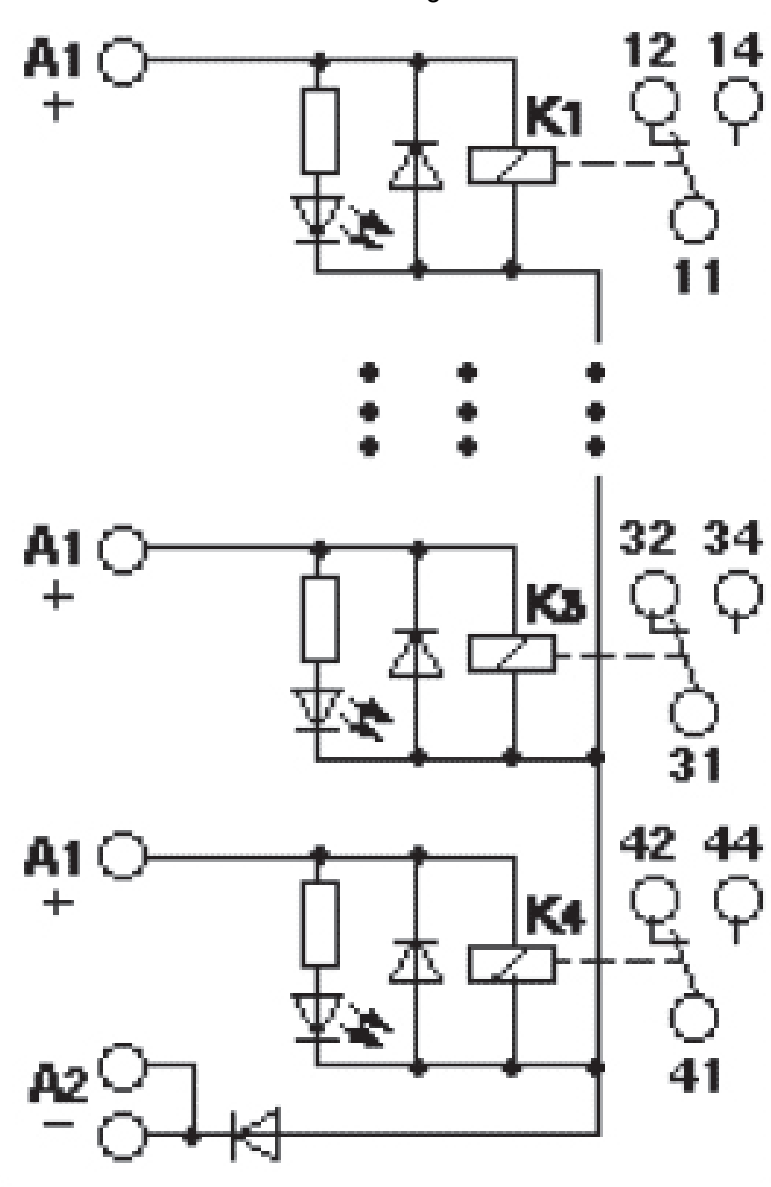


2943767

<https://www.phoenixcontact.com/us/products/2943767>

Drawings

Circuit diagram



EMUG 45- 4REL/KSR-G 24/21 - Multiple relay module



2943767

<https://www.phoenixcontact.com/us/products/2943767>

Approvals

To download certificates, visit the product detail page: <https://www.phoenixcontact.com/us/products/2943767>



EAC

Approval ID: RU*C-DE.*08.B.00010

EMUG 45- 4REL/KSR-G 24/21 - Multiple relay module



2943767

<https://www.phoenixcontact.com/us/products/2943767>

Classifications

ECLASS

ECLASS-13.0	27371601
ECLASS-15.0	27371601

ETIM

ETIM 10.0	EC001437
-----------	----------

UNSPSC

UNSPSC 21.0	39122300
-------------	----------

2943767

<https://www.phoenixcontact.com/us/products/2943767>

Environmental product compliance

EU RoHS

Fulfills EU RoHS substance requirements	Yes
Exemption	7(a), 7(c)-I

China RoHS

Environment friendly use period (EFUP)	EFUP-50
	An article-related China RoHS declaration table can be found in the download area for the respective article under "Manufacturer declaration". For all articles with EFUP-E, no China RoHS declaration table issued and required.

EU REACH SVHC

REACH candidate substance (CAS No.)	Lead(CAS: 7439-92-1)
SCIP	fd48d4cb-4437-49ee-a0e6-1598a51867cd

EF3.1 Climate Change

CO2e kg	3.331 kg CO2e
---------	---------------

Phoenix Contact 2026 © - all rights reserved
<https://www.phoenixcontact.com>

Phoenix Contact USA
 586 Fulling Mill Road
 Middletown, PA 17057, United States
 (+717) 944-1300
info@phoenixcon.com