

EMUG 22- 4REL/KSR-G 24/ 1 - Multiple relay module



2943754

<https://www.phoenixcontact.com/us/products/2943754>

Please be informed that the data shown in this PDF document is generated from our online catalog. Please find the complete data in the user documentation. Our general terms of use for downloads are valid.



Relay module, multi-channel, with 4 soldered-in miniature switching relays for DC voltage with light indicator and 1 N/O contact each, contact for medium to large loads, input voltage 24 V DC

Commercial data

Item number	2943754
Packing unit	1 pc
Note	Made to order (non-returnable)
Sales key	C460
Product key	DK6162
GTIN	4017918081300
Weight per piece (including packing)	86.4 g
Weight per piece (excluding packing)	82.6 g
Customs tariff number	85364190
Country of origin	DE

EMUG 22- 4REL/KSR-G 24/ 1 - Multiple relay module



2943754

<https://www.phoenixcontact.com/us/products/2943754>

Technical data

Product properties

Product type	Relay Module
Operating mode	100% operating factor
Mechanical service life	approx. 2×10^7 cycles

Insulation characteristics

Overvoltage category	III
Pollution degree	2

Data management status

Date of last data management	12.09.2025
------------------------------	------------

Electrical properties

Maximum power dissipation for nominal condition	0.29 W
Test voltage (Winding/contact)	2.5 kV AC (50 Hz, 1 min., winding/contact)

Input data

Coil side

Nominal input voltage U_N	24 V DC
Input voltage range	19.2 V DC ... 26.4 V DC
Input voltage range in reference to U_N	0.8 ... 1.1
Drive and function	monostable
Typical input current at U_N	12 mA
Typical response time	6 ms
Typical release time	10 ms
Protective circuit	Damping diode, polarity protection; Damping diode, polarity protection diode
Operating voltage display	yes

Output data

Switching

Contact switching type	Single contact, 1 N/O contact
Type of switch contact	Single contact
Contact material	Silver cadmium oxide (AgCdO)
Maximum switching voltage	250 V AC/DC
Limiting continuous current	6 A
Maximum inrush current	6 A
Interrupting rating (ohmic load) max.	144 W (at 24 V DC)
	70 W (at 48 V DC)
	55 W (at 60 V DC)
	50 W (at 110 V DC)
	50 W (at 220 V DC)

EMUG 22- 4REL/KSR-G 24/ 1 - Multiple relay module



2943754

<https://www.phoenixcontact.com/us/products/2943754>

	1500 VA (for 250 V AC)
--	------------------------

Dimensions

Width	22.5 mm
Height	60 mm
Depth	79 mm

Environmental and real-life conditions

Ambient conditions

Ambient temperature (operation)	-20 °C ... 55 °C
---------------------------------	------------------

Standards and regulations

Standards/regulations	IEC 60664
	IEC 60664A
	DIN VDE 0110
	DIN VDE 0109-11, draft
	DIN EN 50178/VDE 0160
	IEC 60255/DIN VDE 0435 (in relevant parts)

Mounting

Mounting type	DIN rail mounting
Assembly note	in rows with zero spacing
Mounting position	any

EMUG 22- 4REL/KSR-G 24/ 1 - Multiple relay module

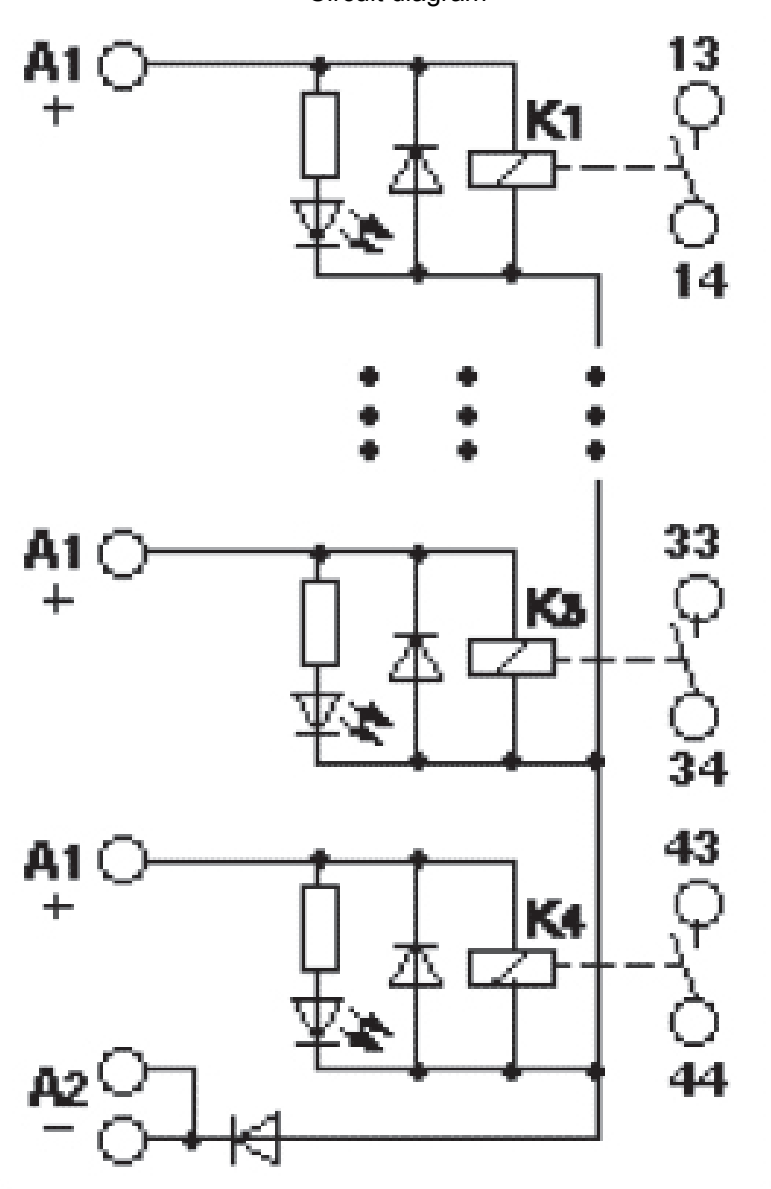


2943754

<https://www.phoenixcontact.com/us/products/2943754>

Drawings

Circuit diagram



EMUG 22- 4REL/KSR-G 24/ 1 - Multiple relay module



2943754

<https://www.phoenixcontact.com/us/products/2943754>

Environmental product compliance

China RoHS

Environment friendly use period (EFUP)	EFUP-50
	An article-related China RoHS declaration table can be found in the download area for the respective article under "Manufacturer declaration". For all articles with EFUP-E, no China RoHS declaration table issued and required.

EU REACH SVHC

REACH candidate substance (CAS No.)	No substance above 0.1 wt%
-------------------------------------	----------------------------

Phoenix Contact 2026 © - all rights reserved
<https://www.phoenixcontact.com>

Phoenix Contact USA
586 Fulling Mill Road
Middletown, PA 17057, United States
(+717) 944-1300
info@phoenixcon.com