

EMUG 45- BE - Electronics housing



2943482

<https://www.phoenixcontact.com/us/products/2943482>

Please be informed that the data shown in this PDF document is generated from our online catalog. Please find the complete data in the user documentation. Our general terms of use for downloads are valid.



Base element with snap-on foot, for mounting on standard DIN rail, 45 mm wide

Commercial data

Item number	2943482
Packing unit	10 pc
Minimum order quantity	10 pc
Note	Made to order (non-returnable)
Sales key	AC11
Product key	ACHCAF
GTIN	4017918107567
Weight per piece (including packing)	35.87 g
Weight per piece (excluding packing)	35.87 g
Customs tariff number	85472000
Country of origin	DE

EMUG 45- BE - Electronics housing

2943482

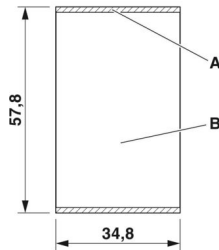
<https://www.phoenixcontact.com/us/products/2943482>

Technical data

Product properties

Housing type	Component housing
Type	Housing base element, side panels necessary to complete the module
Number of positions	999

Dimensions

Dimensional drawing	
Width	45 mm
Height NS 35/7,5	77 mm
Depth	60 mm
Length	60 mm

Material specifications

Color	green
Flammability rating according to UL 94	V0
Housing material	Polycarbonate fiber reinforced

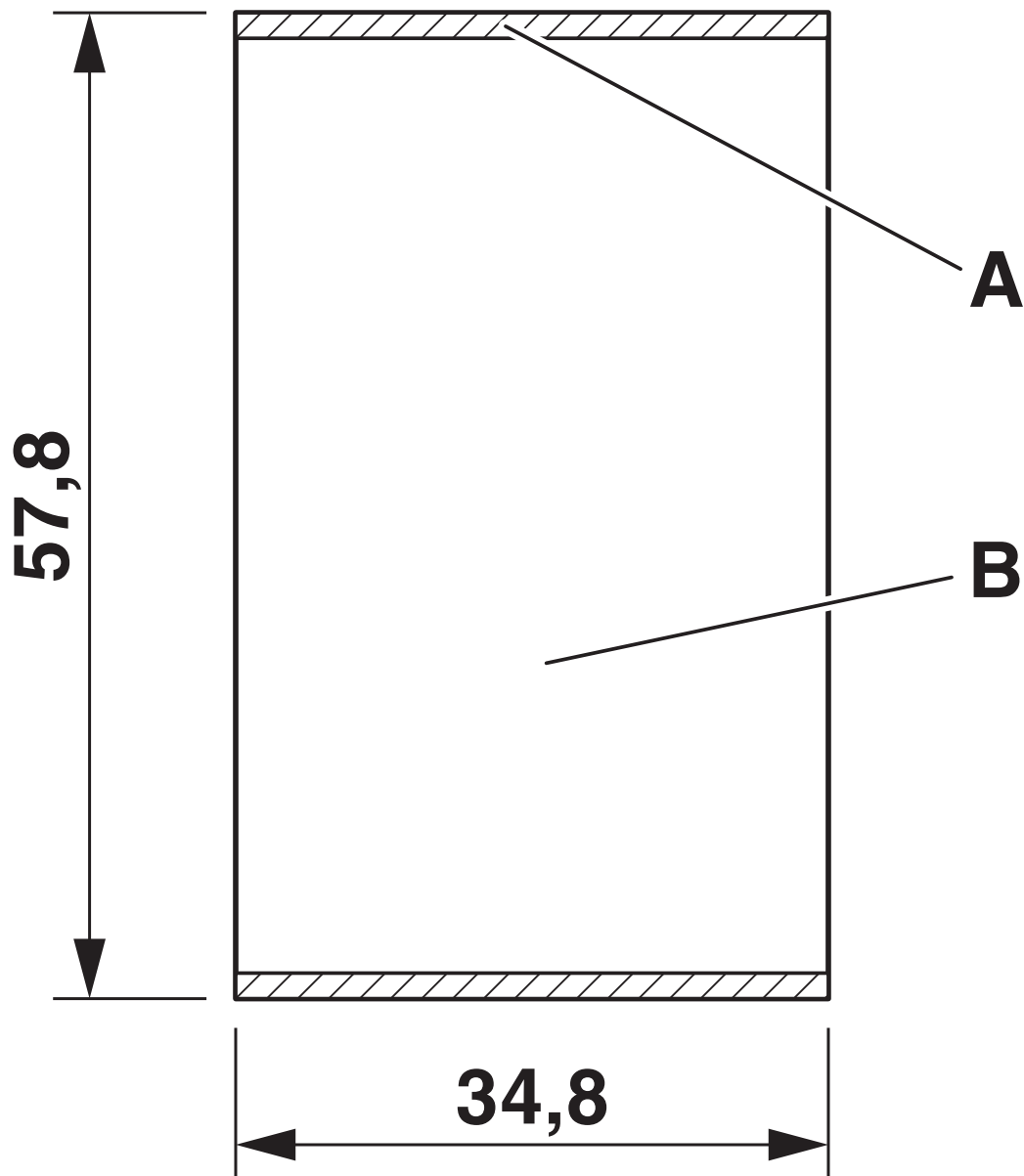
Environmental and real-life conditions

Ambient conditions

Ambient temperature (operation)	-40 °C ... 125 °C
---------------------------------	-------------------

Drawings

Dimensional drawing



PCB 1 and 2 for EMUG 45 (horizontal)

A = PCB edge = 1.5 mm

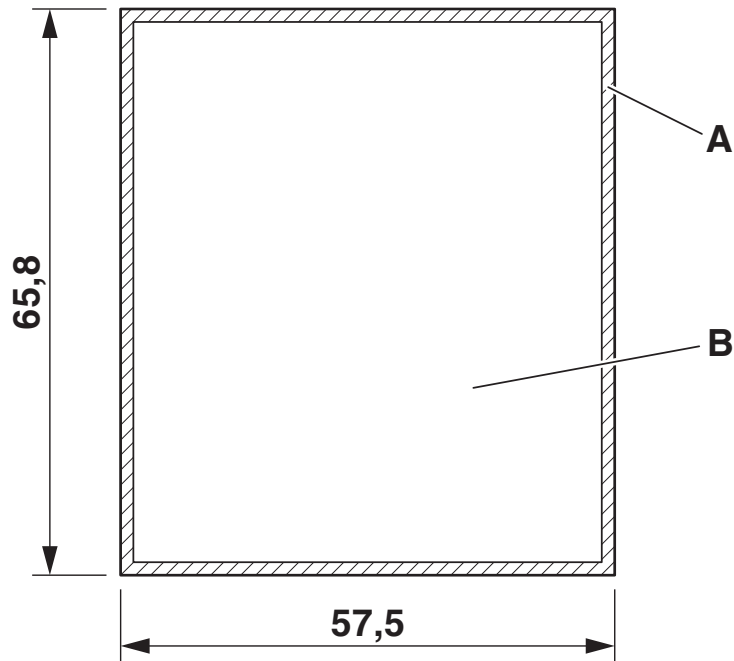
B = Overall component area

EMUG 45- BE - Electronics housing

2943482

<https://www.phoenixcontact.com/us/products/2943482>

Dimensional drawing

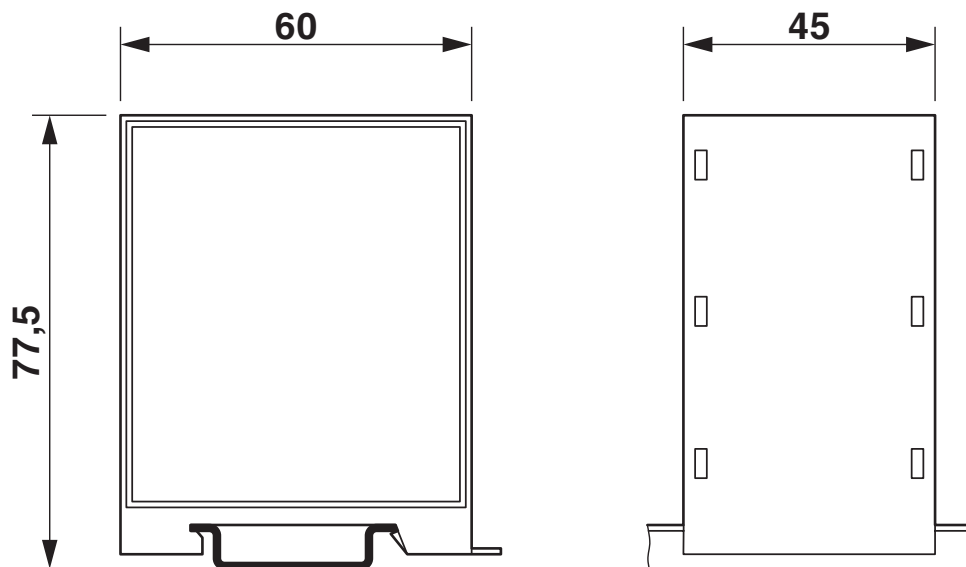


PCB 3 and 4 for EMUG 25 and EMUG 45 parallel to housing panel - side panel

A = PCB edge = 1.5 mm

B = Overall component area

Dimensional drawing



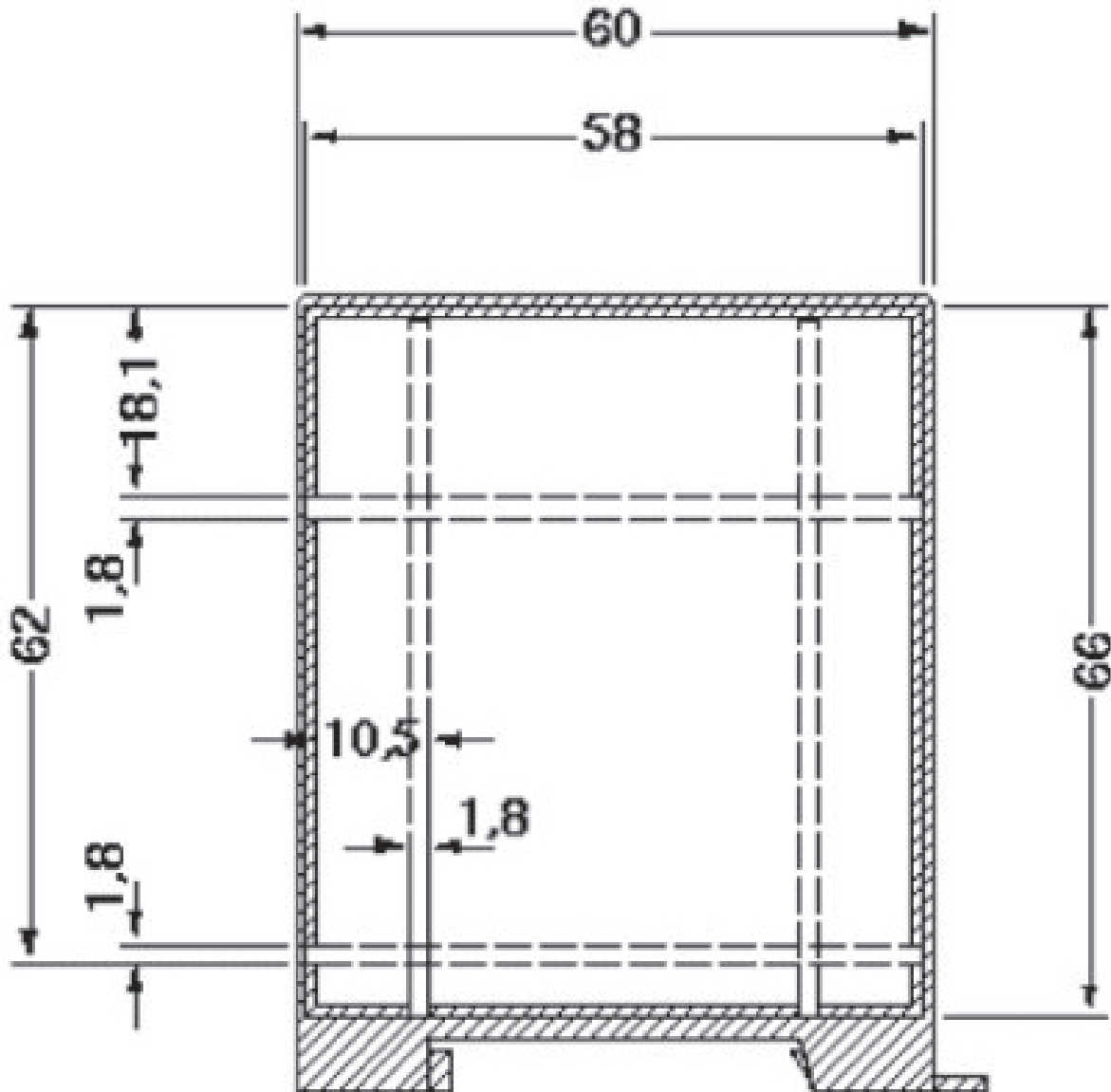
EMUG 45- BE - Electronics housing

2943482

<https://www.phoenixcontact.com/us/products/2943482>



Dimensional drawing



EMUG 45- BE - Electronics housing



2943482

<https://www.phoenixcontact.com/us/products/2943482>

Environmental product compliance

EU RoHS

Fulfills EU RoHS substance requirements	Yes, No exemptions
---	--------------------

China RoHS

Environment friendly use period (EFUP)	EFUP-E
	No hazardous substances above the limits

EU REACH SVHC

REACH candidate substance (CAS No.)	No substance above 0.1 wt%
-------------------------------------	----------------------------

Phoenix Contact 2026 © - all rights reserved
<https://www.phoenixcontact.com>

Phoenix Contact USA
586 Fulling Mill Road
Middletown, PA 17057, United States
(+717) 944-1300
info@phoenixcon.com