

# EMUG 22- BE - Electronics housing

2943479

<https://www.phoenixcontact.com/us/products/2943479>

Please be informed that the data shown in this PDF document is generated from our online catalog. Please find the complete data in the user documentation. Our general terms of use for downloads are valid.



Base element with snap-on foot, for mounting on standard DIN rail, 22.5 mm wide

## Commercial data

Item number	2943479
Packing unit	10 pc
Minimum order quantity	10 pc
Sales key	AC11
Product key	ACHCAF
GTIN	4017918081119
Weight per piece (including packing)	18.22 g
Weight per piece (excluding packing)	18.22 g
Customs tariff number	85472000
Country of origin	DE

2943479

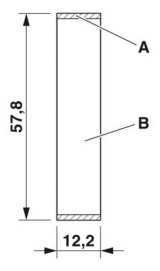
<https://www.phoenixcontact.com/us/products/2943479>

## Technical data

### Product properties

Product type	Housing
Housing type	Component housing
Housing series	EMUG
Type	Housing base element, side panels necessary to complete the module
Number of positions	999

### Dimensions

Dimensional drawing	
Width	22.5 mm
Height NS 35/7,5	77 mm
Depth	60 mm
Length	60 mm

### Material specifications

Color	green
Flammability rating according to UL 94	V0
Housing material	Polycarbonate, glass-fiber-reinforced

### Environmental and real-life conditions

#### Ambient conditions

Ambient temperature (operation)	-40 °C ... 125 °C
---------------------------------	-------------------

# EMUG 22- BE - Electronics housing

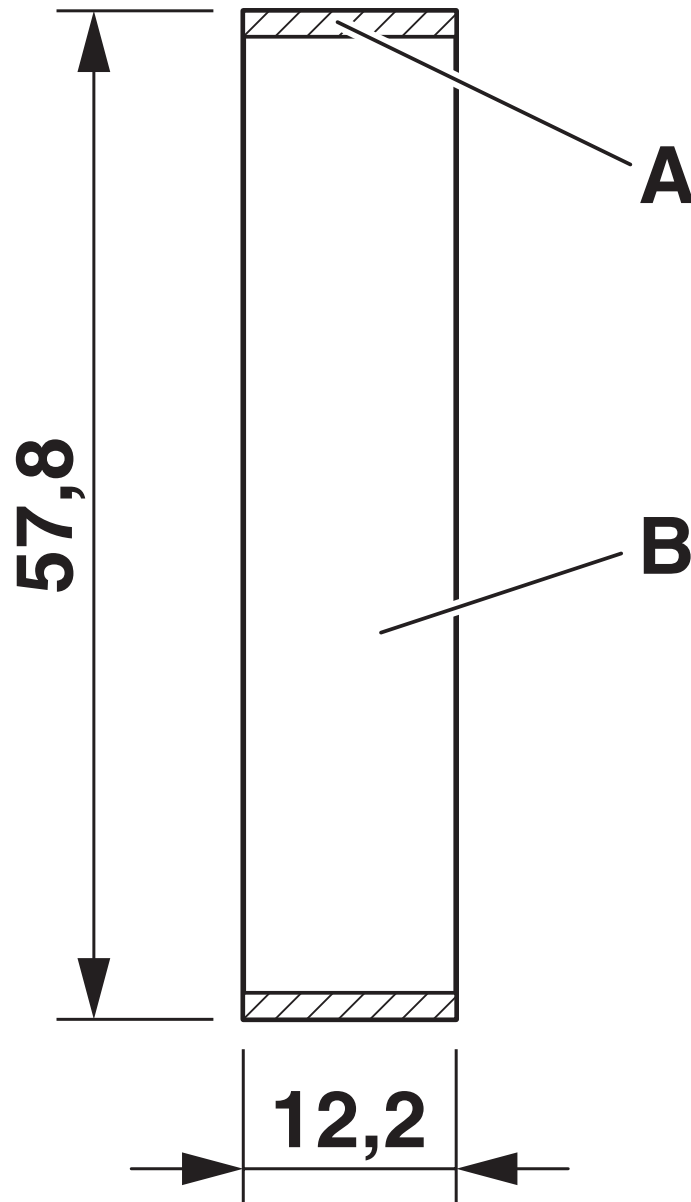
2943479

<https://www.phoenixcontact.com/us/products/2943479>



## Drawings

Dimensional drawing



PCB 1 and 2 for EMUG 22 (horizontal)

A = PCB edge = 1.5 mm

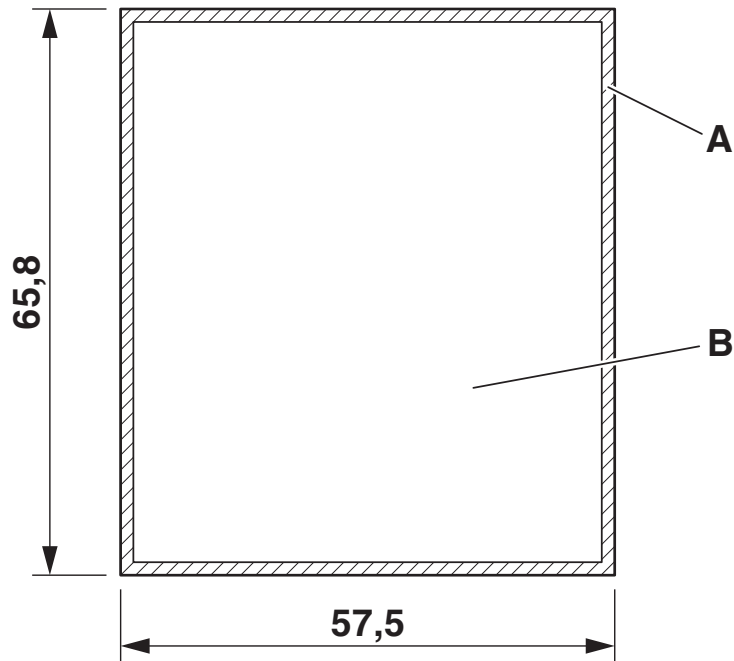
B = Overall component area

# EMUG 22- BE - Electronics housing

2943479

<https://www.phoenixcontact.com/us/products/2943479>

Dimensional drawing

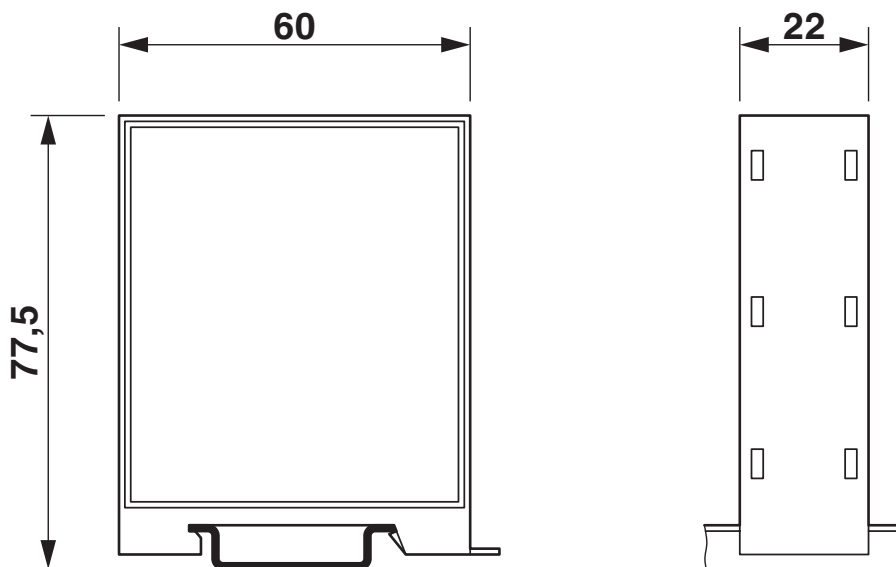


PCB 3 and 4 for EMUG 25 and EMUG 45 parallel to housing panel - side panel

A = PCB edge = 1.5 mm

B = Overall component area

Dimensional drawing



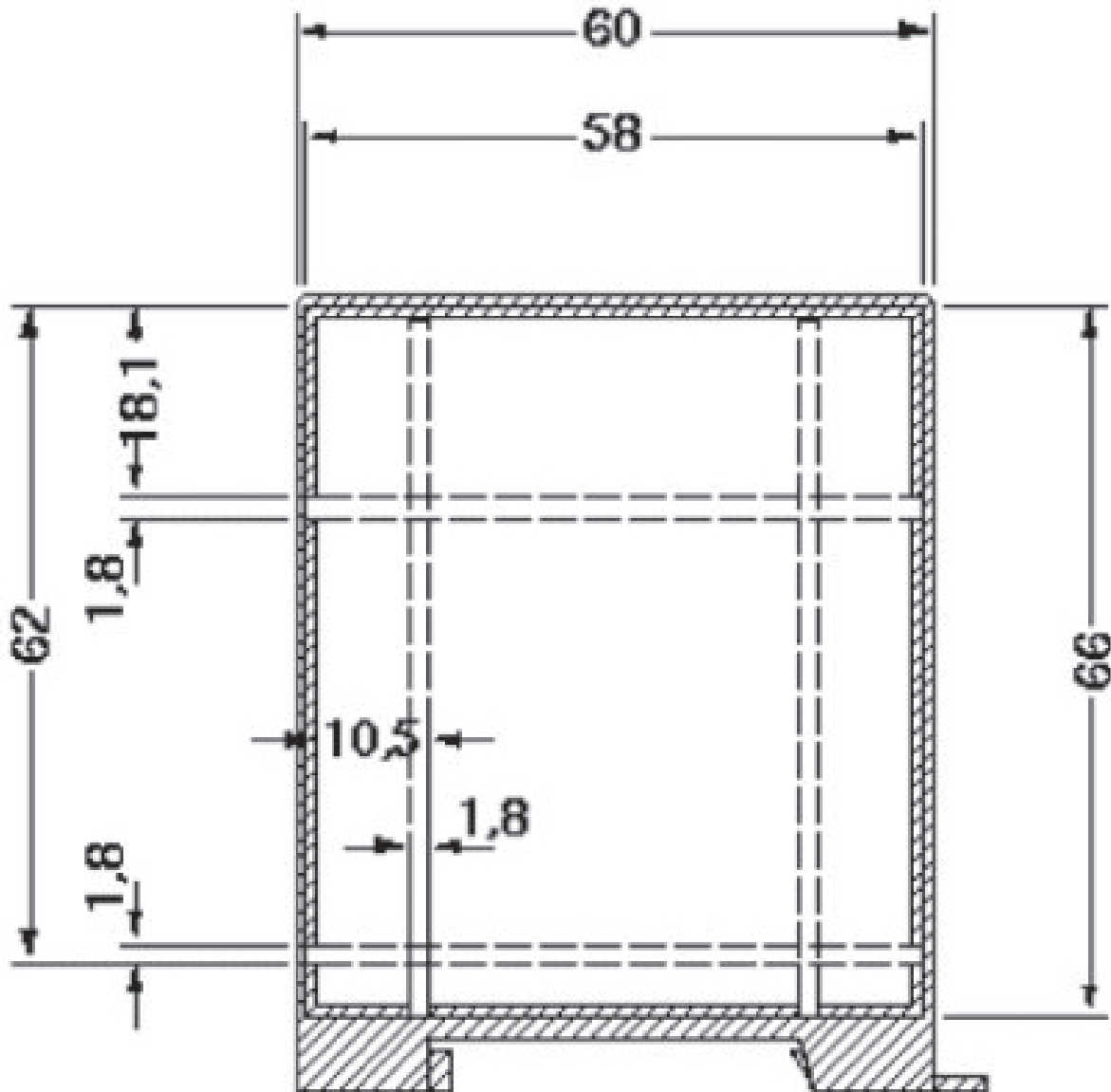
# EMUG 22- BE - Electronics housing

2943479

<https://www.phoenixcontact.com/us/products/2943479>



Dimensional drawing



# EMUG 22- BE - Electronics housing

2943479

<https://www.phoenixcontact.com/us/products/2943479>



## Classifications

### UNSPSC

UNSPSC 21.0	31261500
-------------	----------

# EMUG 22- BE - Electronics housing



2943479

<https://www.phoenixcontact.com/us/products/2943479>

## Environmental product compliance

### EU RoHS

Fulfills EU RoHS substance requirements	Yes, No exemptions
---	--------------------

### China RoHS

Environment friendly use period (EFUP)	EFUP-E
	No hazardous substances above the limits

### EU REACH SVHC

REACH candidate substance (CAS No.)	No substance above 0.1 wt%
-------------------------------------	----------------------------

Phoenix Contact 2026 © - all rights reserved  
<https://www.phoenixcontact.com>

Phoenix Contact USA  
586 Fulling Mill Road  
Middletown, PA 17057, United States  
(+717) 944-1300  
[info@phoenixcon.com](mailto:info@phoenixcon.com)