

# CM125-LG/H 12,5/BO/DB BK - Electronics housing



2943055

<https://www.phoenixcontact.com/us/products/2943055>

Please be informed that the data shown in this PDF document is generated from our online catalog. Please find the complete data in the user documentation. Our general terms of use for downloads are valid.



Component housing, Complete housing, with vents, width: 125 mm, depth: 102 mm, color: black (similar RAL 9005), cross connection: without bus connector, number of positions cross connector: not relevant

The figure shows versions CM 125-LG/H 35/BO/DB/GH

## Commercial data

Item number	2943055
Packing unit	1 pc
Minimum order quantity	1 pc
Note	Made to order (non-returnable)
Sales key	AC11
Product key	ACHCDA
GTIN	4017918101039
Weight per piece (including packing)	291.8 g
Weight per piece (excluding packing)	275.2 g
Customs tariff number	84879090
Country of origin	DE

2943055

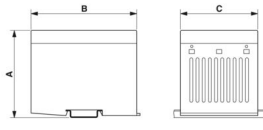
<https://www.phoenixcontact.com/us/products/2943055>

## Technical data

### Product properties

Product type	Complete housing
Housing type	Component housing
Product family	CM LG
Type	Housing closed, ventilation slots

### Dimensions

Dimensional drawing	
Width	125 mm
Depth	102 mm

### Material specifications

Color	black (RAL 9005)
Flammability rating according to UL 94	V0
Housing material	Polycarbonate fiber reinforced

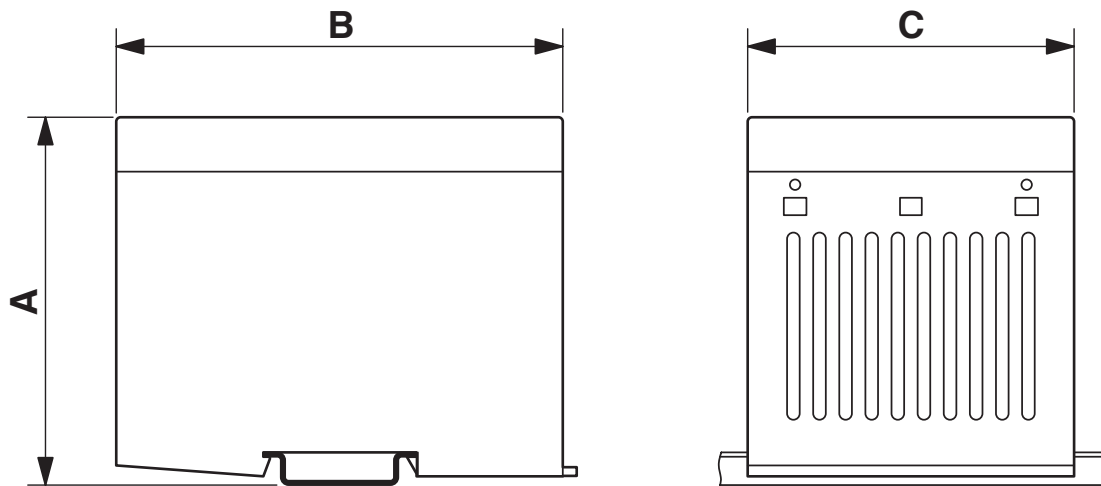
### Environmental and real-life conditions

#### Ambient conditions

Ambient temperature (operation)	-40 °C ... 105 °C (depending on power dissipation)
---------------------------------	--

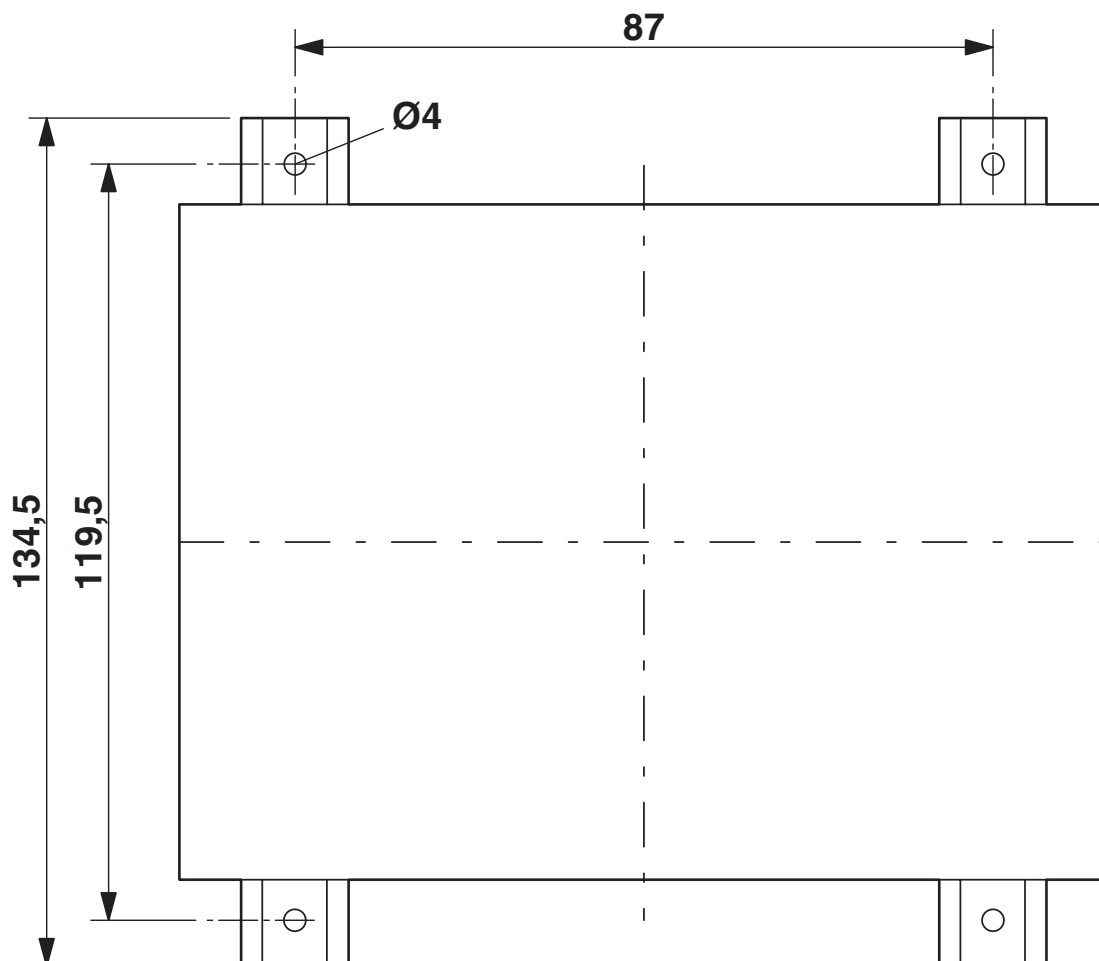
Drawings

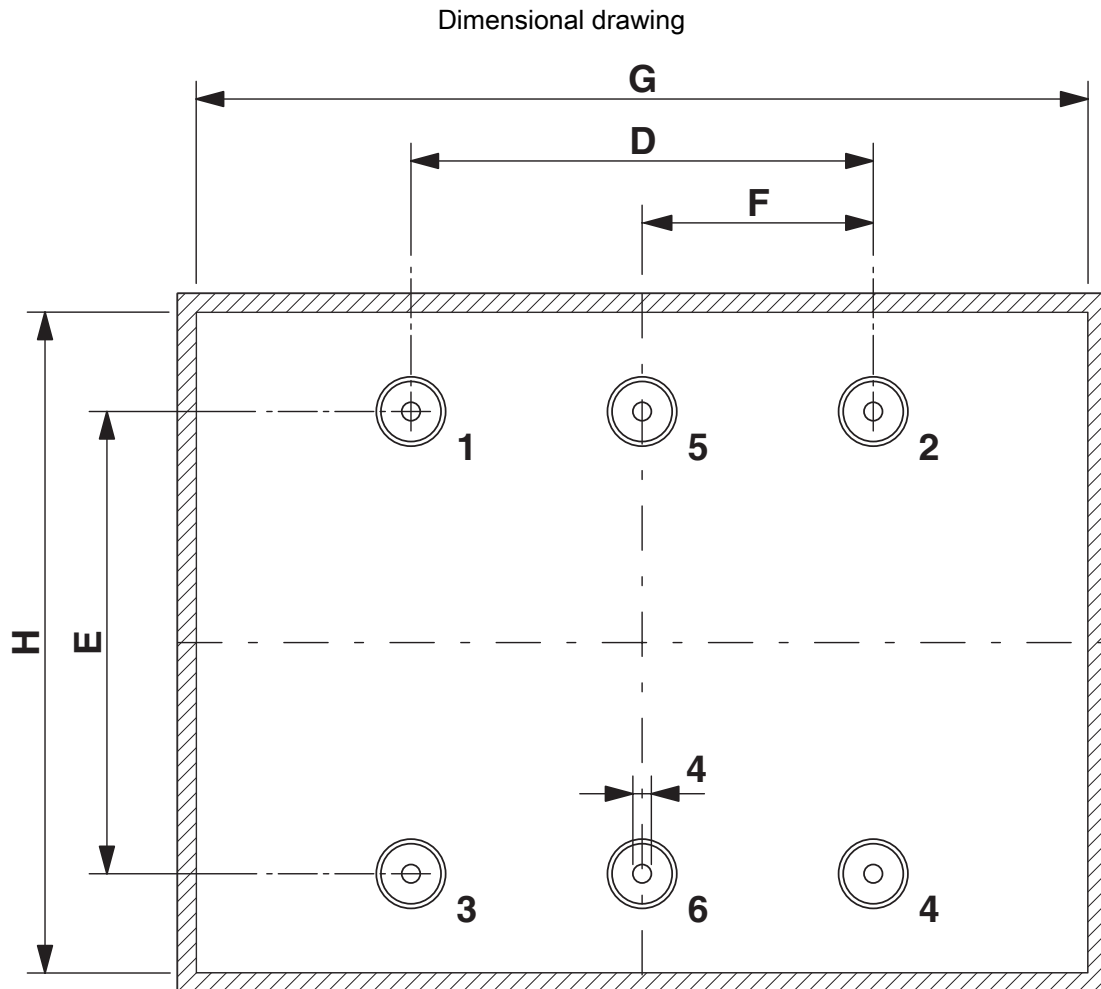
Dimensional drawing



Dimension A: 115.5 mm; dimension B: 102 mm; dimension C: 125 mm

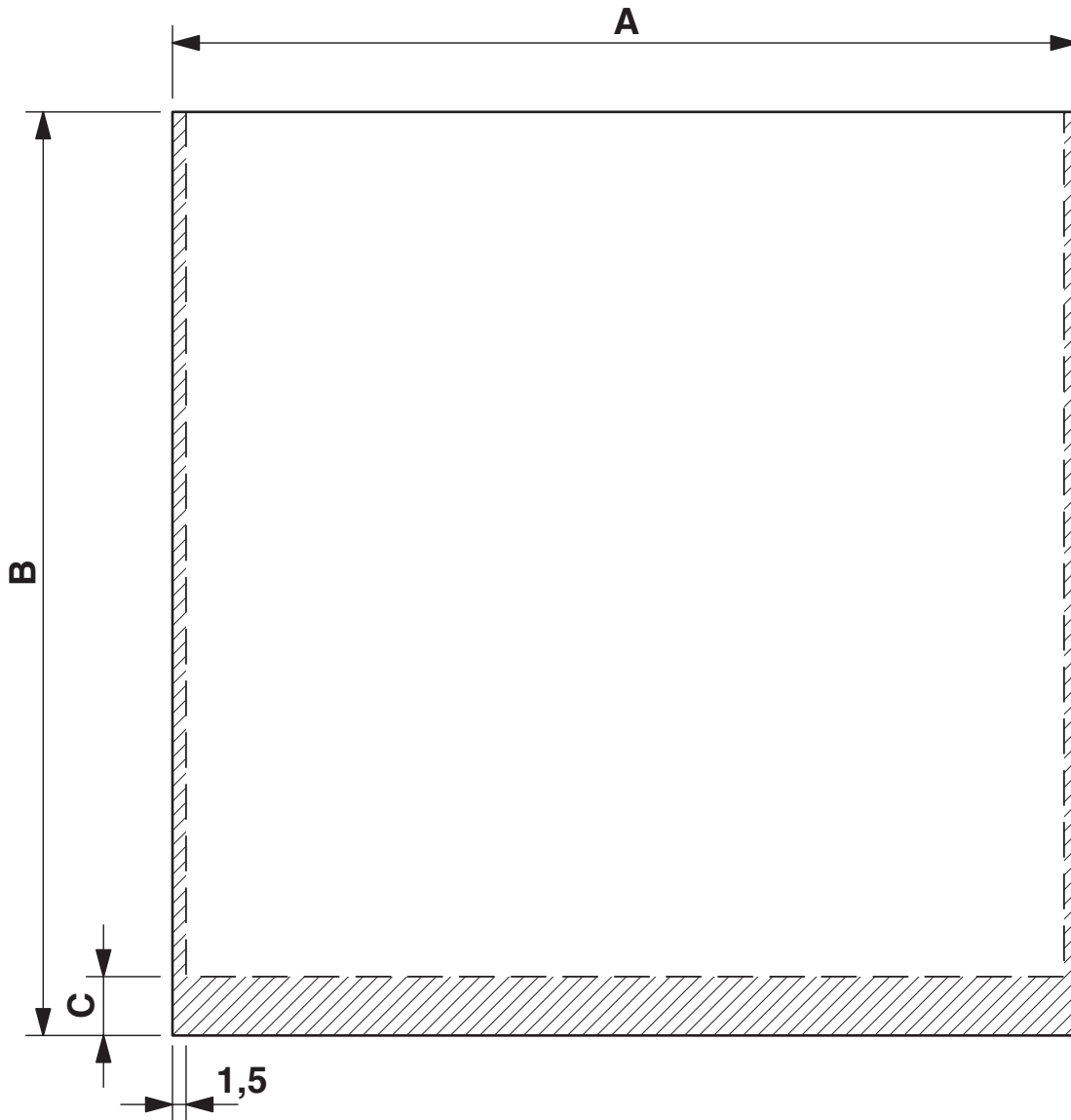
Dimensional drawing





Dimension D: 87.5 mm; E: 70.0 mm; G: 119.0 mm; H: 96.0 mm  
Spacer pins 1 - 4: Height 23 mm;  $\varnothing$  4 mm

Dimensional drawing



- PCB 1, 7: Dimension A: 122.5 mm; B: 102.0 mm; C: 0 mm
- PCB 8, 13: Dimension A: 100.0 mm; B: 102.0 mm; C: 6.5 mm
- PCB 9-12: Dimension A: 100.0 mm; B: 102.0 mm; C: 0 mm

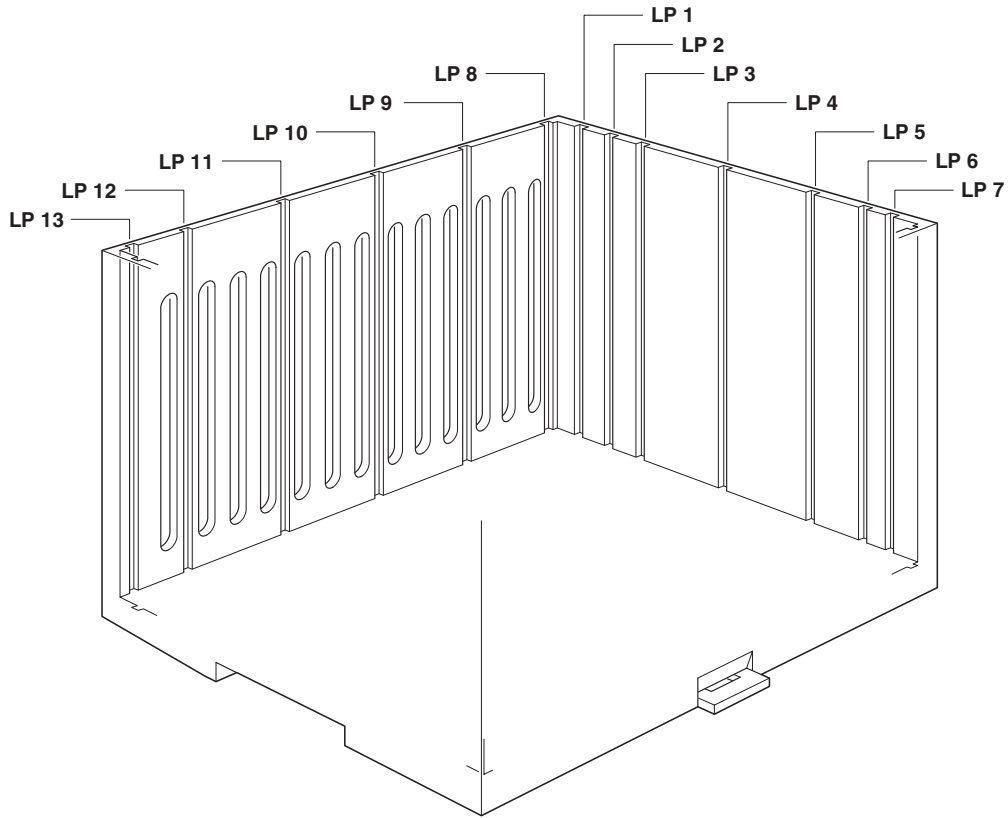
# CM125-LG/H 12,5/BO/DB BK - Electronics housing



2943055

<https://www.phoenixcontact.com/us/products/2943055>

Schematic diagram



# CM125-LG/H 12,5/BO/DB BK - Electronics housing



2943055

<https://www.phoenixcontact.com/us/products/2943055>

## Classifications

### UNSPSC

UNSPSC 21.0	31261500
-------------	----------

# CM125-LG/H 12,5/BO/DB BK - Electronics housing



2943055

<https://www.phoenixcontact.com/us/products/2943055>

## Environmental product compliance

### EU RoHS

Fulfills EU RoHS substance requirements	Yes, No exemptions
---	--------------------

### China RoHS

Environment friendly use period (EFUP)	EFUP-E
	No hazardous substances above the limits

### EU REACH SVHC

REACH candidate substance (CAS No.)	No substance above 0.1 wt%
-------------------------------------	----------------------------

Phoenix Contact 2026 © - all rights reserved  
<https://www.phoenixcontact.com>

Phoenix Contact USA  
586 Fulling Mill Road  
Middletown, PA 17057, United States  
(+717) 944-1300  
[info@phoenixcon.com](mailto:info@phoenixcon.com)