

EMG 22-LG/SET - Electronics housing

2942991

<https://www.phoenixcontact.com/us/products/2942991>

Please be informed that the data shown in this PDF document is generated from our online catalog. Please find the complete data in the user documentation. Our general terms of use for downloads are valid.



Electronic housing set, consisting of electronic housing and printed circuit termination blocks, pitch 5

Commercial data

Item number	2942991
Packing unit	1 pc
Note	Made to order (non-returnable)
Sales key	AC11
Product key	ACHCBA
GTIN	4017918080952
Weight per piece (including packing)	40.74 g
Weight per piece (excluding packing)	40.74 g
Customs tariff number	85369010
Country of origin	DE

2942991

<https://www.phoenixcontact.com/us/products/2942991>

Set consists of

MKDS 3/ 2 - PCB terminal block

1711026

<https://www.phoenixcontact.com/us/products/1711026>



PCB terminal block, nominal current: 24 A, rated voltage (III/2): 400 V, nominal cross section: 2.5 mm², number of potentials: 2, number of rows: 1, number of positions per row: 2, product range: MKDS 3, pitch: 5 mm, connection method: Screw connection with tension sleeve, screw head form: L Slotted, mounting: Wave soldering, conductor/PCB connection direction: 0 °, color: green, Pin layout: Linear pinning, Solder pin [P]: 5 mm, number of solder pins per potential: 1, type of packaging: packed in cardboard. The article can be aligned to create different nos. of positions!

MKDS 3/ 3 - PCB terminal block

1711039

<https://www.phoenixcontact.com/us/products/1711039>



PCB terminal block, nominal current: 24 A, rated voltage (III/2): 400 V, nominal cross section: 2.5 mm², number of potentials: 3, number of rows: 1, number of positions per row: 3, product range: MKDS 3, pitch: 5 mm, connection method: Screw connection with tension sleeve, screw head form: L Slotted, mounting: Wave soldering, conductor/PCB connection direction: 0 °, color: green, Pin layout: Linear pinning, Solder pin [P]: 5 mm, number of solder pins per potential: 1, type of packaging: packed in cardboard. The article can be aligned to create different nos. of positions!

EMG 22-LG/SET - Electronics housing

2942991

<https://www.phoenixcontact.com/us/products/2942991>



MKDS 3/ 4 - PCB terminal block

1711042

<https://www.phoenixcontact.com/us/products/1711042>



PCB terminal block, nominal current: 24 A, rated voltage (III/2): 400 V, nominal cross section: 2.5 mm², number of potentials: 4, number of rows: 1, number of positions per row: 4, product range: MKDS 3, pitch: 5 mm, connection method: Screw connection with tension sleeve, screw head form: L Slotted, mounting: Wave soldering, conductor/PCB connection direction: 0 °, color: green, Pin layout: Linear pinning, Solder pin [P]: 5 mm, number of solder pins per potential: 1, type of packaging: packed in cardboard. The article can be aligned to create different nos. of positions!

2942991

<https://www.phoenixcontact.com/us/products/2942991>

Technical data

Product properties

Product type	Stackable housing set
Housing type	Component housing
Product family	EMG...-LG
Type	Lower housing part, removable cover as option, connection system integrated
Number of positions	8
Pitch	5 mm

Dimensions

Dimensional drawing	
Width	22.5 mm
Installed height	47.5 mm
Height NS 35/7,5	55 mm
	83 mm
	100 mm
Depth	75 mm
Length	75 mm
Pitch	5 mm

Material specifications

Color	green
Flammability rating according to UL 94	V0
Housing material	Polycarbonate fiber reinforced

Environmental and real-life conditions

Ambient conditions

Ambient temperature (operation)	-40 °C ... 125 °C
---------------------------------	-------------------

Mounting

Mounting type	DIN rail mounting
---------------	-------------------

EMG 22-LG/SET - Electronics housing

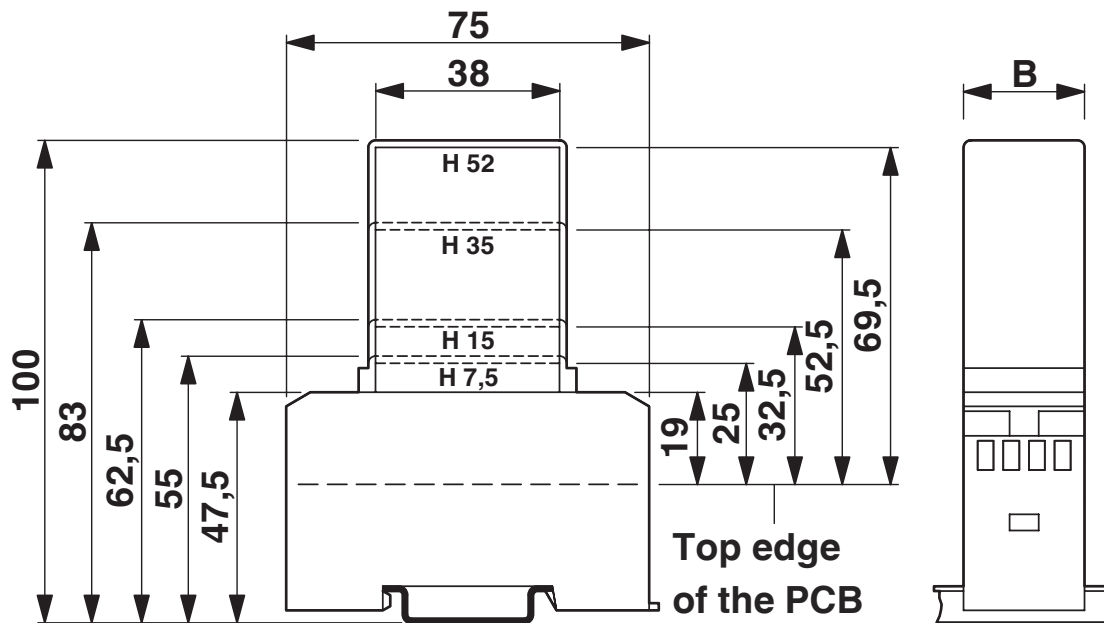
2942991

<https://www.phoenixcontact.com/us/products/2942991>



Drawings

Dimensional drawing



1 = Top edge of the PCB

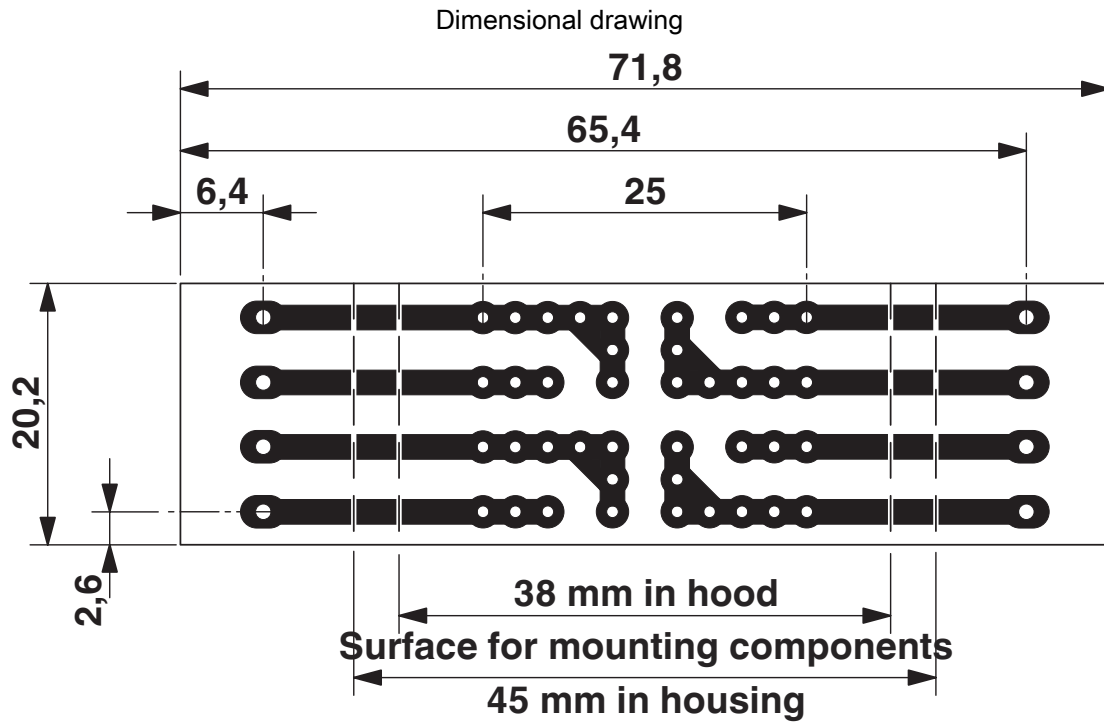
B = Housing width

EMG 22-LG/SET - Electronics housing



2942991

<https://www.phoenixcontact.com/us/products/2942991>



Pitch 5 mm

a = Area for mounting components, 38 mm in the hood

b = Area for mounting components, 45 mm in the housing

EMG 22-LG/SET - Electronics housing

2942991

<https://www.phoenixcontact.com/us/products/2942991>



Classifications

UNSPSC

UNSPSC 21.0	31261500
-------------	----------

EMG 22-LG/SET - Electronics housing



2942991

<https://www.phoenixcontact.com/us/products/2942991>

Environmental product compliance

EU RoHS

Fulfills EU RoHS substance requirements	Yes
Exemption	6(c)

China RoHS

Environment friendly use period (EFUP)	EFUP-50
	An article-related China RoHS declaration table can be found in the download area for the respective article under "Manufacturer declaration". For all articles with EFUP-E, no China RoHS declaration table issued and required.

EU REACH SVHC

REACH candidate substance (CAS No.)	No substance above 0.1 wt%
-------------------------------------	----------------------------

Phoenix Contact 2026 © - all rights reserved
<https://www.phoenixcontact.com>

Phoenix Contact USA
586 Fulling Mill Road
Middletown, PA 17057, United States
(+717) 944-1300
info@phoenixcon.com