

EMG 15-LG/SET - Electronics housing



2942975

<https://www.phoenixcontact.com/us/products/2942975>

Please be informed that the data shown in this PDF document is generated from our online catalog. Please find the complete data in the user documentation. Our general terms of use for downloads are valid.



Electronic housing set, consisting of electronic housing and printed circuit termination blocks, pitch 5

Commercial data

Item number	2942975
Packing unit	10 pc
Minimum order quantity	1 pc
Sales key	AC11
Product key	ACHCBA
GTIN	4017918080938
Weight per piece (including packing)	28.8 g
Weight per piece (excluding packing)	28.8 g
Customs tariff number	85369010
Country of origin	DE

EMG 15-LG/SET - Electronics housing

2942975

<https://www.phoenixcontact.com/us/products/2942975>

Set consists of

MKDS 3/ 3-EMG 15 - PCB terminal block

1712698

<https://www.phoenixcontact.com/us/products/1712698>



Printed circuit board terminal, nominal current: 24 A, rated voltage (III/2): 400 V, nominal cross section: 2.5 mm², number of potentials: 3, number of rows: 1, number of positions per row: 3, product range: MKDS 3, pitch: 4.7 mm, connection method: Screw connection with tension sleeve, screw head form: L Slotted, mounting: Wave soldering, conductor/PCB connection direction: 0 °, color: green, Pin layout: Linear pinning, Solder pin [P]: 5 mm, number of solder pins per potential: 1, type of packaging: packed in cardboard. Matches EMG 15 component housing

EMG 15-LG/SET - Electronics housing



2942975

<https://www.phoenixcontact.com/us/products/2942975>

Technical data

Product properties

Product type	Stackable housing set
Housing type	Component housing
Housing series	EMG
Product family	EMG...-LG
Type	Lower housing part, removable cover as option, connection system integrated
Number of positions	6
Pitch	5 mm
Ventilation openings present	no

Dimensions

Dimensional drawing	
Width	15 mm
Installed height	47.5 mm
Height NS 35/7,5	55 mm
Depth	75 mm
Length	75 mm
Pitch	5 mm

Material specifications

Color (Housing)	green (RAL 6021)
Material Housing	PC (glass-fiber reinforced)
Flammability rating according to UL 94	V0

Environmental and real-life conditions

Ambient conditions

Degree of protection	IP20
Ambient temperature (operation)	-40 °C ... 125 °C

EMG 15-LG/SET - Electronics housing

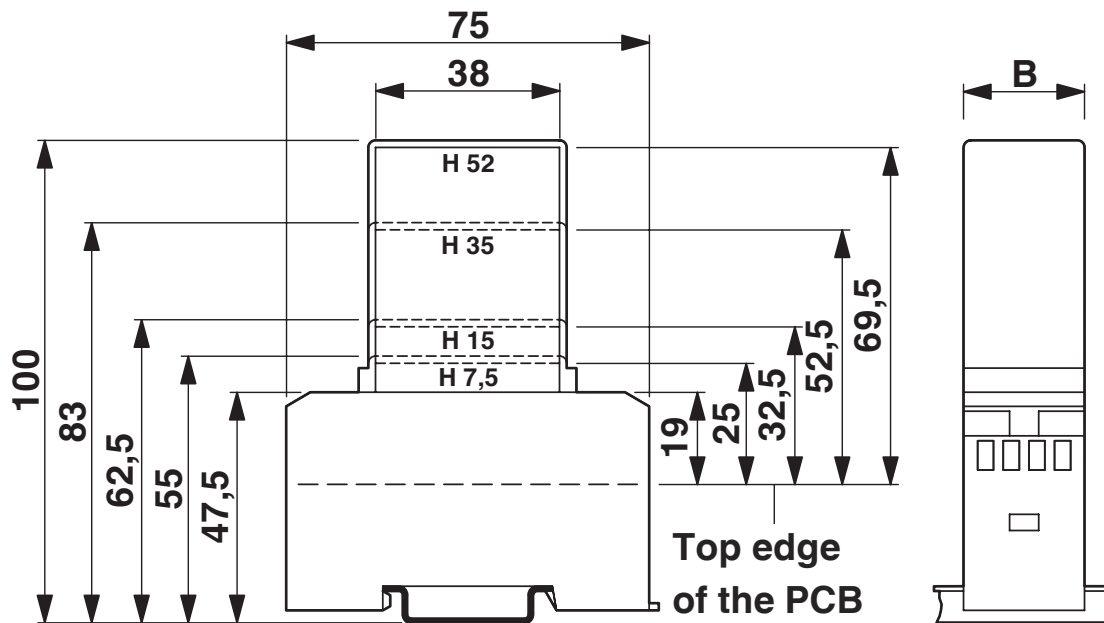
2942975

<https://www.phoenixcontact.com/us/products/2942975>



Drawings

Dimensional drawing



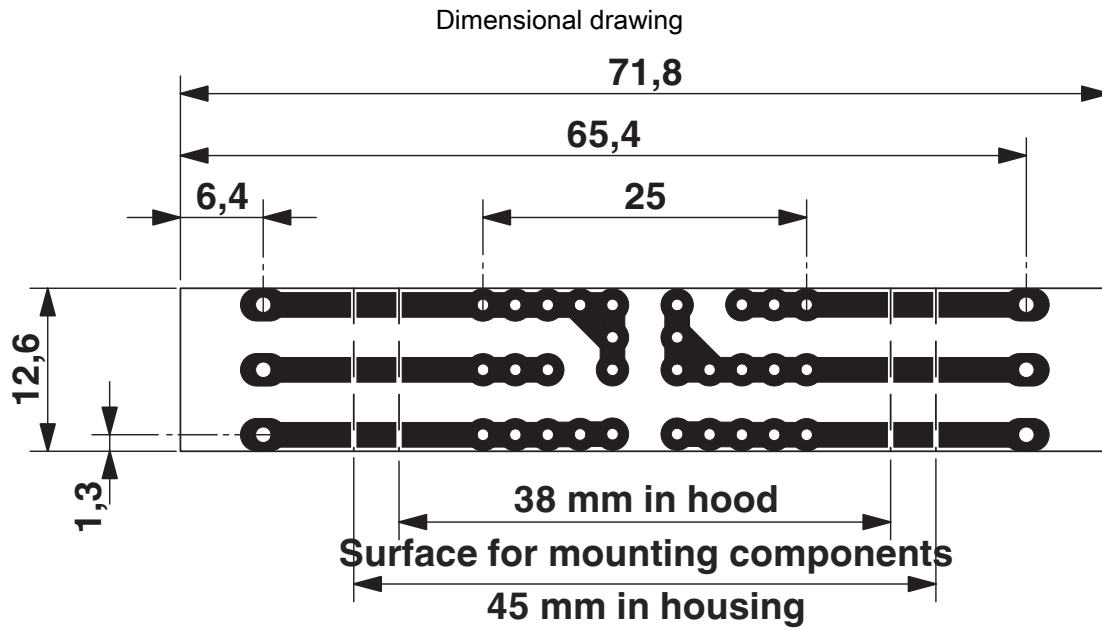
1 = Top edge of the PCB

B = Housing width

EMG 15-LG/SET - Electronics housing

2942975

<https://www.phoenixcontact.com/us/products/2942975>



Pitch 5 mm

a = Area for mounting components, 38 mm in the hood

b = Area for mounting components, 45 mm in the housing

EMG 15-LG/SET - Electronics housing



2942975

<https://www.phoenixcontact.com/us/products/2942975>

Classifications

ECLASS

ECLASS-15.0	27190301
ECLASS-13.0	27190301

ETIM

ETIM 10.0	EC001031
-----------	----------

UNSPSC

UNSPSC 21.0	31261500
-------------	----------

EMG 15-LG/SET - Electronics housing



2942975

<https://www.phoenixcontact.com/us/products/2942975>

Environmental product compliance

EU RoHS

Fulfills EU RoHS substance requirements	Yes
Exemption	6(c)

China RoHS

Environment friendly use period (EFUP)	EFUP-50
	An article-related China RoHS declaration table can be found in the download area for the respective article under "Manufacturer declaration". For all articles with EFUP-E, no China RoHS declaration table issued and required.

EU REACH SVHC

REACH candidate substance (CAS No.)	Lead(CAS: 7439-92-1)
SCIP	20e63a27-1e34-4196-84c5-c696b067f1ff

Phoenix Contact 2026 © - all rights reserved

<https://www.phoenixcontact.com>

Phoenix Contact USA
586 Fulling Mill Road
Middletown, PA 17057, United States
(+717) 944-1300
info@phoenixcon.com