

CM125-LG/H 35/BO BK - Electronics housing



2942904

<https://www.phoenixcontact.com/us/products/2942904>

Please be informed that the data shown in this PDF document is generated from our online catalog. Please find the complete data in the user documentation. Our general terms of use for downloads are valid.



Complete housing, Complete housing, with vents, width: 125 mm, depth: 102 mm, color: black (similar RAL 9005), cross connection: without bus connector, number of positions cross connector: not relevant

The figure shows versions CM 125-LG/H 35/BO/DB/GH

Your advantages

- Robust housing technology
- Easy snap-on mounting on symmetrical DIN rails in accordance with EN 60715
- Touch-proof and contamination-proof accommodation of the electronics
- Flexible accommodation of different connection elements (from high-position connectors to electronic PCB terminal blocks)

Commercial data

| | |
|--------------------------------------|---------------|
| Item number | 2942904 |
| Packing unit | 5 pc |
| Minimum order quantity | 1 pc |
| Sales key | AC11 |
| Product key | ACHCDA |
| GTIN | 4017918080907 |
| Weight per piece (including packing) | 324.4 g |
| Weight per piece (excluding packing) | 322 g |
| Customs tariff number | 84879090 |
| Country of origin | DE |

2942904

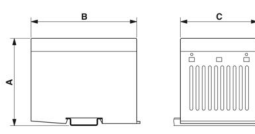
<https://www.phoenixcontact.com/us/products/2942904>

Technical data

Product properties

| | |
|------------------------------|-----------------------------------|
| Product type | Complete housing |
| Housing type | Complete housing |
| Housing series | CM |
| Product family | CM LG |
| Type | Housing closed, ventilation slots |
| Ventilation openings present | yes |

Dimensions

| | |
|---------------------|--|
| Dimensional drawing |  |
| Width | 125 mm |
| Depth | 102 mm |

Material specifications

| | |
|--|-----------------------------|
| Color (Housing) | black (RAL 9005) |
| Material Housing | PC (glass-fiber reinforced) |
| Flammability rating according to UL 94 | V0 |
| Surface characteristics | untreated |

Environmental and real-life conditions

Ambient conditions

| | |
|---------------------------------|--|
| Ambient temperature (operation) | -40 °C ... 105 °C (depending on power dissipation) |
|---------------------------------|--|

Mounting

| | |
|---------------|-------------------|
| Mounting type | DIN rail mounting |
|---------------|-------------------|

CM125-LG/H 35/BO BK - Electronics housing

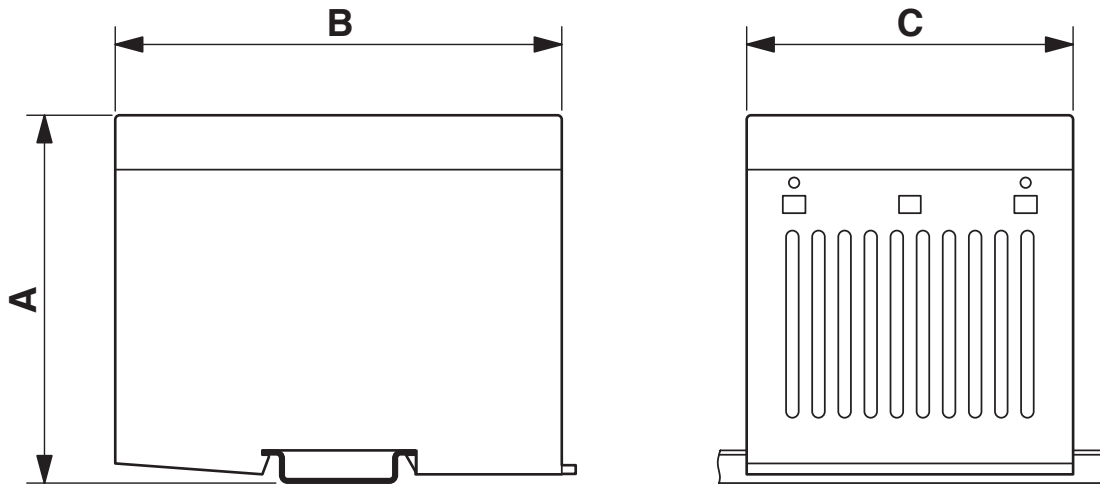


2942904

<https://www.phoenixcontact.com/us/products/2942904>

Drawings

Dimensional drawing



Dimension A: 138 mm; dimension B: 102 mm; dimension C: 125 mm

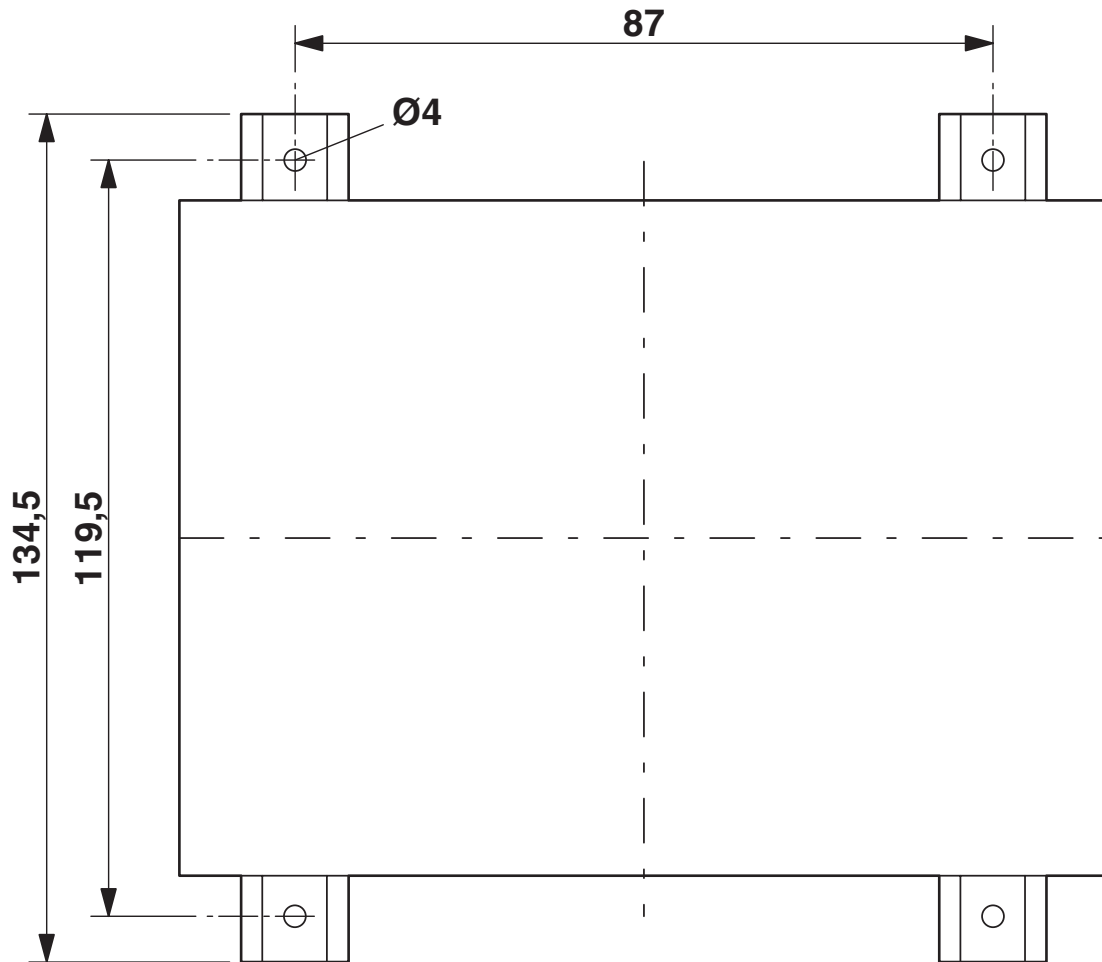
CM125-LG/H 35/BO BK - Electronics housing



2942904

<https://www.phoenixcontact.com/us/products/2942904>

Dimensional drawing



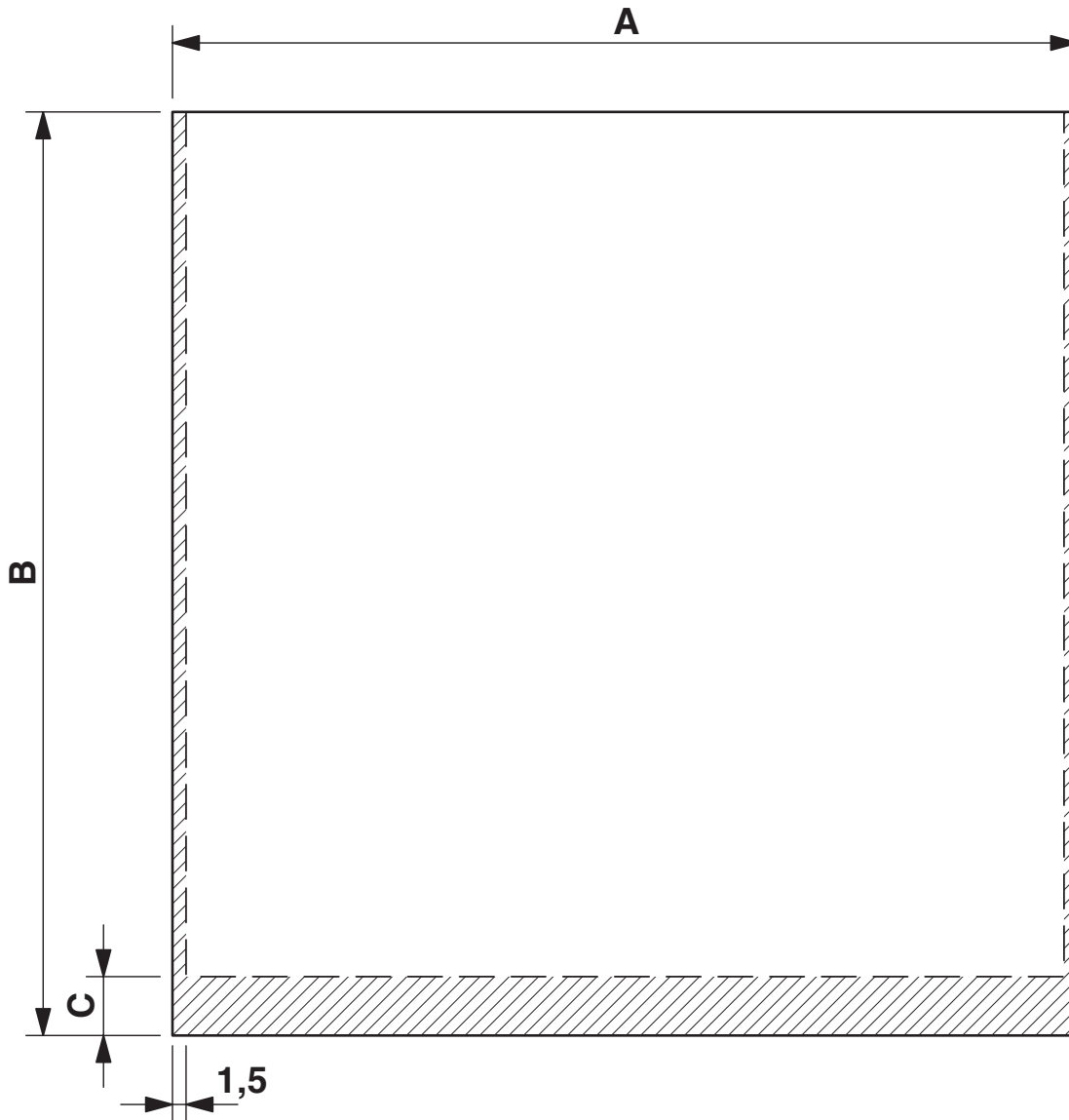
CM125-LG/H 35/BO BK - Electronics housing



2942904

<https://www.phoenixcontact.com/us/products/2942904>

Dimensional drawing

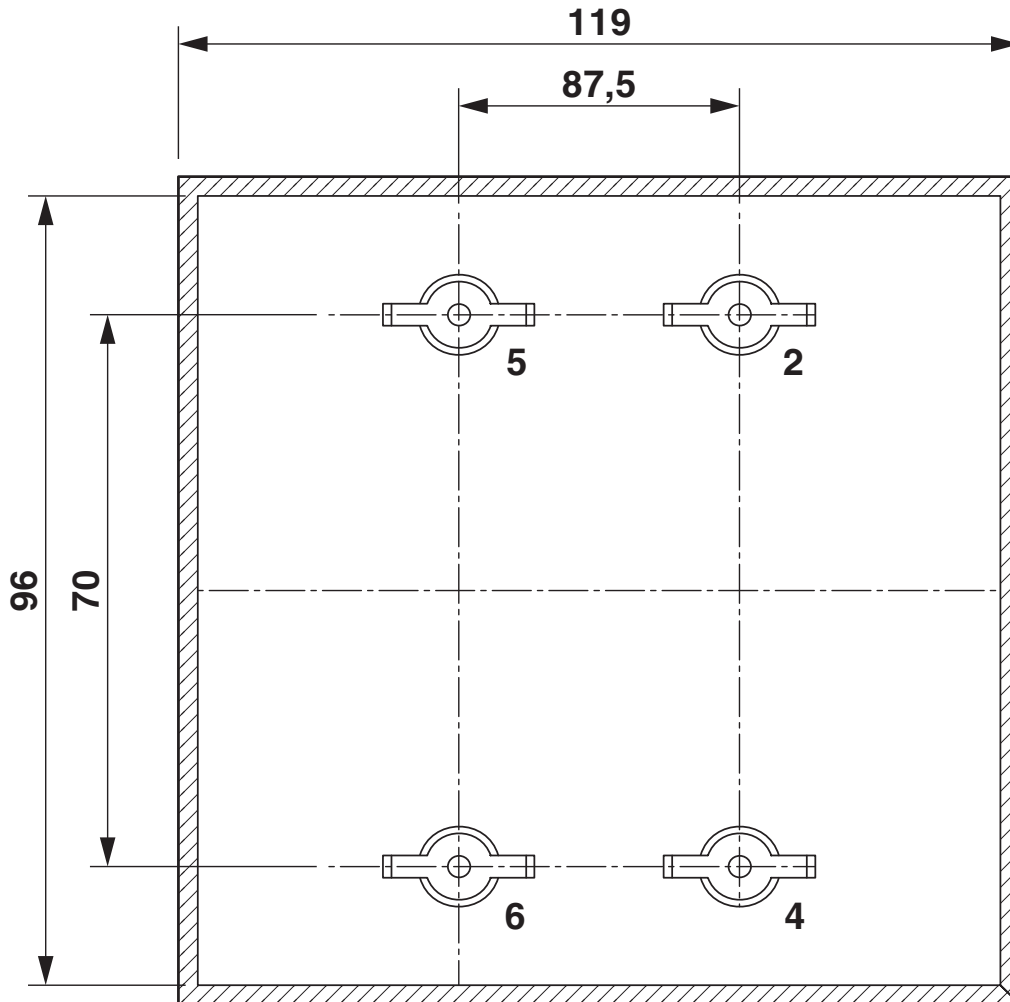


PCB 1, 7: Dimension A: 122.5 mm; B: 124.8 mm; C: 0 mm

PCB 8, 13: Dimension A: 100.0 mm; B: 124.8 mm; C: 6.5 mm

PCB 9-12: Dimension A: 100.0 mm; B: 124.8 mm; C: 0 mm

Dimensional drawing



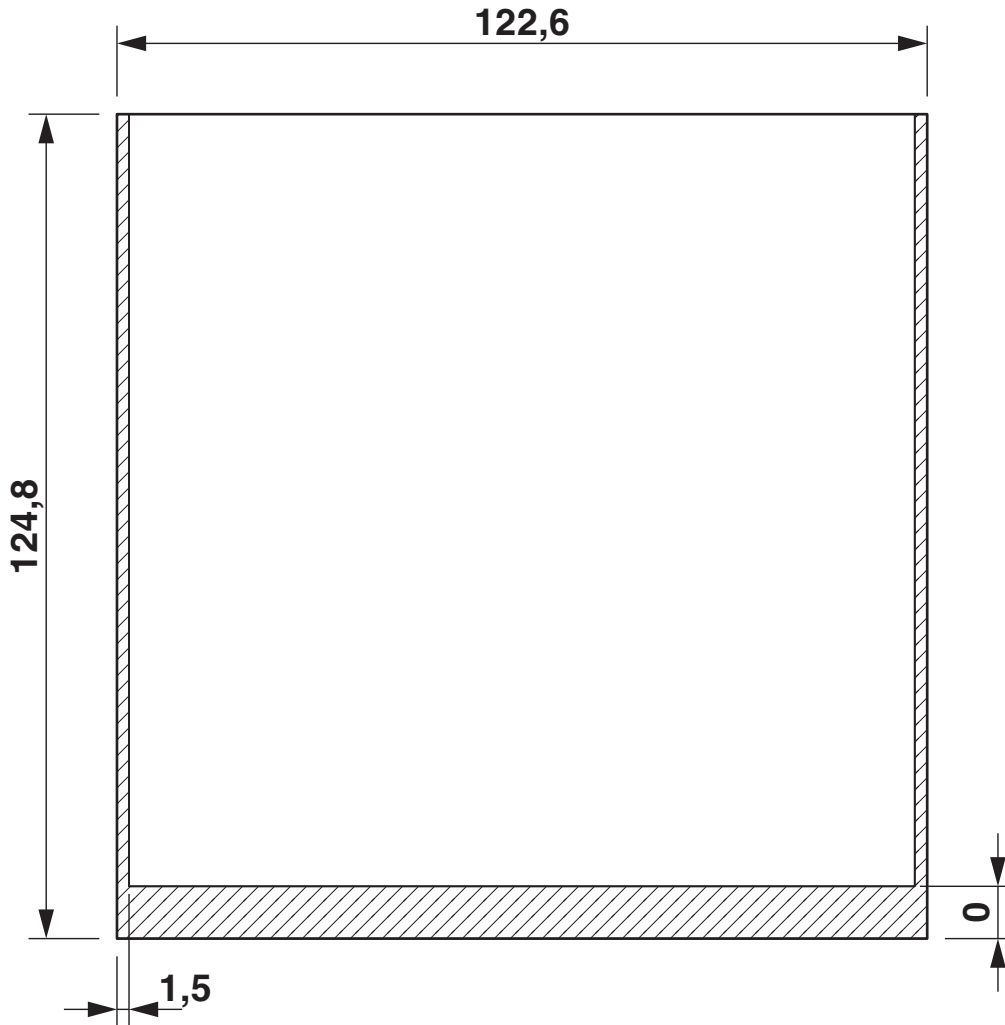
CM125-LG/H 35/BO BK - Electronics housing



2942904

<https://www.phoenixcontact.com/us/products/2942904>

Dimensional drawing



valid for PCB 1 and 7, see explosion drawing

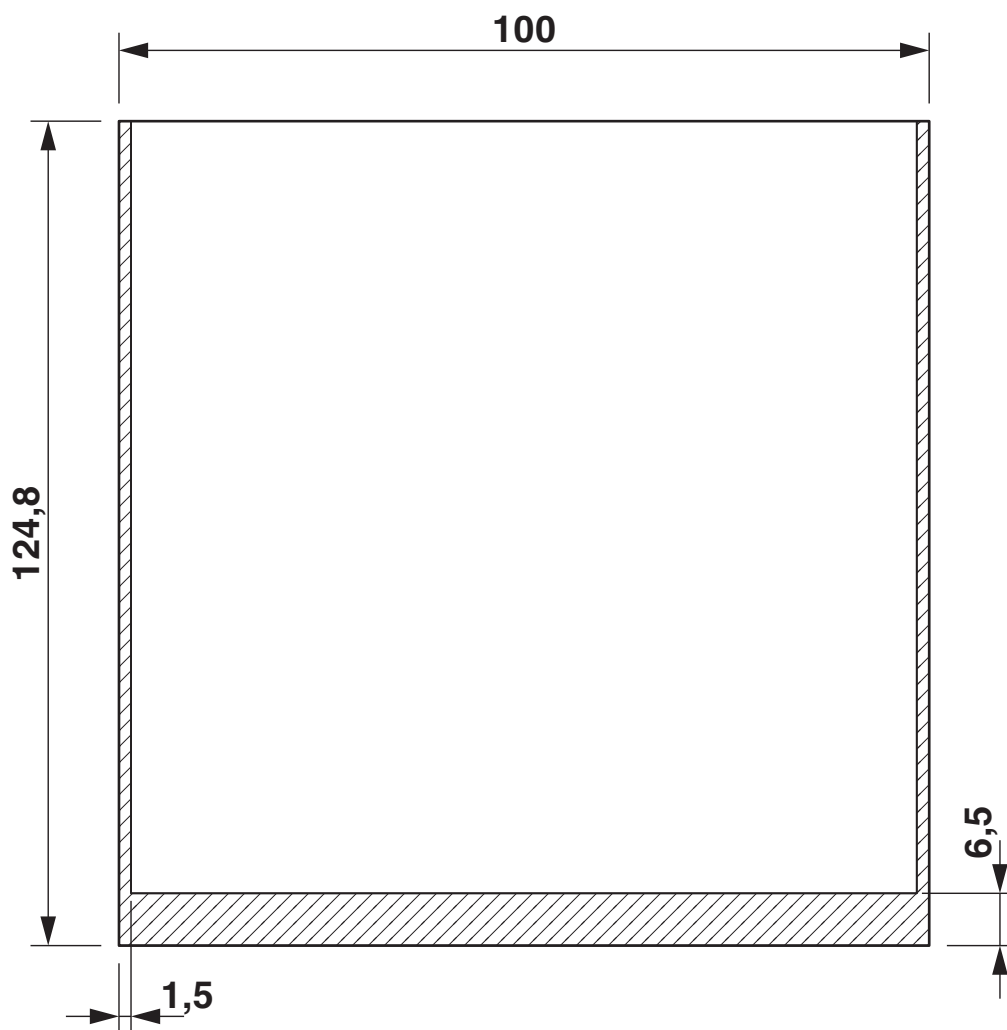
CM125-LG/H 35/BO BK - Electronics housing



2942904

<https://www.phoenixcontact.com/us/products/2942904>

Dimensional drawing



valid for PCB 8 and 13, see explosion drawing

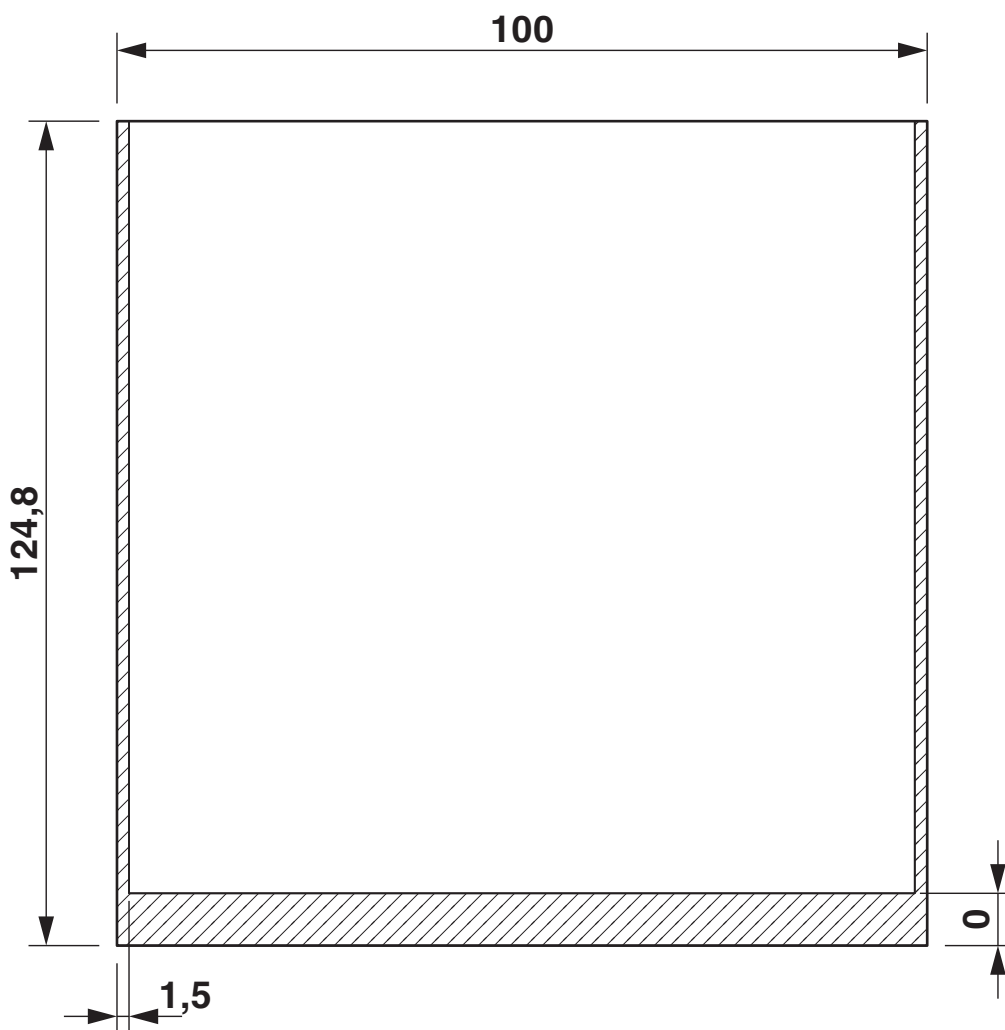
CM125-LG/H 35/BO BK - Electronics housing



2942904

<https://www.phoenixcontact.com/us/products/2942904>

Dimensional drawing



valid for PCB 9 to 12, see explosion drawing

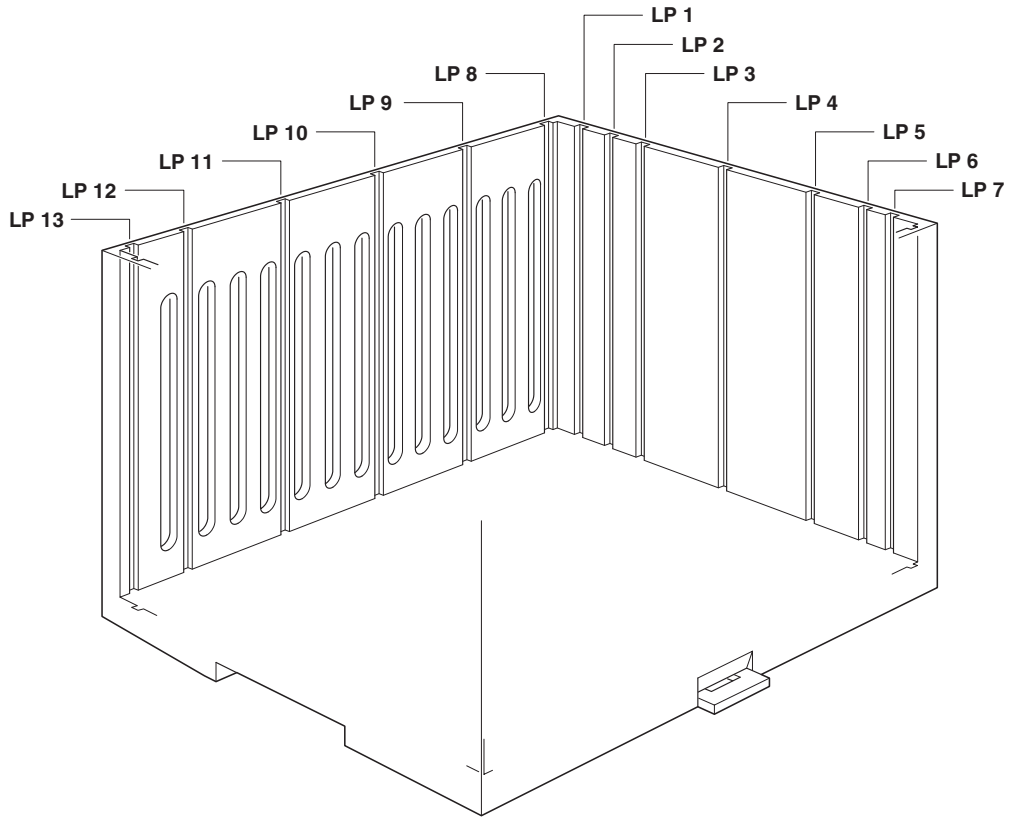
CM125-LG/H 35/BO BK - Electronics housing



2942904

<https://www.phoenixcontact.com/us/products/2942904>

Schematic diagram



CM125-LG/H 35/BO BK - Electronics housing



2942904

<https://www.phoenixcontact.com/us/products/2942904>

Classifications

ECLASS

| | |
|-------------|----------|
| ECLASS-13.0 | 27190101 |
| ECLASS-15.0 | 27190101 |

ETIM

| | |
|-----------|----------|
| ETIM 10.0 | EC001031 |
|-----------|----------|

UNSPSC

| | |
|-------------|----------|
| UNSPSC 21.0 | 31261500 |
|-------------|----------|

CM125-LG/H 35/BO BK - Electronics housing



2942904

<https://www.phoenixcontact.com/us/products/2942904>

Environmental product compliance

EU RoHS

| | |
|---|--------------------|
| Fulfills EU RoHS substance requirements | Yes, No exemptions |
|---|--------------------|

China RoHS

| | |
|--|--|
| Environment friendly use period (EFUP) | EFUP-E |
| | No hazardous substances above the limits |

EU REACH SVHC

| | |
|-------------------------------------|----------------------------|
| REACH candidate substance (CAS No.) | No substance above 0.1 wt% |
|-------------------------------------|----------------------------|

Phoenix Contact 2026 © - all rights reserved
<https://www.phoenixcontact.com>

Phoenix Contact USA
586 Fulling Mill Road
Middletown, PA 17057, United States
(+717) 944-1300
info@phoenixcon.com