

SISM 45 - Mounting panel

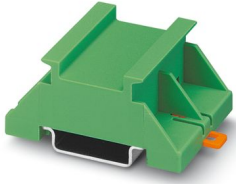
2942865

<https://www.phoenixcontact.com/us/products/2942865>



Please be informed that the data shown in this PDF document is generated from our online catalog. Please find the complete data in the user documentation. Our general terms of use for downloads are valid.

Mounting panel for screwing on switching devices, low version



Commercial data

Item number	2942865
Packing unit	10 pc
Minimum order quantity	1 pc
Sales key	AC06
Product key	ACGEAC
GTIN	4017918131128
Weight per piece (including packing)	15.48 g
Weight per piece (excluding packing)	15.48 g
Customs tariff number	39269097
Country of origin	DE

SISM 45 - Mounting panel

2942865

<https://www.phoenixcontact.com/us/products/2942865>

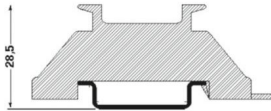


Technical data

Product properties

Product type	Mounting material
Housing type	DIN rail adapter
Type	closed version, low

Dimensions

Dimensional drawing	
Width	45 mm
Length	60 mm

Material specifications

Color (Housing)	green (RAL 6021)
Material Housing	PC (fiber-reinforced)

Environmental and real-life conditions

Ambient conditions

Ambient temperature (operation)	-40 °C ... 105 °C
---------------------------------	-------------------

SISM 45 - Mounting panel

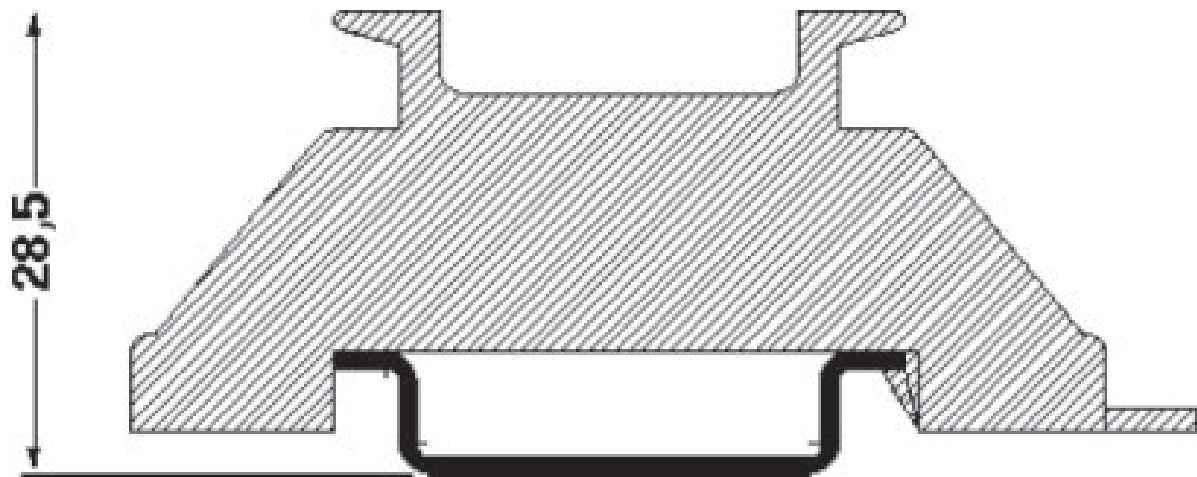
2942865

<https://www.phoenixcontact.com/us/products/2942865>



Drawings

Dimensional drawing



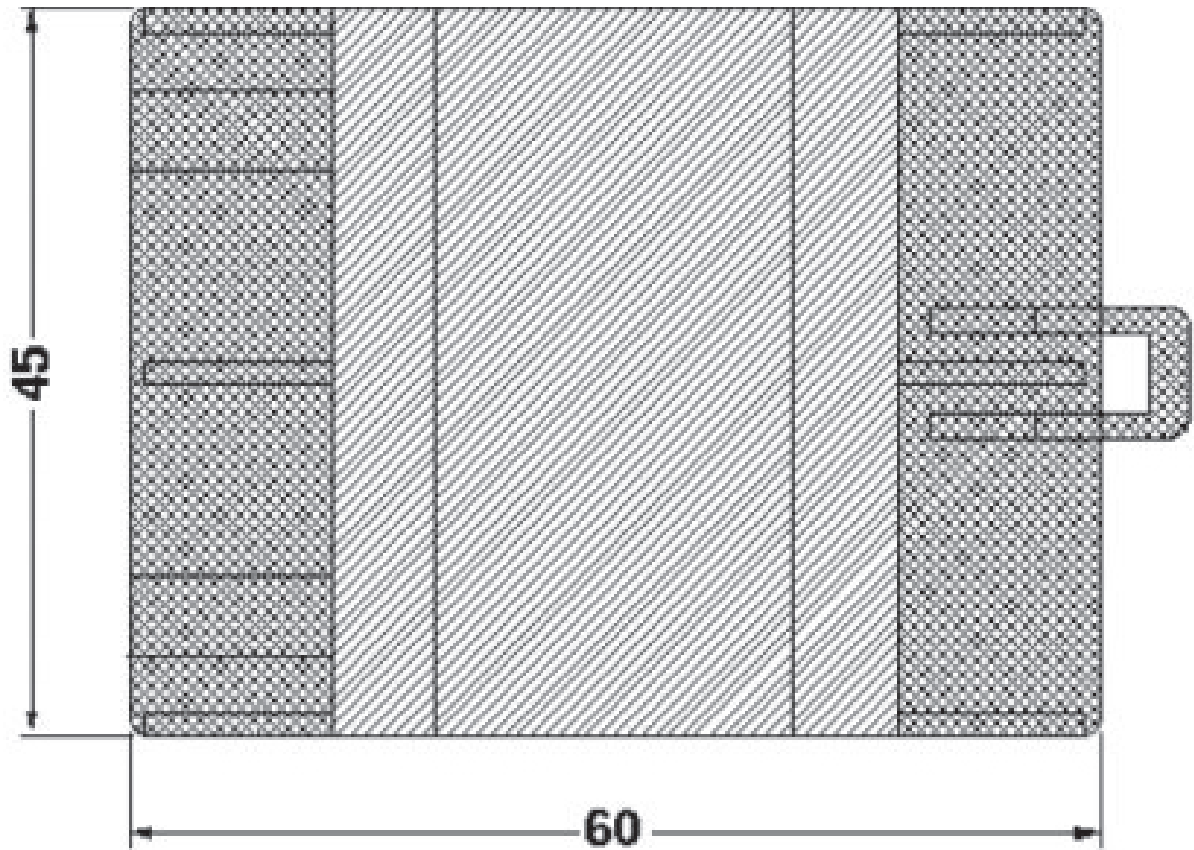
SISM 45 - Mounting panel

2942865

<https://www.phoenixcontact.com/us/products/2942865>



Dimensional drawing



SISM 45 - Mounting panel

2942865

<https://www.phoenixcontact.com/us/products/2942865>



Classifications

ECLASS

ECLASS-13.0	27190605
ECLASS-15.0	27190605

ETIM

ETIM 10.0	EC002779
-----------	----------

UNSPSC

UNSPSC 21.0	31261500
-------------	----------

SISM 45 - Mounting panel

2942865

<https://www.phoenixcontact.com/us/products/2942865>



Environmental product compliance

EU RoHS

Fulfills EU RoHS substance requirements	Yes, No exemptions
---	--------------------

China RoHS

Environment friendly use period (EFUP)	EFUP-E
	No hazardous substances above the limits

EU REACH SVHC

REACH candidate substance (CAS No.)	No substance above 0.1 wt%
-------------------------------------	----------------------------

EF3.1 Climate Change

CO2e kg	0.22 kg CO2e
---------	--------------

Phoenix Contact 2026 © - all rights reserved
<https://www.phoenixcontact.com>

Phoenix Contact USA
586 Fulling Mill Road
Middletown, PA 17057, United States
(+717) 944-1300
info@phoenixcon.com