

EMG 17-OV- 24DC/ 48DC/2 - Solid-state relay module



2942810

<https://www.phoenixcontact.com/us/products/2942810>

Please be informed that the data shown in this PDF document is generated from our online catalog. Please find the complete data in the user documentation. Our general terms of use for downloads are valid.



Solid-state relay interface designed to prevent interference on the control side, input: 24 V DC, output: 48 V DC/2 A

Your advantages

- Use of AC output cards, resulting in residual AC currents
- Resistant to interference currents
- Applications with long control lines
- High relay release voltage

Commercial data

Item number	2942810
Packing unit	10 pc
Minimum order quantity	1 pc
Sales key	C460
Product key	DK61C1
GTIN	4017918080860
Weight per piece (including packing)	87.6 g
Weight per piece (excluding packing)	86.82 g
Customs tariff number	85364190
Country of origin	DE

Technical data

Notes

Utilization restriction

EMC note	EMC: class A product, see manufacturer's declaration in the download area
----------	---

Product properties

Product type	Solid-state relay module
Application	Filter to prevent interference
Operating mode	100% operating factor

Insulation characteristics

Insulation	Basic insulation
Overvoltage category	III
Pollution degree	2

Data management status

Date of last data management	15.04.2026
------------------------------	------------

Electrical properties

Maximum power dissipation for nominal condition	0.19 W
Test voltage (Input/output)	3.5 kV AC (Input/output)

Input data

Nominal input voltage U_N	24 V DC
Input voltage range in reference to U_N	0.8 ... 1.2
Input voltage range	19.2 V DC ... 28.8 V DC
Switching threshold "0" signal, voltage	≤ 16 V DC
Switching threshold "1" signal voltage	≥ 16.8 V DC
Typical input current at U_N	8 mA
Typical response time	20 μ s
Typical turn-off time	200 μ s
Status display	LED (yellow)
Protective circuit	Reverse polarity protection; Polarity protection diode
Transmission frequency	300 Hz

Output data

Contact switching type	1 N/O contact
Design of digital output	electronic
Output nominal voltage	48 V DC
Output voltage range	12 V DC ... 48 V DC
Limiting continuous current	2 A (see derating curve)
Maximum inrush current	5 A ($t = 1$ s)

Peak offstate voltage	60 V DC (Collector-emitter reverse voltage)
Voltage drop at max. limiting continuous current	1.1 V
Output circuit	3-conductor, ground-referenced
Protective circuit	Reverse polarity protection; Polarity protection diode Surge protection; Suppressor diode

Connection data

Input side

Connection method	Screw connection
Stripping length	8 mm
Screw thread	M3
Conductor cross-section rigid	0.2 mm ² ... 4 mm ²
Conductor cross-section flexible	0.2 mm ² ... 2.5 mm ²
Conductor cross-section AWG	24 ... 12
Tightening torque	0.5 Nm ... 0.6 Nm

Output side

Connection method	Screw connection
Stripping length	8 mm
Screw thread	M3
Conductor cross-section rigid	0.2 mm ² ... 4 mm ²
Conductor cross-section flexible	0.2 mm ² ... 2.5 mm ²
Conductor cross-section AWG	24 ... 12

Dimensions

Item dimensions

Width	17.5 mm
Height	75 mm
Depth	102 mm

Material specifications

Color	green (RAL 6021)
Flammability rating according to UL 94	V0

Environmental and real-life conditions

Ambient conditions

Degree of protection	IP20
Ambient temperature (operation)	-10 °C ... 55 °C
Ambient temperature (storage/transport)	-10 °C ... 70 °C

Standards and regulations

Standards/regulations	IEC 60664 EN 50178
-----------------------	-----------------------

EMG 17-OV- 24DC/ 48DC/2 - Solid-state relay module



2942810

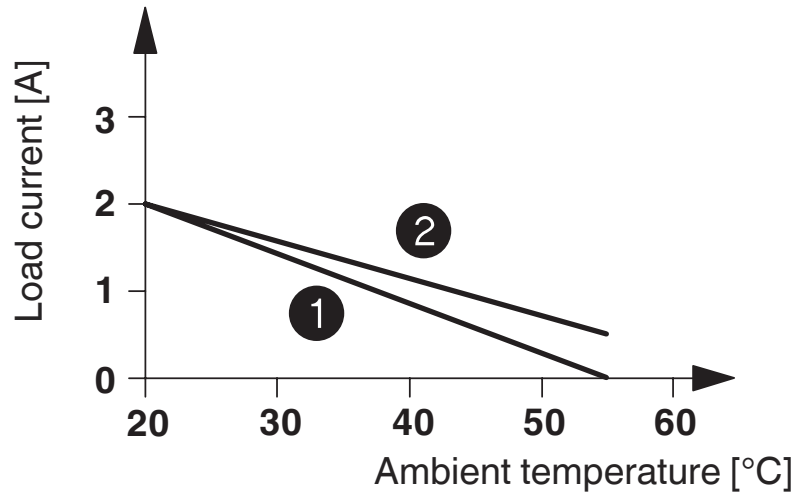
<https://www.phoenixcontact.com/us/products/2942810>

Mounting

Mounting type	DIN rail mounting
Assembly note	Mounted in rows with zero spacing: Horizontal/not in rows: Any

Drawings

Diagram

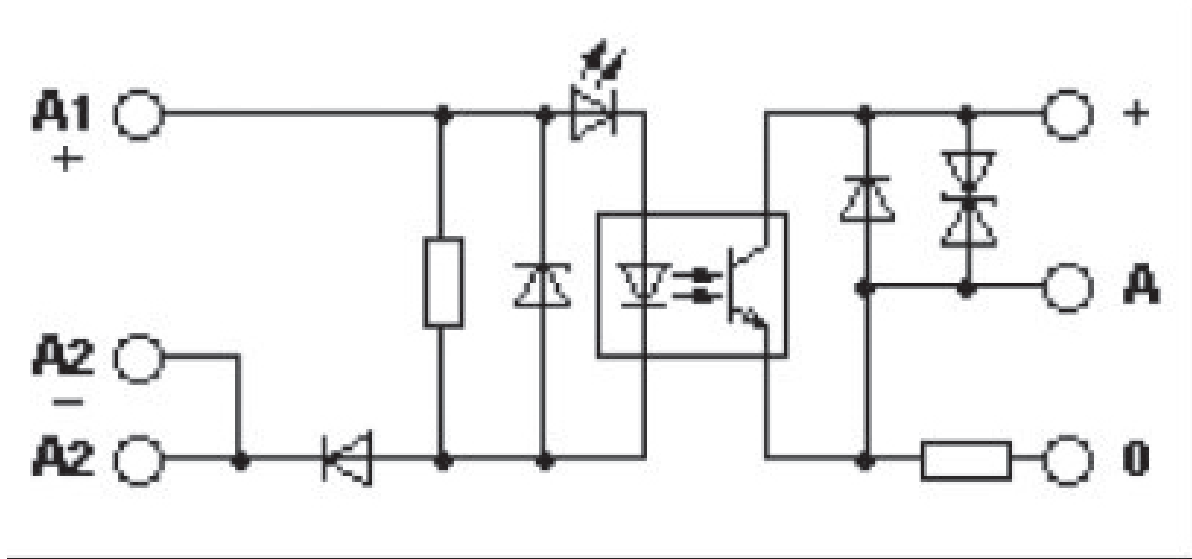


- ① In rows with zero spacing
- ② stand-alone device

2942810

<https://www.phoenixcontact.com/us/products/2942810>

Circuit diagram



EMG 17-OV- 24DC/ 48DC/2 - Solid-state relay module



2942810

<https://www.phoenixcontact.com/us/products/2942810>

Approvals

To download certificates, visit the product detail page: <https://www.phoenixcontact.com/us/products/2942810>



EAC

Approval ID: RU*C-DE.*08.B.00010

EMG 17-OV- 24DC/ 48DC/2 - Solid-state relay module



2942810

<https://www.phoenixcontact.com/us/products/2942810>

Classifications

ECLASS

ECLASS-13.0	27371604
ECLASS-15.0	27371604

ETIM

ETIM 10.0	EC001504
-----------	----------

UNSPSC

UNSPSC 21.0	39122300
-------------	----------

Environmental product compliance

EU RoHS

Fulfills EU RoHS substance requirements	Yes
Exemption	6(c), 7(a), 7(c)-I

China RoHS

Environment friendly use period (EFUP)	EFUP-50
	An article-related China RoHS declaration table can be found in the download area for the respective article under "Manufacturer declaration". For all articles with EFUP-E, no China RoHS declaration table issued and required.

EU REACH SVHC

REACH candidate substance (CAS No.)	Hexahydromethylphthalic anhydride(CAS: n/a)
	Lead(CAS: 7439-92-1)
SCIP	a9d395c3-c83d-4921-bc51-00469cb7224c

EF3.1 Climate Change

CO2e kg	1.931 kg CO2e
---------	---------------