

# EMUG 22- 4REL/KSR-G 24/ 1AU - Multiple relay module



2942399

<https://www.phoenixcontact.com/us/products/2942399>

Please be informed that the data shown in this PDF document is generated from our online catalog. Please find the complete data in the user documentation. Our general terms of use for downloads are valid.



Relay module, multi-channel, with 4 soldered-in miniature switching relays for DC voltage with light indicator and 1 N/O contact each, contact for small to large loads, input voltage 24 V DC

## Commercial data

Item number	2942399
Packing unit	5 pc
Minimum order quantity	1 pc
Note	Made to order (non-returnable)
Sales key	C460
Product key	DK61E3
GTIN	4017918080716
Weight per piece (including packing)	84 g
Weight per piece (excluding packing)	84 g
Customs tariff number	85364190
Country of origin	DE

# EMUG 22- 4REL/KSR-G 24/ 1AU - Multiple relay module



2942399

<https://www.phoenixcontact.com/us/products/2942399>

## Technical data

### Product properties

Product type	Relay Module
Operating mode	100% operating factor
Mechanical service life	approx. $2 \times 10^7$ cycles

### Insulation characteristics

Overvoltage category	III
Pollution degree	2

### Data management status

Date of last data management	01.04.2026
------------------------------	------------

### Electrical properties

Maximum power dissipation for nominal condition	0.29 W
Test voltage (Winding/contact)	2.5 kV AC (50 Hz, 1 min., winding/contact)

### Input data

#### Coil side

Nominal input voltage $U_N$	24 V DC
Input voltage range	19.2 V DC ... 26.4 V DC (20 °C)
Drive and function	monostable
Drive (polarity)	polarized
Typical input current at $U_N$	12 mA
Typical response time	7 ms
Typical release time	8 ms
Protective circuit	Damping diode, polarity protection; Damping diode, polarity protection diode, bridge rectifier at AC input
Operating voltage display	yes

### Output data

#### Switching

Contact switching type	1 N/O contact
Type of switch contact	Single contact
Contact material	AgNi, hard gold-plated
Maximum switching voltage	60 V AC/DC
Limiting continuous current	2 A
Maximum inrush current	0.2 A
Interrupting rating (ohmic load) max.	5 W (at 24 V DC) 10 W (at 48 V DC) 12 W (at 60 V DC) 12 VA (for 60 V AC)

# EMUG 22- 4REL/KSR-G 24/ 1AU - Multiple relay module



2942399

<https://www.phoenixcontact.com/us/products/2942399>

Switching: when the gold layer is destroyed

Note	the following values are applicable if a gold layer is destroyed
Maximum switching voltage	250 V AC/DC
Limiting continuous current	6 A
Maximum inrush current	6 A
Interrupting rating (ohmic load) max.	144 W (at 24 V DC)
	70 W (at 48 V DC)
	55 W (at 60 V DC)
	60 W (at 100 V DC)
	65 W (at 220 V DC)
	1500 VA (for 250 V AC)

## Dimensions

Item dimensions

Width	22.5 mm
Height	60 mm
Depth	79 mm

## Environmental and real-life conditions

Ambient conditions

Ambient temperature (operation)	-20 °C ... 55 °C
---------------------------------	------------------

## Standards and regulations

Standards/regulations	IEC 60664
	IEC 60664A
	DIN VDE 0110
	DIN VDE 0109-11, draft
	IEC 60255/DIN VDE 0435 (in relevant parts)

## Mounting

Mounting type	DIN rail mounting
Assembly note	in rows with zero spacing
Mounting position	any

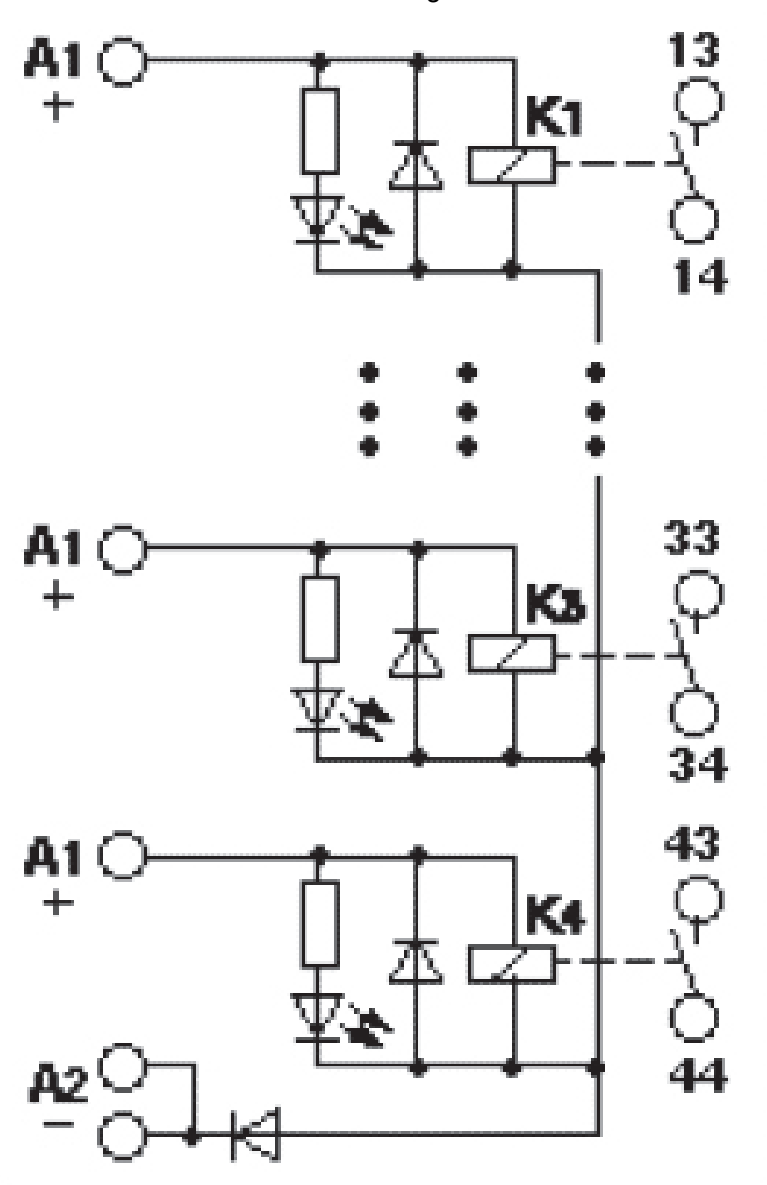
# EMUG 22- 4REL/KSR-G 24/ 1AU - Multiple relay module

2942399

<https://www.phoenixcontact.com/us/products/2942399>

## Drawings

Circuit diagram



# EMUG 22- 4REL/KSR-G 24/ 1AU - Multiple relay module



2942399

<https://www.phoenixcontact.com/us/products/2942399>

## Classifications

### ECLASS

ECLASS-13.0	27371601
ECLASS-15.0	27371601

### ETIM

ETIM 10.0	EC001437
-----------	----------

### UNSPSC

UNSPSC 21.0	39122300
-------------	----------

# EMUG 22- 4REL/KSR-G 24/ 1AU - Multiple relay module



2942399

<https://www.phoenixcontact.com/us/products/2942399>

## Environmental product compliance

### EU RoHS

Fulfills EU RoHS substance requirements	Yes
Exemption	7(a), 7(c)-I

### China RoHS

Environment friendly use period (EFUP)	EFUP-50
	An article-related China RoHS declaration table can be found in the download area for the respective article under "Manufacturer declaration". For all articles with EFUP-E, no China RoHS declaration table issued and required.

### EU REACH SVHC

REACH candidate substance (CAS No.)	Lead(CAS: 7439-92-1)
SCIP	744f7db2-5946-443a-9513-778fd71027bc

### EF3.1 Climate Change

CO2e kg	2.443 kg CO2e
---------	---------------

Phoenix Contact 2026 © - all rights reserved  
<https://www.phoenixcontact.com>

Phoenix Contact USA  
586 Fulling Mill Road  
Middletown, PA 17057, United States  
(+717) 944-1300  
[info@phoenixcon.com](mailto:info@phoenixcon.com)