

EMG 30-SPK-10K LIN - Setpoint adjuster



2942137

<https://www.phoenixcontact.com/us/products/2942137>

Please be informed that the data shown in this PDF document is generated from our online catalog. Please find the complete data in the user documentation. Our general terms of use for downloads are valid.



Cascading setpoint value potentiometer, for selecting presettable setpoints via a 24 V control signal, resistance value 10 k Ω

Commercial data

Item number	2942137
Packing unit	10 pc
Minimum order quantity	1 pc
Sales key	C404
Product key	DK1129
GTIN	4017918080624
Weight per piece (including packing)	68.21 g
Weight per piece (excluding packing)	68.21 g
Customs tariff number	85334010
Country of origin	DE

EMG 30-SPK-10K LIN - Setpoint adjuster

2942137

<https://www.phoenixcontact.com/us/products/2942137>

Technical data

Product properties

Product type	Setpoint potentiometer
--------------	------------------------

Electrical properties

Test voltage relay winding/relay contact	1 kV AC
--	---------

Input data

Coil side

Nominal input voltage U_N	24 V \pm 25 %
Typical response time	< 10 ms
Typical release time	< 10 ms
Protective circuit	Damping diode, polarity protection diode
Operating voltage display	yes

Potentiometer

Potentiometer, resistance value	10 k Ω \pm 20 %
Linearity	5 % (of final value)
Potentiometer, current-carrying capacity	0.5 W

Output data

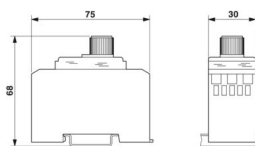
Switching:

Contact material	Fixed contacts: Silver palladium (AgPdAu), 3 μ m hard gold-plated
	Mobile contacts: Silver palladium (AgPd)
Maximum switching voltage	10 V (depending on application)
Mechanical service life	> 2x 10 ⁷ cycles

Connection data

Connection method	Screw connection
Stripping length	8 mm
Screw thread	M3
Conductor cross-section rigid	0.2 mm ² ... 4 mm ²
Conductor cross-section flexible	0.2 mm ² ... 2.5 mm ²
Conductor cross-section AWG	24 ... 12

Dimensions

Dimensional drawing	
---------------------	--

EMG 30-SPK-10K LIN - Setpoint adjuster



2942137

<https://www.phoenixcontact.com/us/products/2942137>

Width	30 mm
Height	75 mm
Depth	68 mm

Material specifications

Color	green (RAL 6021)
Housing material	Polycarbonate fiber reinforced PC-F

Environmental and real-life conditions

Ambient conditions

Ambient temperature (operation)	0 °C ... 40 °C
---------------------------------	----------------

Mounting

Mounting type	DIN rail mounting
Mounting position	any

EMG 30-SPK-10K LIN - Setpoint adjuster

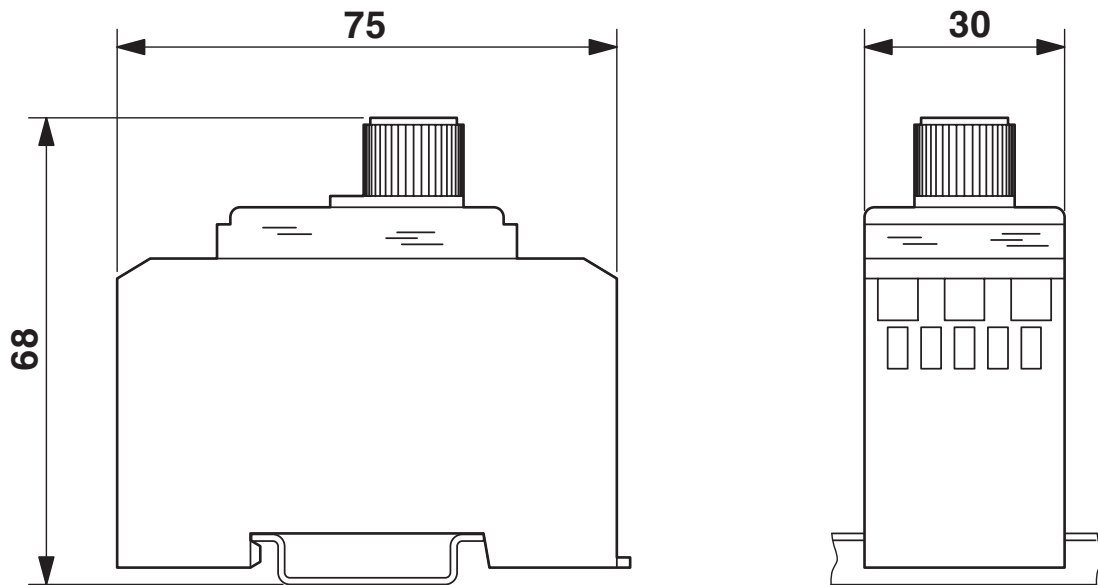
2942137

<https://www.phoenixcontact.com/us/products/2942137>



Drawings

Dimensional drawing

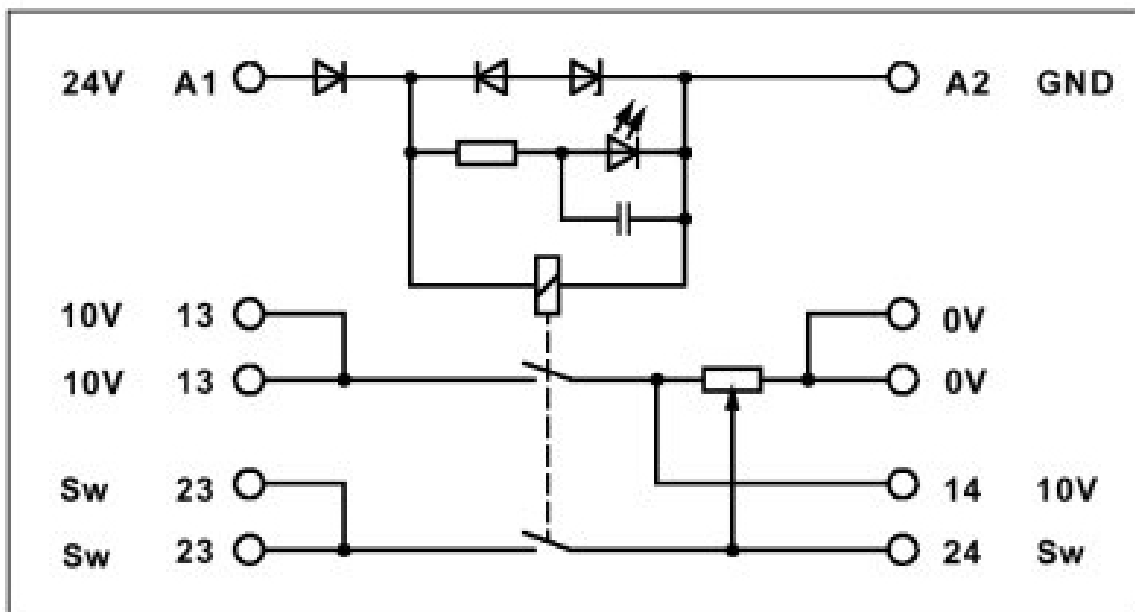


EMG 30-SPK-10K LIN - Setpoint adjuster

2942137

<https://www.phoenixcontact.com/us/products/2942137>

Block diagram



EMG 30-SPK-10K LIN - Setpoint adjuster



2942137

<https://www.phoenixcontact.com/us/products/2942137>

Approvals

To download certificates, visit the product detail page: <https://www.phoenixcontact.com/us/products/2942137>



EAC

Approval ID: RU C-DE.A*30.B.01082

EMG 30-SPK-10K LIN - Setpoint adjuster



2942137

<https://www.phoenixcontact.com/us/products/2942137>

Classifications

ECLASS

ECLASS-13.0	27371227
ECLASS-15.0	27371227

ETIM

ETIM 10.0	EC001027
-----------	----------

UNSPSC

UNSPSC 21.0	41113600
-------------	----------

EMG 30-SPK-10K LIN - Setpoint adjuster



2942137

<https://www.phoenixcontact.com/us/products/2942137>

Environmental product compliance

EU RoHS

Fulfills EU RoHS substance requirements	Yes
Exemption	34, 7(a), 7(c)-I

China RoHS

Environment friendly use period (EFUP)	EFUP-50
	An article-related China RoHS declaration table can be found in the download area for the respective article under "Manufacturer declaration". For all articles with EFUP-E, no China RoHS declaration table issued and required.

EU REACH SVHC

REACH candidate substance (CAS No.)	Lead(CAS: 7439-92-1)
SCIP	bbdaa46c-ba0a-48bb-bfca-6ced2a705466

EF3.1 Climate Change

CO2e kg	1.802 kg CO2e
---------	---------------

Phoenix Contact 2026 © - all rights reserved
<https://www.phoenixcontact.com>

Phoenix Contact USA
586 Fulling Mill Road
Middletown, PA 17057, United States
(+717) 944-1300
info@phoenixcon.com