

# EMG 30-SP-10K LIN - Setpoint adjuster



2942124

<https://www.phoenixcontact.com/us/products/2942124>

Please be informed that the data shown in this PDF document is generated from our online catalog. Please find the complete data in the user documentation. Our general terms of use for downloads are valid.

Setpoint value potentiometer, to set setpoints individually, resistance value 10 k $\Omega$



## Your advantages

- Voltage reference for setpoint definition in conjunction with potentiometers

## Commercial data

Item number	2942124
Packing unit	10 pc
Minimum order quantity	1 pc
Sales key	C404
Product key	DK1129
GTIN	4017918080617
Weight per piece (including packing)	53.65 g
Weight per piece (excluding packing)	53.65 g
Customs tariff number	85334010
Country of origin	DE

# EMG 30-SP-10K LIN - Setpoint adjuster

2942124

<https://www.phoenixcontact.com/us/products/2942124>

## Technical data

### Product properties

Product type	Setpoint potentiometer
--------------	------------------------

### Input data

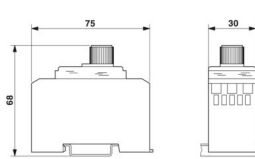
#### Potentiometer

Potentiometer, resistance value	10 k $\Omega$ $\pm$ 20 %
Linearity	5 % (of final value)
Potentiometer, current-carrying capacity	0.5 W

### Connection data

Connection method	Screw connection
Stripping length	8 mm
Screw thread	M3
Conductor cross-section rigid	0.2 mm <sup>2</sup> ... 4 mm <sup>2</sup>
Conductor cross-section flexible	0.2 mm <sup>2</sup> ... 2.5 mm <sup>2</sup>
Conductor cross-section AWG	24 ... 12
Tightening torque	0.5 Nm ... 0.6 Nm

### Dimensions

Dimensional drawing	
Width	30 mm
Height	75 mm
Depth	68 mm

### Material specifications

Color	green (RAL 6021)
Housing material	Polycarbonate fiber reinforced PC-F

### Environmental and real-life conditions

#### Ambient conditions

Ambient temperature (operation)	0 °C ... 40 °C
---------------------------------	----------------

### Mounting

Mounting type	DIN rail mounting
Mounting position	any

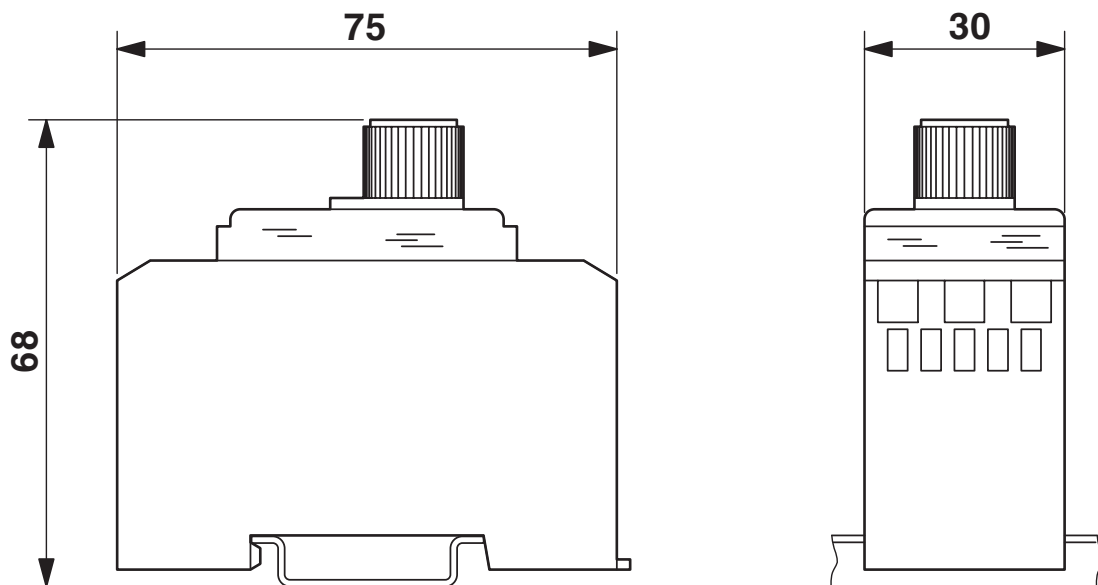
# EMG 30-SP-10K LIN - Setpoint adjuster

2942124

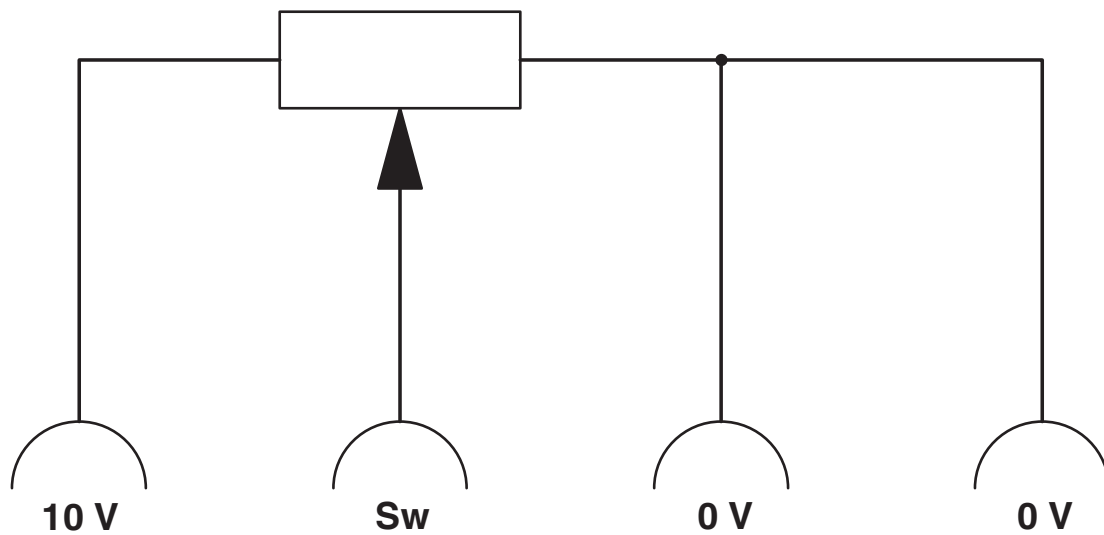
<https://www.phoenixcontact.com/us/products/2942124>

## Drawings

Dimensional drawing



Circuit diagram



# EMG 30-SP-10K LIN - Setpoint adjuster



2942124

<https://www.phoenixcontact.com/us/products/2942124>

## Approvals

To download certificates, visit the product detail page: <https://www.phoenixcontact.com/us/products/2942124>



**EAC**

Approval ID: RU C-DE.A\*30.B.01082

# EMG 30-SP-10K LIN - Setpoint adjuster



2942124

<https://www.phoenixcontact.com/us/products/2942124>

## Classifications

### ECLASS

ECLASS-13.0	27371227
ECLASS-15.0	27371227

### ETIM

ETIM 10.0	EC001027
-----------	----------

### UNSPSC

UNSPSC 21.0	41113600
-------------	----------

# EMG 30-SP-10K LIN - Setpoint adjuster



2942124

<https://www.phoenixcontact.com/us/products/2942124>

## Environmental product compliance

### EU RoHS

Fulfills EU RoHS substance requirements	Yes
Exemption	34, 6(c), 7(c)-I

### China RoHS

Environment friendly use period (EFUP)	EFUP-50
	An article-related China RoHS declaration table can be found in the download area for the respective article under "Manufacturer declaration". For all articles with EFUP-E, no China RoHS declaration table issued and required.

### EU REACH SVHC

REACH candidate substance (CAS No.)	Lead(CAS: 7439-92-1)
SCIP	08f70c33-3d86-413d-ba1f-a43c10cbc146

### EF3.1 Climate Change

CO2e kg	0.32 kg CO2e
---------	--------------

Phoenix Contact 2026 © - all rights reserved  
<https://www.phoenixcontact.com>

Phoenix Contact USA  
586 Fulling Mill Road  
Middletown, PA 17057, United States  
(+717) 944-1300  
[info@phoenixcon.com](mailto:info@phoenixcon.com)