

# CM200-LG/H 55/BO/DB/GH BK - Electronics housing



2941853

<https://www.phoenixcontact.com/us/products/2941853>

Please be informed that the data shown in this PDF document is generated from our online catalog. Please find the complete data in the user documentation. Our general terms of use for downloads are valid.



Complete housing, Complete housing, with vents, width: 200 mm, depth: 149 mm, color: black (similar RAL 9005), cross connection: without bus connector, number of positions cross connector: not relevant

## Commercial data

Item number	2941853
Packing unit	1 pc
Minimum order quantity	1 pc
Note	Made to order (non-returnable)
Sales key	AC11
Product key	ACHCDA
GTIN	4017918107703
Weight per piece (including packing)	860.4 g
Weight per piece (excluding packing)	860.4 g
Customs tariff number	84879090
Country of origin	DE

2941853

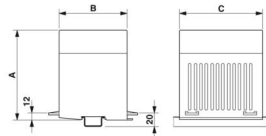
<https://www.phoenixcontact.com/us/products/2941853>

## Technical data

### Product properties

Product type	Complete housing
Housing type	Complete housing
Product family	CM LG
Type	Housing closed, ventilation slots

### Dimensions

Dimensional drawing	
Width	200 mm
Depth	149 mm

### Material specifications

Color	black (RAL 9005)
Flammability rating according to UL 94	V0
Housing material	Polycarbonate fiber reinforced

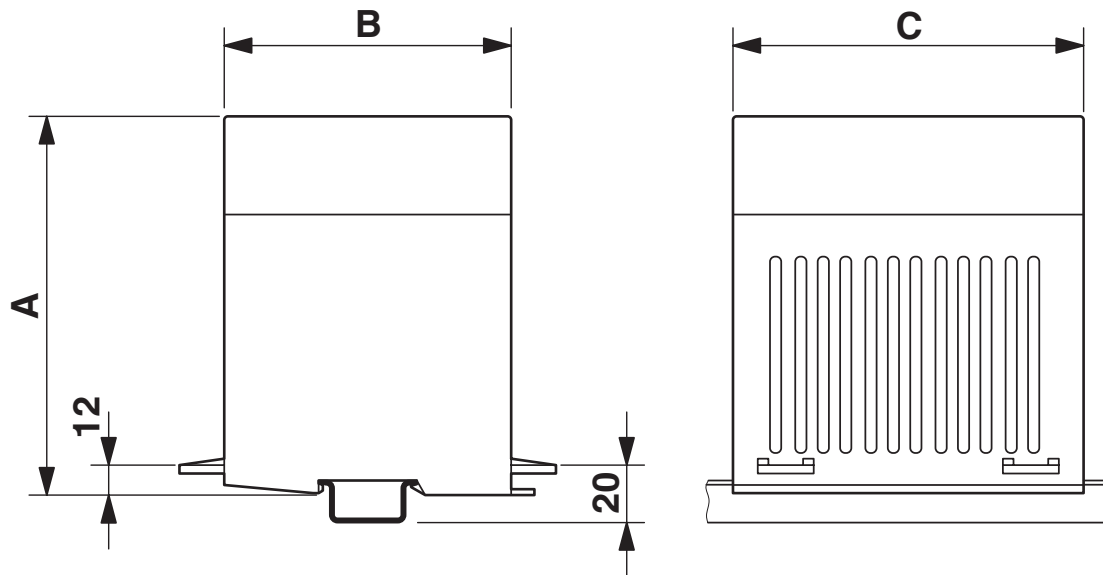
### Environmental and real-life conditions

#### Ambient conditions

Ambient temperature (operation)	-40 °C ... 105 °C (depending on power dissipation)
---------------------------------	--

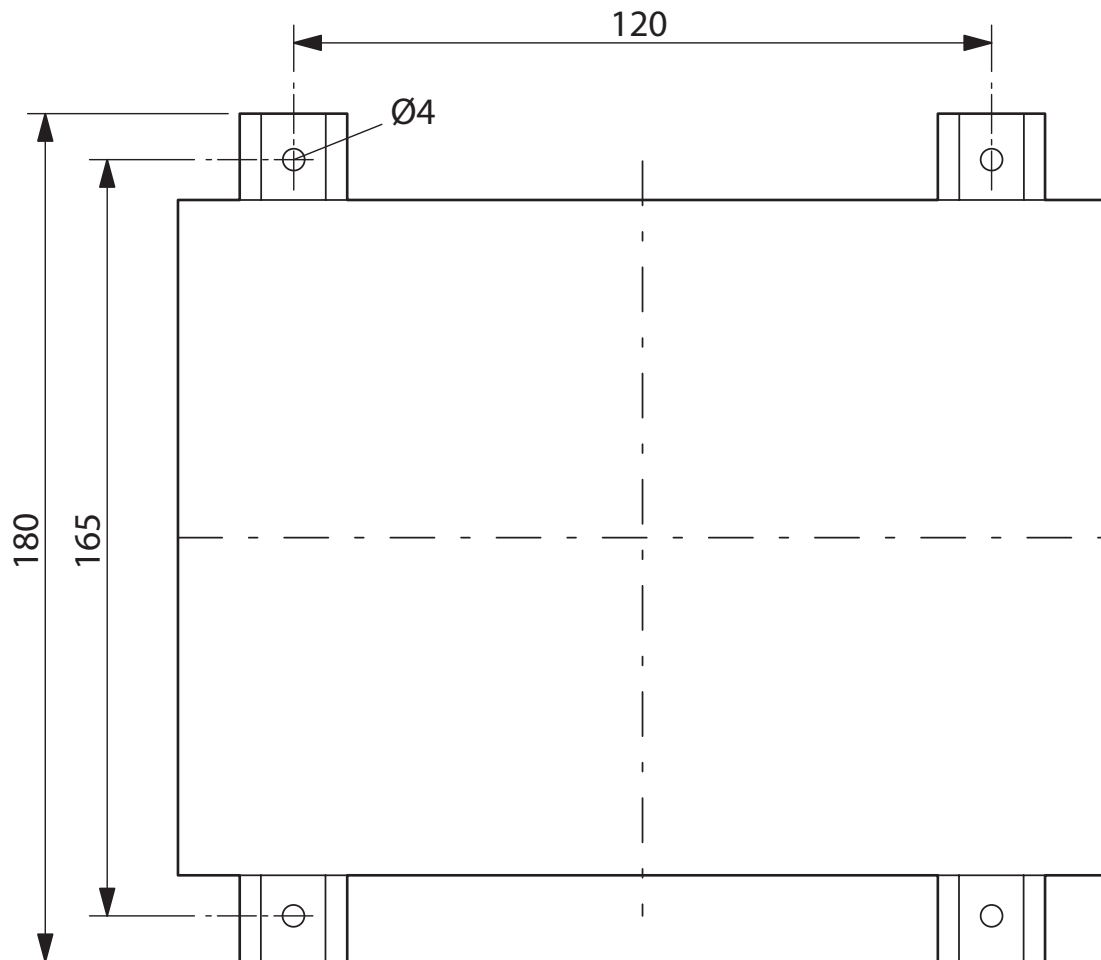
Drawings

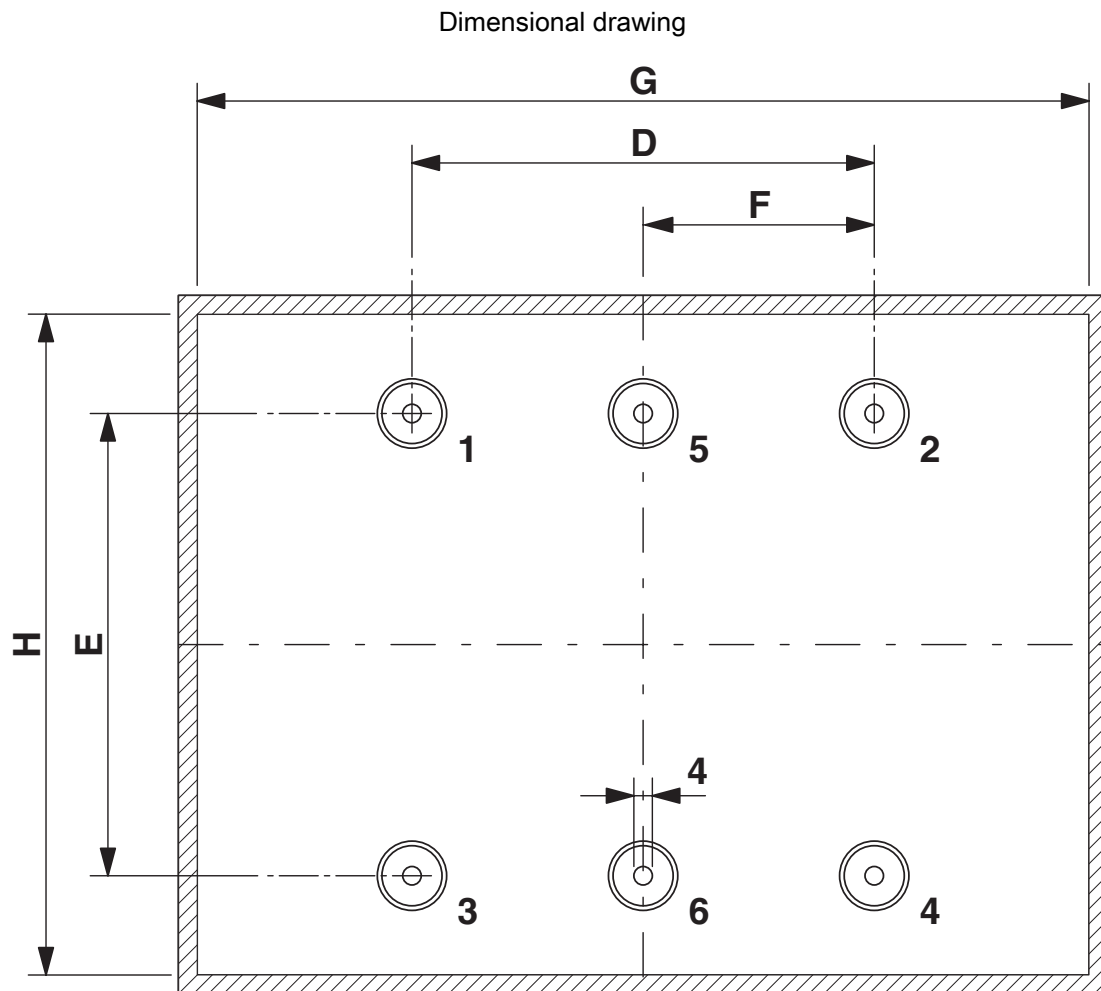
Dimensional drawing



Dimension A: 165 mm; dimension B: 149 mm; dimension C: 200 mm

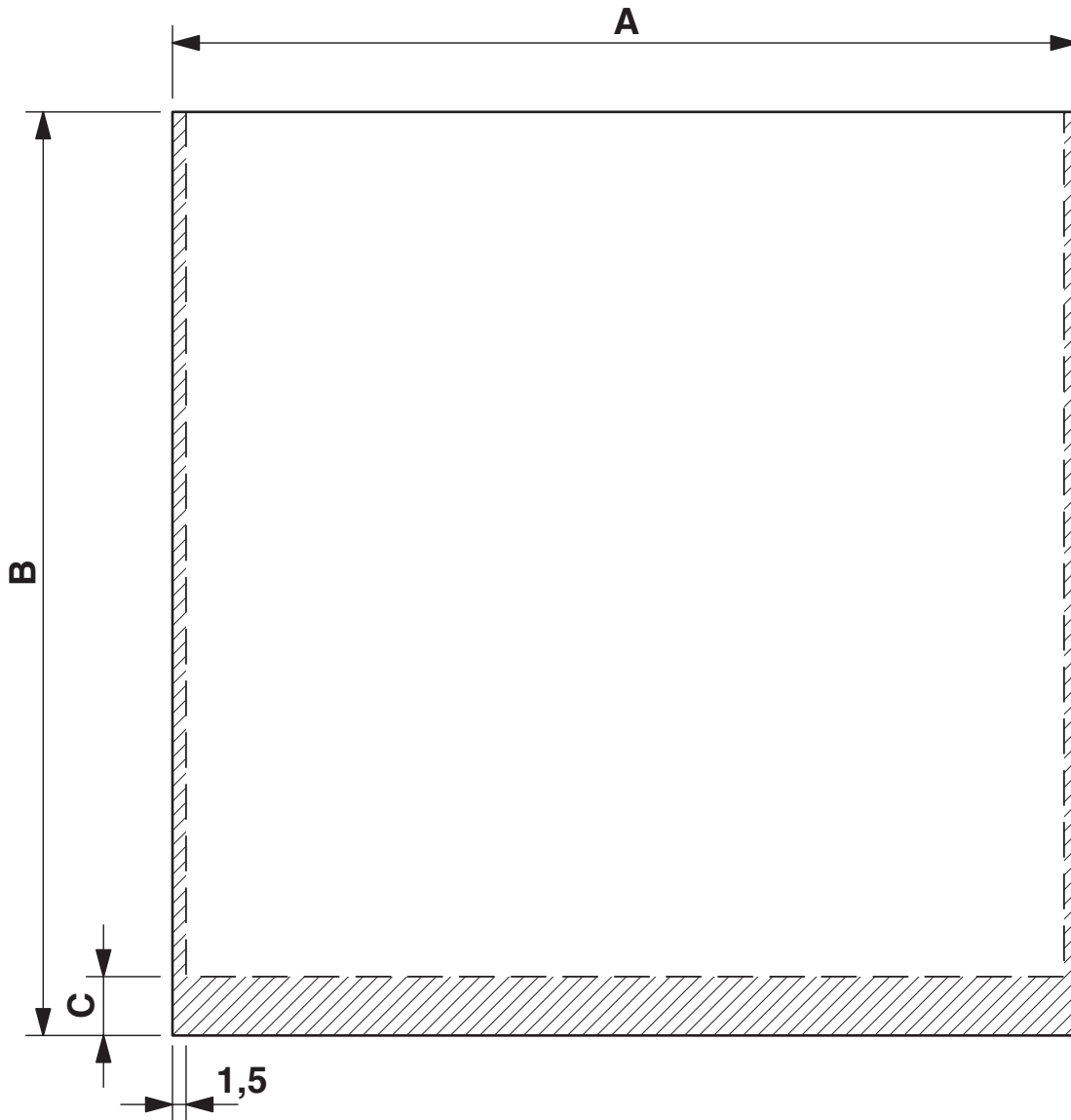
Dimensional drawing





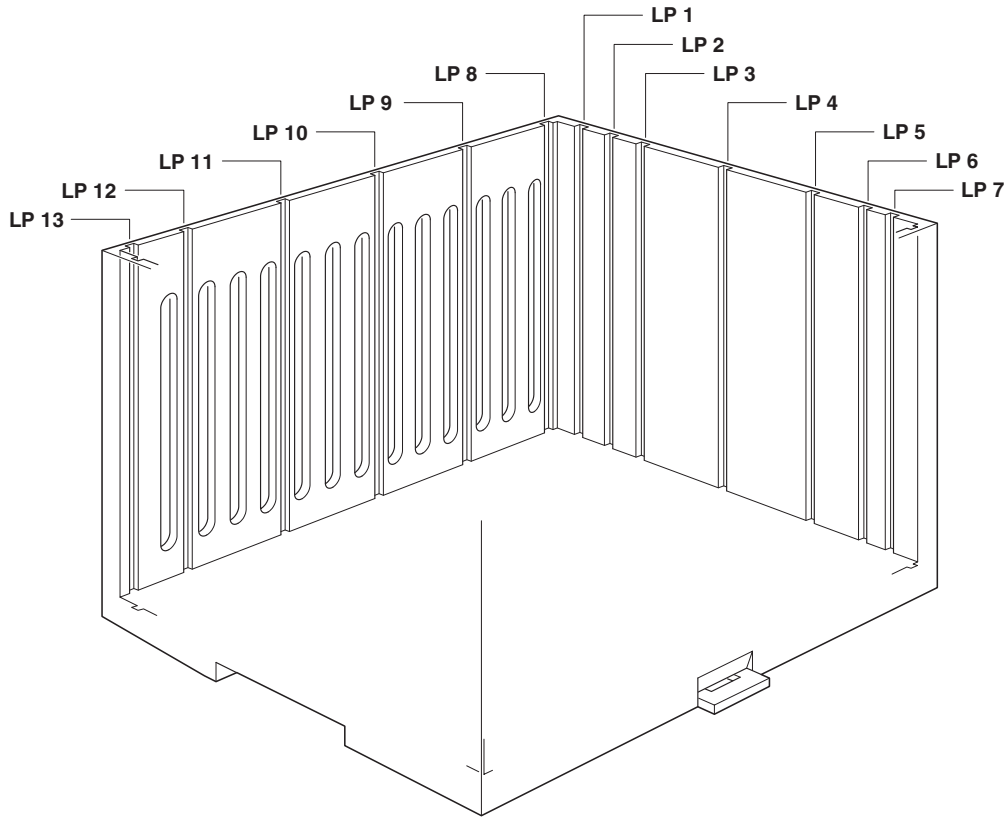
Dimension D: 100.0 mm; E: 100.0 mm; F: 50.0; G: 190.0 mm; H: 138.0 mm  
Spacer pins 1 - 6: Height 20 mm;  $\varnothing$  4 mm

Dimensional drawing



PCB 8, 13: Dimension A: 141.0 mm; B: 140.5 mm; C: 0 mm

Schematic diagram



# CM200-LG/H 55/BO/DB/GH BK - Electronics housing



2941853

<https://www.phoenixcontact.com/us/products/2941853>

## Classifications

### UNSPSC

UNSPSC 21.0	31261500
-------------	----------

2941853

<https://www.phoenixcontact.com/us/products/2941853>

## Environmental product compliance

### China RoHS

Environment friendly use period (EFUP)	EFUP-E
	No hazardous substances above the limits

### EU REACH SVHC

REACH candidate substance (CAS No.)	No substance above 0.1 wt%
-------------------------------------	----------------------------

Phoenix Contact 2026 © - all rights reserved  
<https://www.phoenixcontact.com>

Phoenix Contact USA  
586 Fulling Mill Road  
Middletown, PA 17057, United States  
(+717) 944-1300  
[info@phoenixcon.com](mailto:info@phoenixcon.com)