

# CM125-LG/H 35/BO/DB/GH BK - Electronics housing



2941840

<https://www.phoenixcontact.com/us/products/2941840>

Please be informed that the data shown in this PDF document is generated from our online catalog. Please find the complete data in the user documentation. Our general terms of use for downloads are valid.



Complete housing, Complete housing, with vents, width: 125 mm, depth: 102 mm, color: black (similar RAL 9005), cross connection: without bus connector, number of positions cross connector: not relevant

The figure shows versions CM 125-LG/H 35/BO/DB/GH

## Your advantages

- Robust housing technology
- Easy snap-on mounting on symmetrical DIN rails in accordance with EN 60715
- Touch-proof and contamination-proof accommodation of the electronics
- Flexible accommodation of different connection elements (from high-position connectors to electronic PCB terminal blocks)

## Commercial data

Item number	2941840
Packing unit	5 pc
Minimum order quantity	1 pc
Note	Made to order (non-returnable)
Sales key	AC11
Product key	ACHCDA
GTIN	4017918126377
Weight per piece (including packing)	344.46 g
Weight per piece (excluding packing)	357.2 g
Customs tariff number	84879090
Country of origin	DE

2941840

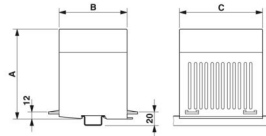
<https://www.phoenixcontact.com/us/products/2941840>

## Technical data

### Product properties

Product type	Complete housing
Housing type	Complete housing
Housing series	CM
Product family	CM LG
Type	Housing closed, ventilation slots
Ventilation openings present	yes

### Dimensions

Dimensional drawing	
Width	125 mm
Depth	102 mm

### Material specifications

Color (Housing)	black (RAL 9005)
Material Housing	PC (glass-fiber reinforced)
Flammability rating according to UL 94	V0

### Environmental and real-life conditions

#### Ambient conditions

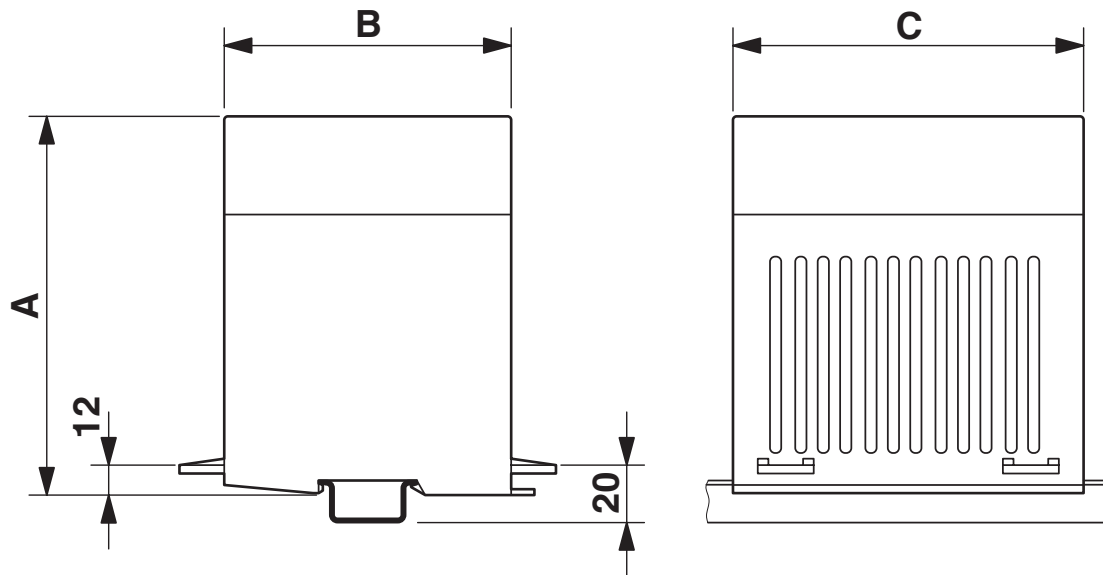
Ambient temperature (operation)	-40 °C ... 105 °C (depending on power dissipation)
---------------------------------	----------------------------------------------------

### Mounting

Mounting type	DIN rail mounting
---------------	-------------------

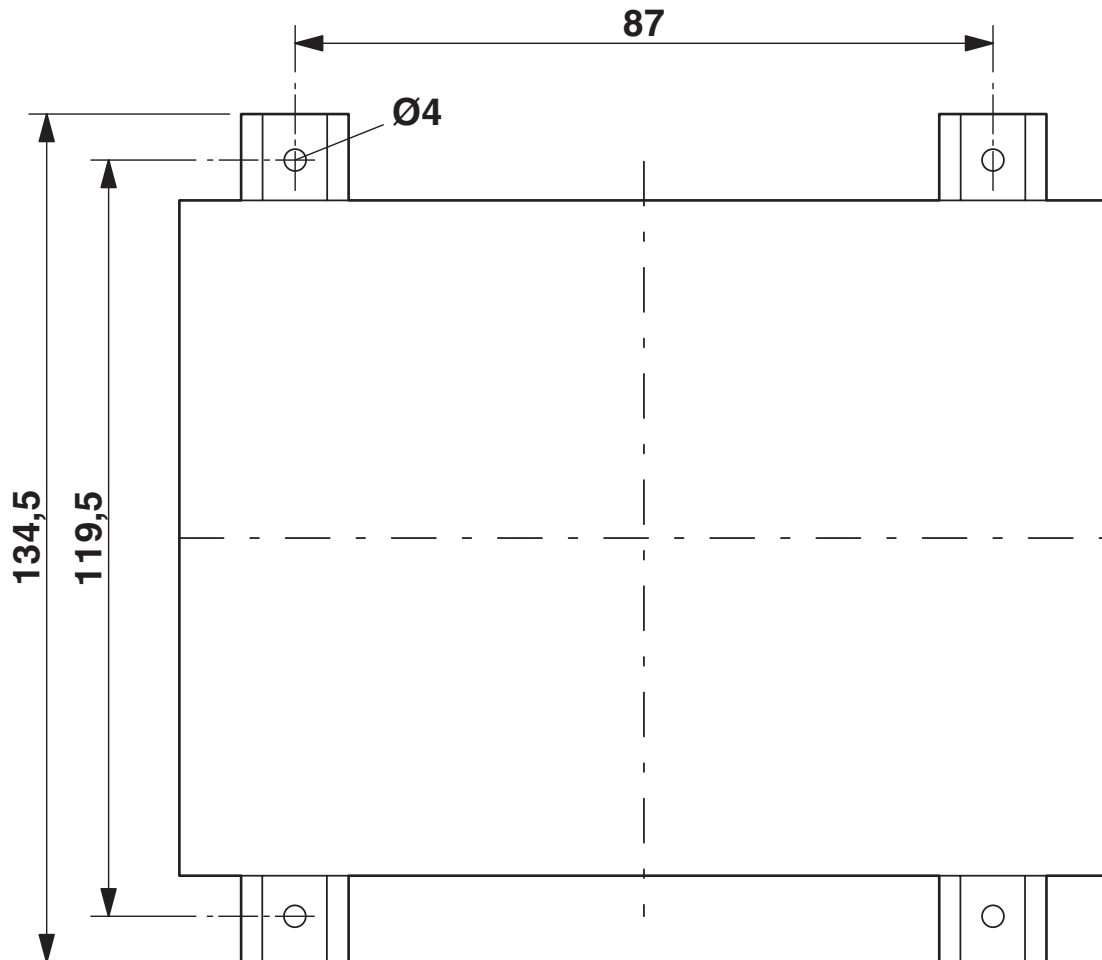
Drawings

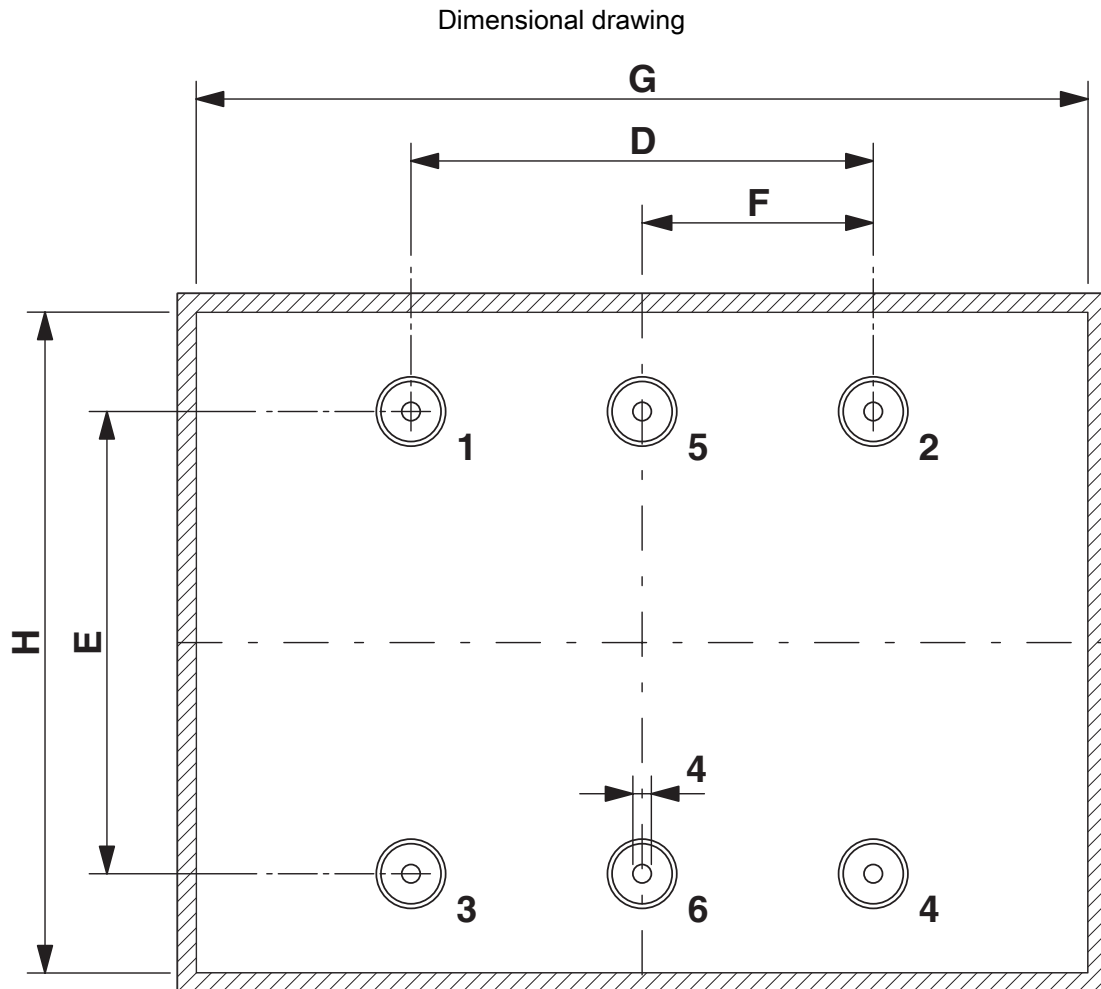
Dimensional drawing



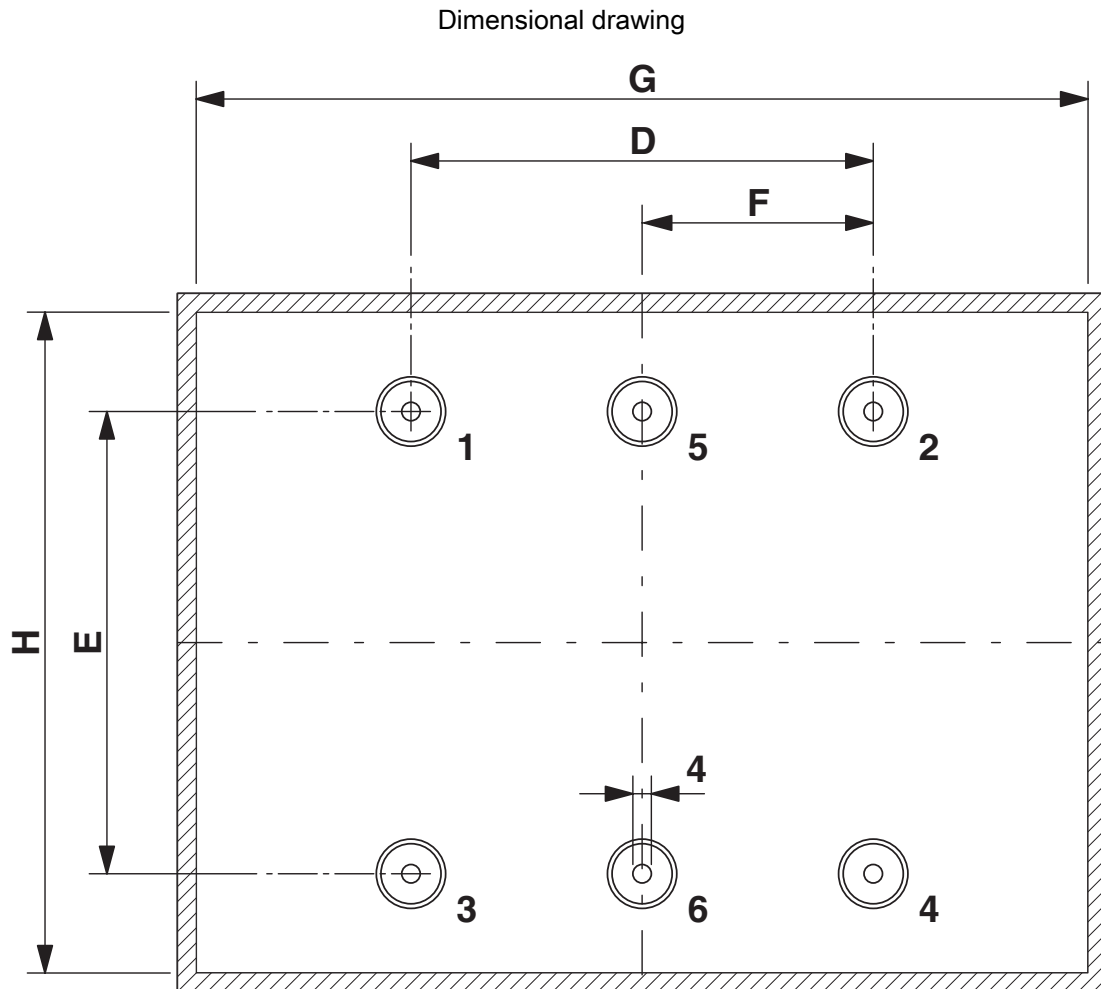
Dimension A: 138 mm; dimension B: 102 mm; dimension C: 125 mm

Dimensional drawing



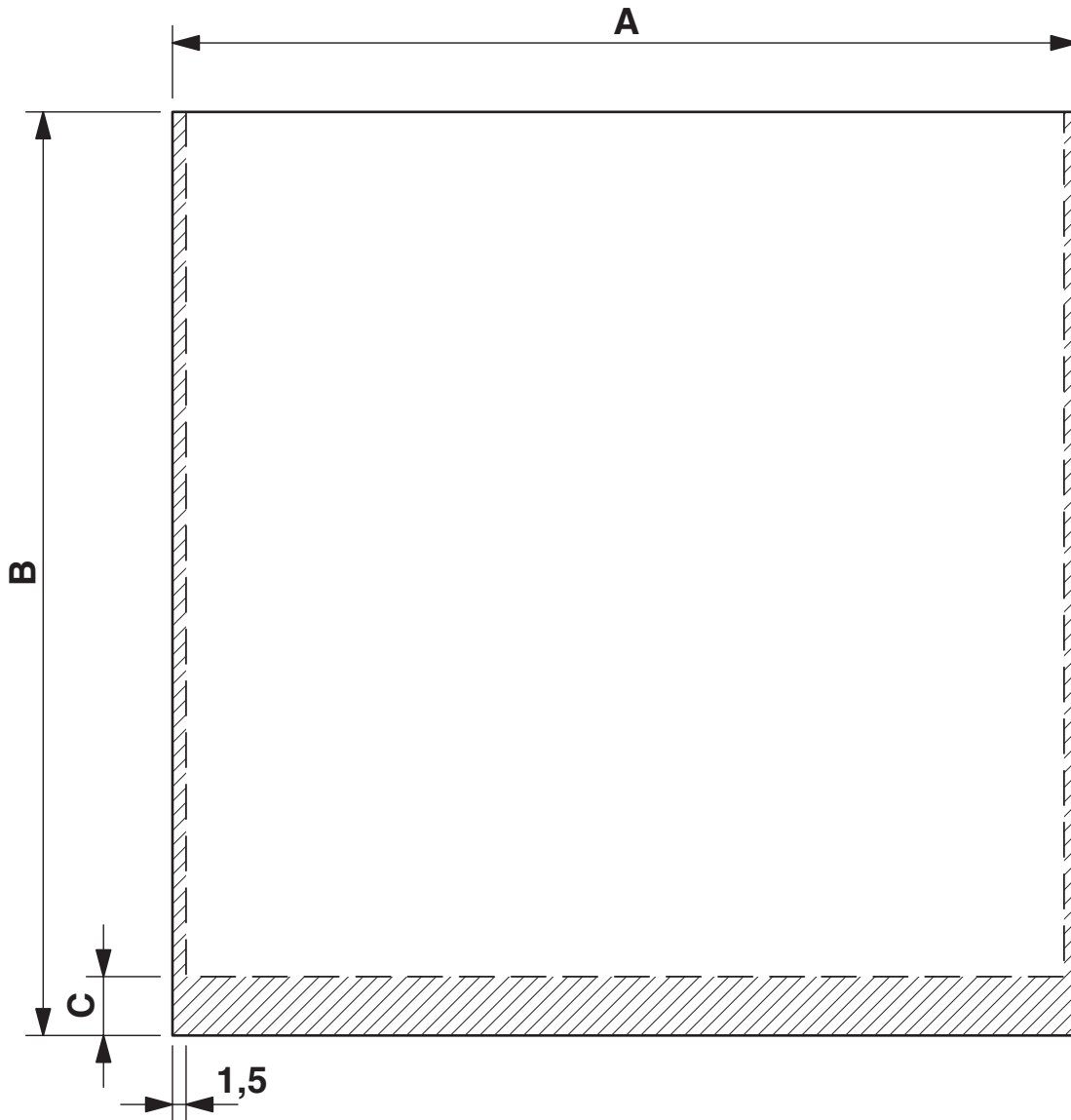


Dimension D: 87.5 mm; E: 70.0 mm; G: 119.0 mm; H: 96.0 mm  
Spacer pins 1 - 4: Height 23 mm;  $\varnothing$  4 mm



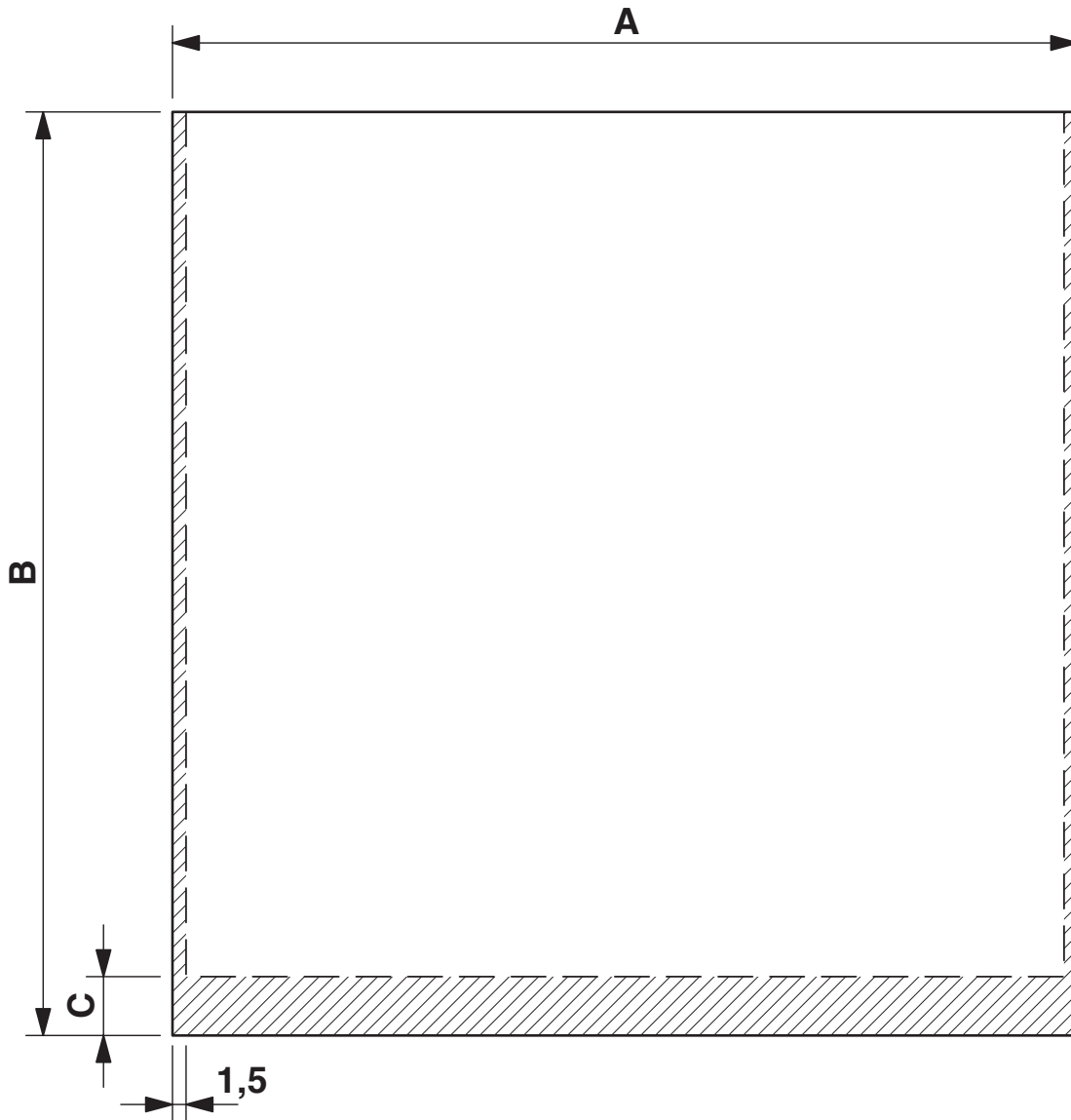
Dimension D: 87.5 mm; E: 70.0 mm; G: 119.0 mm; H: 96.0 mm  
Spacer pins 1 - 4: Height 23 mm;  $\varnothing$  4 mm

Dimensional drawing



- PCB 1, 7: Dimension A: 122.5 mm; B: 124.8 mm; C: 0 mm
- PCB 8, 13: Dimension A: 100.0 mm; B: 124.8 mm; C: 6.5 mm
- PCB 9-12: Dimension A: 100.0 mm; B: 124.8 mm; C: 0 mm

Dimensional drawing



PCB 1, 7: Dimension A: 122.5 mm; B: 124.8 mm; C: 0 mm

PCB 8, 13: Dimension A: 100.0 mm; B: 124.8 mm; C: 6.5 mm

PCB 9-12: Dimension A: 100.0 mm; B: 124.8 mm; C: 0 mm

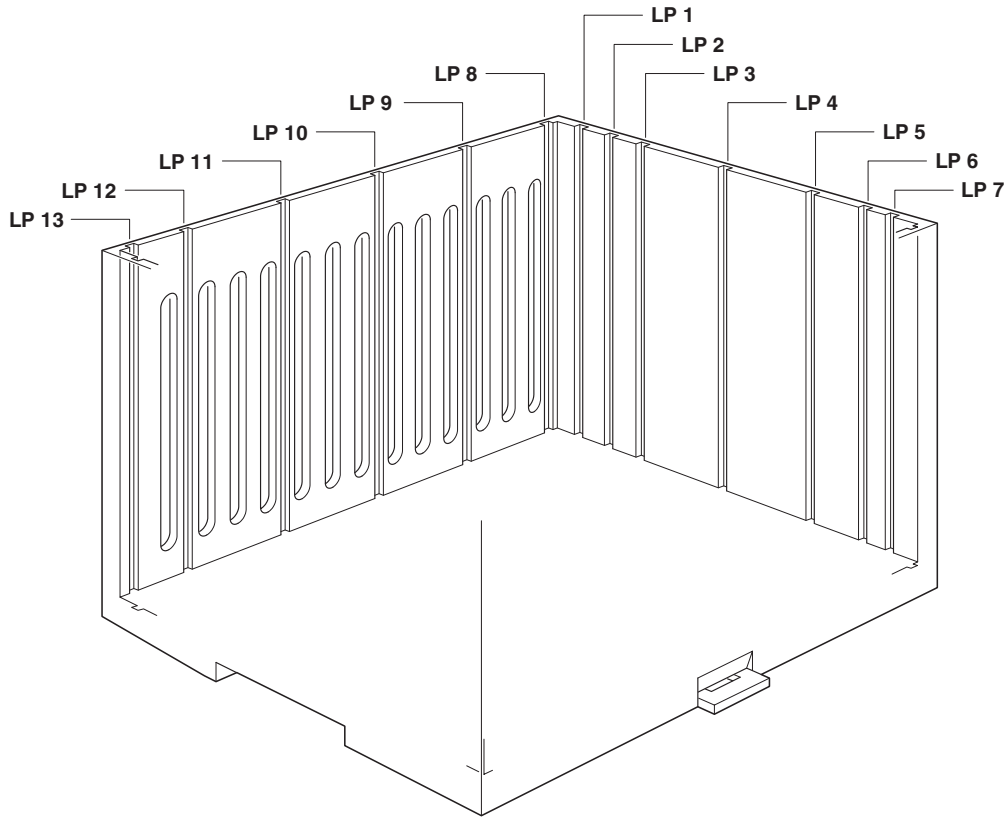
# CM125-LG/H 35/BO/DB/GH BK - Electronics housing



2941840

<https://www.phoenixcontact.com/us/products/2941840>

Schematic diagram



2941840

<https://www.phoenixcontact.com/us/products/2941840>

## Classifications

### ECLASS

ECLASS-13.0	27190101
ECLASS-15.0	27190101

### ETIM

ETIM 10.0	EC001031
-----------	----------

### UNSPSC

UNSPSC 21.0	31261500
-------------	----------

2941840

<https://www.phoenixcontact.com/us/products/2941840>

## Environmental product compliance

### EU RoHS

Fulfills EU RoHS substance requirements	Yes, No exemptions
-----------------------------------------	--------------------

### China RoHS

Environment friendly use period (EFUP)	EFUP-E
	No hazardous substances above the limits

### EU REACH SVHC

REACH candidate substance (CAS No.)	No substance above 0.1 wt%
-------------------------------------	----------------------------

Phoenix Contact 2026 © - all rights reserved  
<https://www.phoenixcontact.com>

Phoenix Contact USA  
586 Fulling Mill Road  
Middletown, PA 17057, United States  
(+717) 944-1300  
[info@phoenixcon.com](mailto:info@phoenixcon.com)