

ELR 3/ 9-400 - Load relay

2941701

<https://www.phoenixcontact.com/us/products/2941701>

Please be informed that the data shown in this PDF document is generated from our online catalog. Please find the complete data in the user documentation. Our general terms of use for downloads are valid.



Electronic load relay, for direct driving of equipment in the 3-phase network, with light indicator and protection circuit, output: 110-440 V AC/3 x 9 A

Your advantages

- High switching frequency
- Noise and wear-free switching up to 500 V AC/9 A
- Protective circuit in input and output
- Status display

Commercial data

Item number	2941701
Packing unit	1 pc
Note	Made to order (non-returnable)
Sales key	C472
Product key	DK7212
GTIN	4017918101046
Weight per piece (including packing)	745.4 g
Weight per piece (excluding packing)	745.4 g
Customs tariff number	85364900
Country of origin	DE

ELR 3/ 9-400 - Load relay



2941701

<https://www.phoenixcontact.com/us/products/2941701>

Technical data

Product properties

Product type	Solid-state contactor
Operating mode	100% operating factor

Insulation characteristics: Air clearances and creepage distances between the power circuits

Insulation	Basic insulation
------------	------------------

Electrical properties

Number of phases	3
Switching frequency	max. 10 Hz (at $\cos \varphi = 0.5$)
Mains type	3-phase
Test voltage (Input/output)	2.5 kV (50 Hz, 60 s)
Switching frequency	max. 10 Hz (at $\cos \varphi = 0.5$)

Input data

Control

Input name	Control input right/left
Rated actuating voltage U_C	24 V DC
Triggering voltage range	19.2 V DC ... 28.8 V DC
Voltage range with reference to U_C	0.8 ... 1.2 0.8 ... 1.2
Rated actuating current I_C	16 mA
Reaction time in normal load operation	20 ms 20 ms
Protective circuit	Reverse polarity protection; Polarity protection diode Surge protection
Status display	LED (yellow)
Transmission frequency	1 Hz (at $\cos \varphi = 0.5$)

Output data

AC output

Rated operating voltage U_e	400 V AC
Operating voltage range	110 V AC ... 440 V AC
Peak offstate voltage	800 V
Mains frequency	50 Hz 60 Hz
Load current range	150 mA ... 9 A (see to derating)
Leakage current	typ. 7 mA
Residual voltage	typ. 1.5 V
Surge current	230 A (tp = 10 ms, at 25 °C)
Protective circuit	RC element; RC element

ELR 3/ 9-400 - Load relay



2941701

<https://www.phoenixcontact.com/us/products/2941701>

	Surge protection
Surge voltage protection	> 750 V

Connection data

Control circuits

Connection method	Screw connection
Stripping length	8 mm
Screw thread	M3
Conductor cross-section rigid	0.2 mm ² ... 6 mm ²
Conductor cross-section flexible	0.2 mm ² ... 4 mm ²
Conductor cross-section AWG	24 ... 10

Load circuit

Connection method	Screw connection
Stripping length	8 mm
Screw thread	M3
Conductor cross-section rigid	0.2 mm ² ... 6 mm ²
Conductor cross-section flexible	0.2 mm ² ... 4 mm ²
Conductor cross-section AWG	24 ... 10

Dimensions

Width	62 mm
Height	84 mm
Depth	110 mm

Material specifications

Color	green (RAL 6021)
-------	------------------

Environmental and real-life conditions

Ambient conditions

Degree of protection	IP20
Ambient temperature (operation)	-20 °C ... 60 °C
Ambient temperature (storage/transport)	-20 °C ... 70 °C

Standards and regulations

Air clearances and creepage distances between the power circuits

Standards/regulations	EN 50178
-----------------------	----------

EMC regulations

Standards/regulations	EN 61000-6-2
	EN 61000-6-4

Mounting

Mounting type	DIN rail mounting
---------------	-------------------

ELR 3/ 9-400 - Load relay



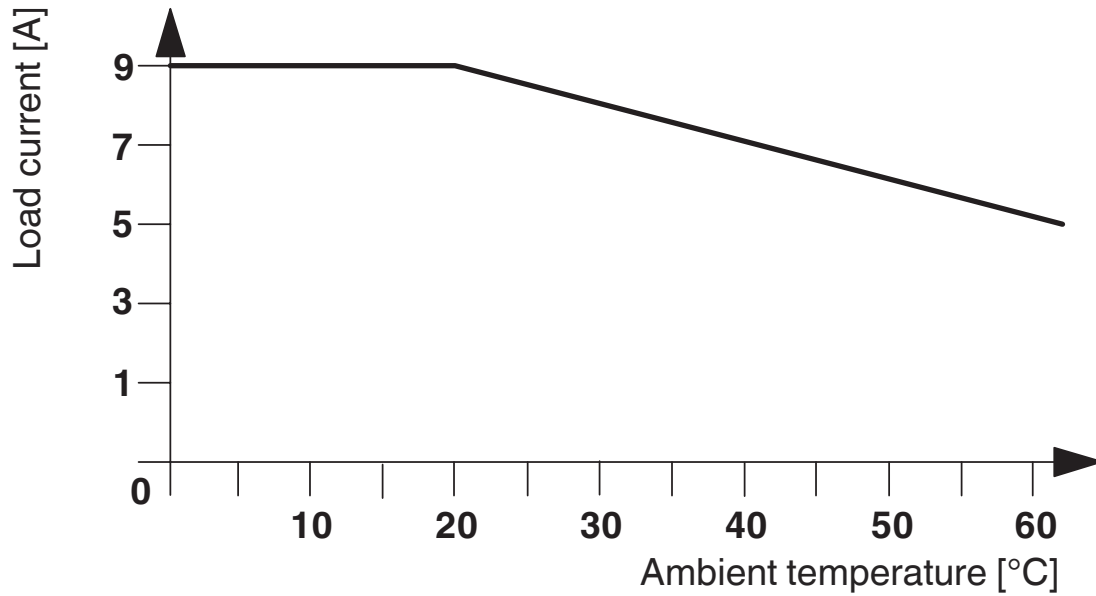
2941701

<https://www.phoenixcontact.com/us/products/2941701>

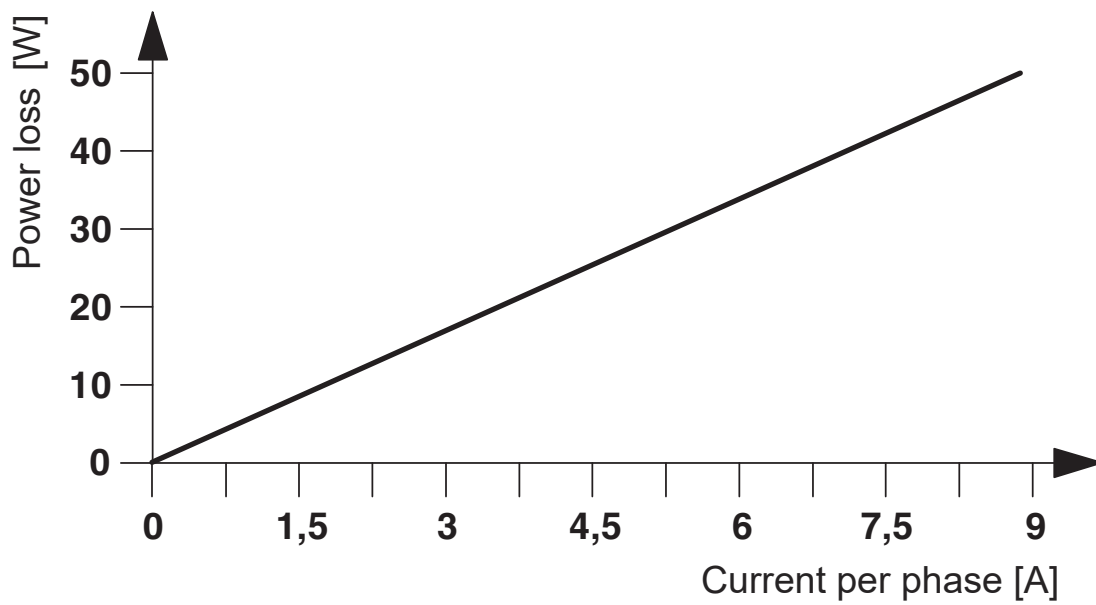
Assembly note	can be aligned with spacing > 20 mm
Mounting position	Vertical (horizontal DIN rail)

Drawings

Diagram



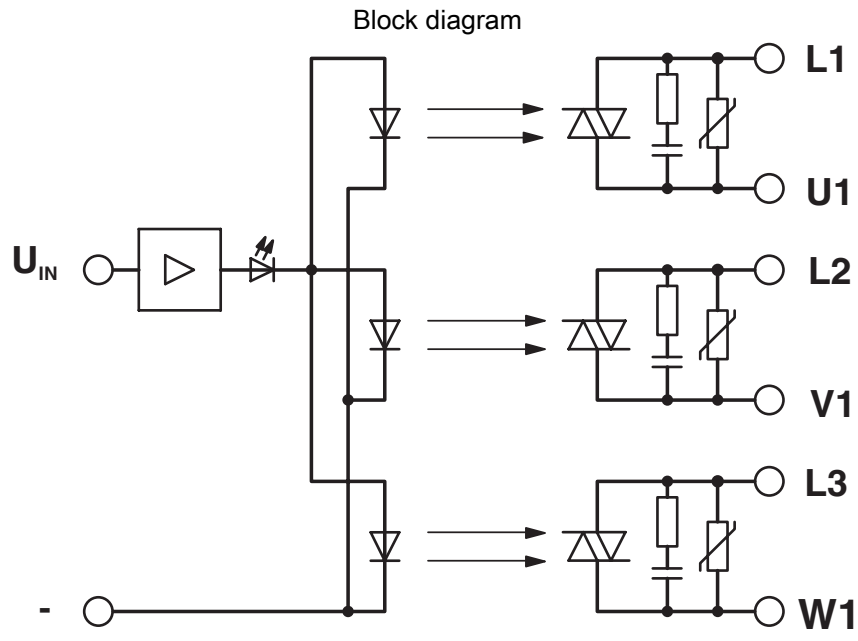
Diagram



ELR 3/ 9-400 - Load relay

2941701

<https://www.phoenixcontact.com/us/products/2941701>



ELR 3/ 9-400 - Load relay



2941701

<https://www.phoenixcontact.com/us/products/2941701>

Classifications

ECLASS

ECLASS-15.0

27371003

ETIM

ETIM 9.0

EC002055

UNSPSC

UNSPSC 21.0

39122333

ELR 3/ 9-400 - Load relay



2941701

<https://www.phoenixcontact.com/us/products/2941701>

Environmental product compliance

EU RoHS

Fulfills EU RoHS substance requirements	Yes
Exemption	7(a), 7(c)-I

China RoHS

Environment friendly use period (EFUP)	EFUP-50
	An article-related China RoHS declaration table can be found in the download area for the respective article under "Manufacturer declaration". For all articles with EFUP-E, no China RoHS declaration table issued and required.

EU REACH SVHC

REACH candidate substance (CAS No.)	Hexahydromethylphthalic anhydride(CAS: n/a)
	Lead(CAS: 7439-92-1)
SCIP	f8f3fb46-97cd-45d2-b029-25474a8df6bc

Phoenix Contact 2026 © - all rights reserved
<https://www.phoenixcontact.com>

Phoenix Contact USA
586 Fulling Mill Road
Middletown, PA 17057, United States
(+717) 944-1300
info@phoenixcon.com