

EMG 90-2SD-D/LA - Socket



2941523

<https://www.phoenixcontact.com/us/products/2941523>

Please be informed that the data shown in this PDF document is generated from our online catalog. Please find the complete data in the user documentation. Our general terms of use for downloads are valid.



Socket, color: green, standards/specifications: IEC 83, DIN 49440-1

The illustration shows the German double socket EMG90-2SD-D/LA

Commercial data

Item number	2941523
Packing unit	1 pc
Note	Made to order (non-returnable)
Sales key	BE76
Product key	BE7611
GTIN	4017918080495
Weight per piece (including packing)	198.1 g
Weight per piece (excluding packing)	198.1 g
Customs tariff number	85366990
Country of origin	DE

Technical data

Product properties

Product type	Socket
For country-specific use in	D

Signaling

Status display	Glow lamp or LED with preresistor
----------------	-----------------------------------

Dimensions

Width	90 mm
Height	75 mm
Depth	70.5 mm

Material specifications

Color	green
Insulating material	PC-F
Contact material	CuZn38

Environmental and real-life conditions

Ambient conditions

Degree of protection	IP20
Ambient temperature (operation)	-20 °C ... 60 °C
Ambient temperature (storage/transport)	-20 °C ... 60 °C

Standards and regulations

Standards

Standards/regulations	IEC 83
	DIN 49440-1

EMG 90-2SD-D/LA - Socket

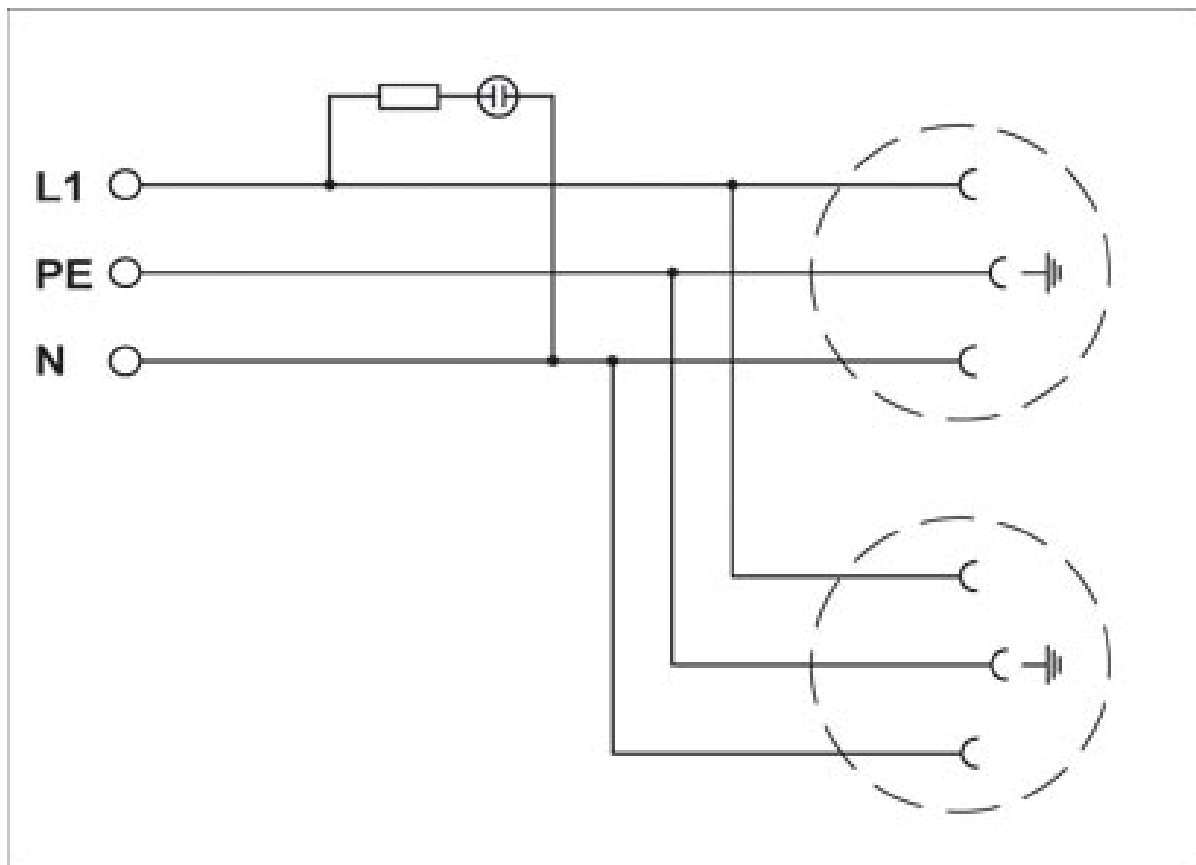
2941523

<https://www.phoenixcontact.com/us/products/2941523>



Drawings

Circuit diagram



EMG 90-2SD-D/LA - Socket

2941523

<https://www.phoenixcontact.com/us/products/2941523>



Environmental product compliance

EU RoHS

Fulfills EU RoHS substance requirements	Yes, No exemptions
---	--------------------

China RoHS

Environment friendly use period (EFUP)	EFUP-E
	No hazardous substances above the limits

EU REACH SVHC

REACH candidate substance (CAS No.)	No substance above 0.1 wt%
-------------------------------------	----------------------------

Phoenix Contact 2026 © - all rights reserved
<https://www.phoenixcontact.com>

Phoenix Contact USA
586 Fulling Mill Road
Middletown, PA 17057, United States
(+717) 944-1300
info@phoenixcon.com