

# DEK-OE-125DC/ 48DC/100/T - Solid-state relay terminal block



2940294

<https://www.phoenixcontact.com/us/products/2940294>

Please be informed that the data shown in this PDF document is generated from our online catalog. Please find the complete data in the user documentation. Our general terms of use for downloads are valid.



Input solid-state relay terminal block, input: 125 V DC, output: 3 - 48 V DC/100 mA, with isolating plug in output, terminal block width: 6.2 mm

## Commercial data

Item number	2940294
Packing unit	1 pc
Sales key	C460
Product key	DK61A1
GTIN	4017918079994
Weight per piece (including packing)	21.5 g
Weight per piece (excluding packing)	21.5 g
Customs tariff number	85364900
Country of origin	CN

# DEK-OE-125DC/ 48DC/100/T - Solid-state relay terminal block



2940294

<https://www.phoenixcontact.com/us/products/2940294>

## Technical data

### Notes

Order information:	The housing is open on one side. The appropriate cover is D-DEK 1,5 GN (2716949).
Note on application	Use of EB 80-DIK... bridges in the DEK terminal blocks: Absorption of humidity from the ambient air as well as an unfavorable tolerance between a larger number of DEK terminal blocks and the EB 80-DIK... bridge may cause (minor) expansion of the DEK housing. When the EB 80-DIK... bridges are used, therefore, it is recommended that these be disconnected after about 10 to 12 DEK terminal blocks and a wire bridge to the next DEK terminal block be inserted in their place.

### Product properties

Product type	Solid-state relay module
Product family	DEK
Application	Input function
Operating mode	100% operating factor

### Insulation characteristics

Overvoltage category	III
Pollution degree	2

### Data management status

Date of last data management	01.04.2026
------------------------------	------------

### Electrical properties

Test voltage (Input/output)	2.5 kV AC (Input/output)
-----------------------------	--------------------------

### Input data

Nominal input voltage $U_N$	125 V DC
Input voltage range in reference to $U_N$	0.9 ... 1.1
Input voltage range	112.5 V DC ... 137.5 V DC
Switching threshold "0" signal, voltage	$\leq 50$ V
Switching threshold "1" signal voltage	$\geq 100$ V
Typical input current at $U_N$	3 mA
Typical response time	40 $\mu$ s (delay)
Typical turn-off time	40 $\mu$ s (delay)
Status display	LED (yellow)
Protective circuit	Reverse polarity protection; Bridge rectifier
Transmission frequency	30 Hz

### Output data

Contact switching type	1 N/O contact
Design of digital output	electronic
Output voltage range	3 V DC ... 48 V DC

# DEK-OE-125DC/ 48DC/100/T - Solid-state relay terminal block



2940294

<https://www.phoenixcontact.com/us/products/2940294>

Limiting continuous current	100 mA
Voltage drop at max. limiting continuous current	≤ 0.9 V
Output circuit	2-conductor, floating
Protective circuit	Reverse polarity protection; Polarity protection diode Surge protection

## Connection data

Connection method	Screw connection
Stripping length	8 mm
Screw thread	M3
Conductor cross-section rigid	0.2 mm <sup>2</sup> ... 2.5 mm <sup>2</sup>
Conductor cross-section flexible	0.2 mm <sup>2</sup> ... 2.5 mm <sup>2</sup>
Conductor cross-section AWG	24 ... 14
Tightening torque	0.5 Nm

## Dimensions

Width	6.2 mm
Height	80 mm
Depth	56 mm

## Material specifications

Color	green (RAL 6021)
-------	------------------

## Environmental and real-life conditions

### Ambient conditions

Ambient temperature (operation)	-20 °C ... 60 °C
Ambient temperature (storage/transport)	-20 °C ... 70 °C

## Standards and regulations

Standards/regulations	IEC 60664
	IEC 60664A
	DIN VDE 0110

## Mounting

Mounting type	DIN rail mounting
Assembly note	in rows with zero spacing
Mounting position	any

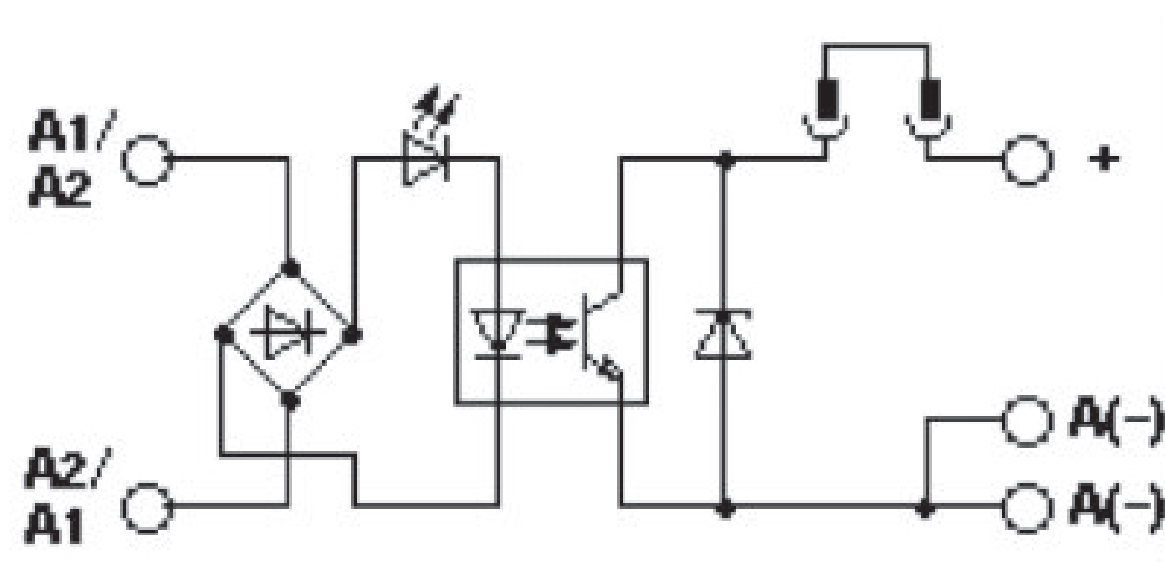
# DEK-OE-125DC/ 48DC/100/T - Solid-state relay terminal block

2940294

<https://www.phoenixcontact.com/us/products/2940294>

## Drawings

Circuit diagram



# DEK-OE-125DC/ 48DC/100/T - Solid-state relay terminal block



2940294

<https://www.phoenixcontact.com/us/products/2940294>

## Classifications

### ECLASS

ECLASS-13.0

27371604

### ETIM

ETIM 9.0

EC001504

### UNSPSC

UNSPSC 21.0

39122300

# DEK-OE-125DC/ 48DC/100/T - Solid-state relay terminal block



2940294

<https://www.phoenixcontact.com/us/products/2940294>

## Environmental product compliance

### EU RoHS

Fulfills EU RoHS substance requirements	Yes
Exemption	7(a), 7(c)-I

### China RoHS

Environment friendly use period (EFUP)	EFUP-50
	An article-related China RoHS declaration table can be found in the download area for the respective article under "Manufacturer declaration". For all articles with EFUP-E, no China RoHS declaration table issued and required.

### EU REACH SVHC

REACH candidate substance (CAS No.)	Hexahydromethylphthalic anhydride(CAS: n/a)
	Lead(CAS: 7439-92-1)
SCIP	1f3ff541-6629-4e61-a77e-10f0bb5996bc

Phoenix Contact 2026 © - all rights reserved  
<https://www.phoenixcontact.com>

Phoenix Contact USA  
586 Fulling Mill Road  
Middletown, PA 17057, United States  
(+717) 944-1300  
[info@phoenixcon.com](mailto:info@phoenixcon.com)