

EMG 30-SP- 4K7LIN - Setpoint adjuster

2940252

<https://www.phoenixcontact.com/us/products/2940252>

Please be informed that the data shown in this PDF document is generated from our online catalog. Please find the complete data in the user documentation. Our general terms of use for downloads are valid.

Setpoint value potentiometer, to set setpoints individually, resistance value 4,7 k Ω



Your advantages

- For direct setpoint definition in combination with a constant voltage source

Commercial data

Item number	2940252
Packing unit	10 pc
Minimum order quantity	1 pc
Sales key	C404
Product key	DK1129
GTIN	4017918079956
Weight per piece (including packing)	55.19 g
Weight per piece (excluding packing)	55.19 g
Customs tariff number	85334010
Country of origin	DE

EMG 30-SP- 4K7LIN - Setpoint adjuster

2940252

<https://www.phoenixcontact.com/us/products/2940252>

Technical data

Product properties

Product type	Setpoint potentiometer
--------------	------------------------

Input data

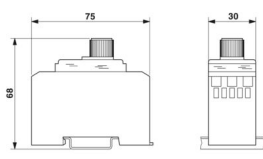
Potentiometer

Potentiometer, resistance value	4.7 k Ω \pm 20 %
Linearity	5 % (of final value)
Potentiometer, current-carrying capacity	0.5 W

Connection data

Connection method	Screw connection
Stripping length	8 mm
Screw thread	M3
Conductor cross-section rigid	0.2 mm ² ... 4 mm ²
Conductor cross-section flexible	0.2 mm ² ... 2.5 mm ²
Conductor cross-section AWG	24 ... 12

Dimensions

Dimensional drawing	
Width	30 mm
Height	75 mm
Depth	68 mm

Material specifications

Color	green (RAL 6021)
Housing material	Polycarbonate fiber reinforced PC-F

Environmental and real-life conditions

Ambient conditions

Ambient temperature (operation)	0 °C ... 40 °C
---------------------------------	----------------

Mounting

Mounting type	DIN rail mounting
Mounting position	any

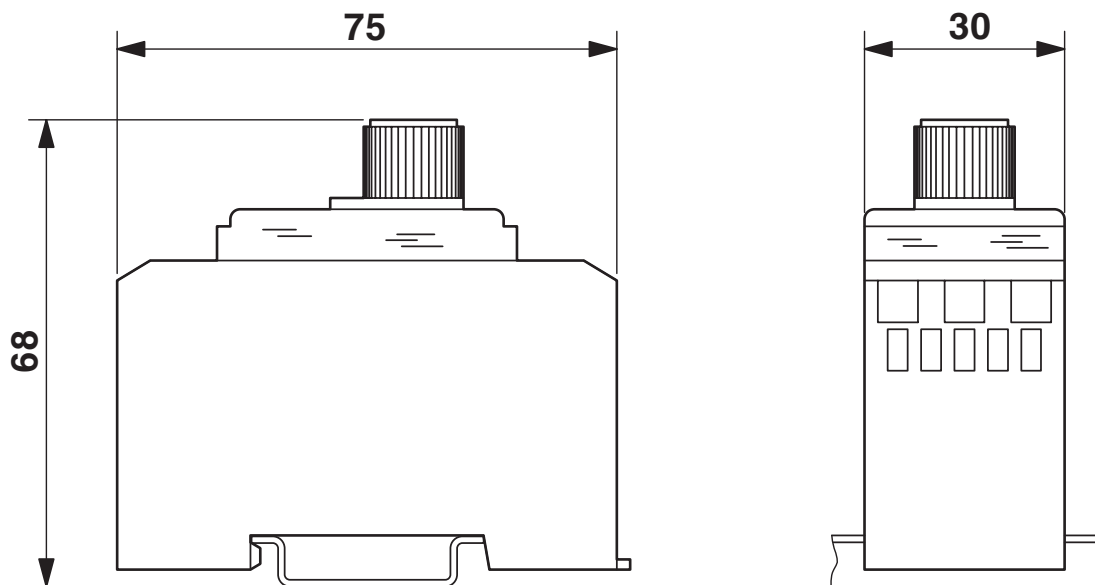
EMG 30-SP- 4K7LIN - Setpoint adjuster

2940252

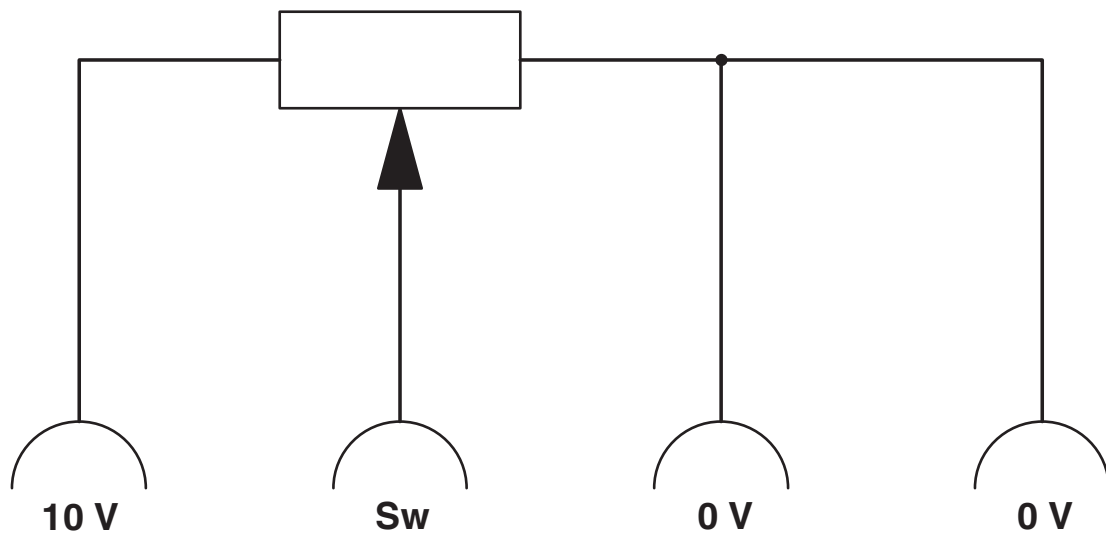
<https://www.phoenixcontact.com/us/products/2940252>

Drawings

Dimensional drawing



Circuit diagram



EMG 30-SP- 4K7LIN - Setpoint adjuster



2940252

<https://www.phoenixcontact.com/us/products/2940252>

Approvals

To download certificates, visit the product detail page: <https://www.phoenixcontact.com/us/products/2940252>



EAC

Approval ID: RU C-DE.A*30.B.01082

EMG 30-SP- 4K7LIN - Setpoint adjuster



2940252

<https://www.phoenixcontact.com/us/products/2940252>

Classifications

ECLASS

ECLASS-13.0	27371227
ECLASS-15.0	27371227

ETIM

ETIM 10.0	EC001027
-----------	----------

UNSPSC

UNSPSC 21.0	41113600
-------------	----------

EMG 30-SP- 4K7LIN - Setpoint adjuster



2940252

<https://www.phoenixcontact.com/us/products/2940252>

Environmental product compliance

EU RoHS

Fulfills EU RoHS substance requirements	Yes
Exemption	34, 6(c), 7(c)-I

China RoHS

Environment friendly use period (EFUP)	EFUP-50
	An article-related China RoHS declaration table can be found in the download area for the respective article under "Manufacturer declaration". For all articles with EFUP-E, no China RoHS declaration table issued and required.

EU REACH SVHC

REACH candidate substance (CAS No.)	Lead(CAS: 7439-92-1)
SCIP	ae9cf7c1-53fb-4ce9-968b-6069cfa807fc

EF3.1 Climate Change

CO2e kg	1.263 kg CO2e
---------	---------------

Phoenix Contact 2026 © - all rights reserved
<https://www.phoenixcontact.com>

Phoenix Contact USA
586 Fulling Mill Road
Middletown, PA 17057, United States
(+717) 944-1300
info@phoenixcon.com