

EMG 10-REL/KSR-G 24/ 2-LC AU - Relay module



2940126

<https://www.phoenixcontact.com/us/products/2940126>

Please be informed that the data shown in this PDF document is generated from our online catalog. Please find the complete data in the user documentation. Our general terms of use for downloads are valid.



Relay module, with soldered-in miniature switching relay, gold contact for small loads, 1 N/C contact, input voltage 24 V DC

Your advantages

- Integrated input circuit and interference suppression circuit

Commercial data

Item number	2940126
Packing unit	1 pc
Note	Made to order (non-returnable)
Sales key	C460
Product key	DK6141
GTIN	4017918079888
Weight per piece (including packing)	36.58 g
Weight per piece (excluding packing)	36.58 g
Customs tariff number	85364190
Country of origin	DE

Technical data

Product properties

Product type	Relay Module
Application	Universal
Operating mode	100% operating factor
Mechanical service life	approx. 2×10^7 cycles

Insulation characteristics

Insulation	Basic insulation
Overvoltage category	III
Pollution degree	2

Data management status

Date of last data management	01.04.2026
------------------------------	------------

Electrical properties

Maximum power dissipation for nominal condition	0.5 W
Test voltage (Winding/contact)	4 kV AC (50 Hz, 1 min., winding/contact)

Input data

Coil side

Nominal input voltage U_N	24 V DC
Input voltage range	19.2 V DC ... 26.4 V DC
Input voltage range in reference to U_N	0.8 ... 1.1
Drive and function	monostable
Typical input current at U_N	21 mA
Typical response time	7 ms
Typical release time	11 ms
Protective circuit	Reverse polarity protection; Polarity protection diode Freewheeling diode; Freewheeling diode
Operating voltage display	Yellow LED

Output data

Switching

Contact switching type	Double contact, 1 N/C contact
Type of switch contact	Double contact
Contact material	AgPd60, hard gold-plated
Maximum switching voltage	30 V AC 36 V DC
Limiting continuous current	0.5 A
Maximum inrush current	0.2 A
Interrupting rating (ohmic load) max.	5 W (at 24 V DC)

EMG 10-REL/KSR-G 24/ 2-LC AU - Relay module



2940126

<https://www.phoenixcontact.com/us/products/2940126>

Switching: when the gold layer is destroyed

Note	the following values are applicable if a gold layer is destroyed
Maximum switching voltage	125 V AC 150 V DC
Limiting continuous current	2 A
Maximum inrush current	2 A
Interrupting rating (ohmic load) max.	29 W (at 24 V DC) 29 W (at 48 V DC) 29 W (at 60 V DC)

Connection data

Coil side

Connection method	Screw connection
Stripping length	8 mm
Screw thread	M3
Conductor cross-section rigid	0.2 mm ² ... 4 mm ²
Conductor cross-section flexible	0.2 mm ² ... 2.5 mm ²
Conductor cross-section AWG	24 ... 12

Contact side

Connection method	Screw connection
Stripping length	8 mm
Screw thread	M3
Conductor cross-section rigid	0.2 mm ² ... 4 mm ²
Conductor cross-section flexible	0.2 mm ² ... 2.5 mm ²
Conductor cross-section AWG	24 ... 12

Dimensions

Width	10.6 mm
Height	75 mm
Depth	53.5 mm

Material specifications

Color	green (RAL 6021)
-------	------------------

Environmental and real-life conditions

Ambient conditions

Ambient temperature (operation)	-20 °C ... 40 °C
Ambient temperature (storage/transport)	-20 °C ... 70 °C

Standards and regulations

Standards/regulations	IEC 60664
-----------------------	-----------

EMG 10-REL/KSR-G 24/ 2-LC AU - Relay module



2940126

<https://www.phoenixcontact.com/us/products/2940126>

	EN 50178
--	----------

Mounting

Mounting type	DIN rail mounting
Assembly note	in rows with zero spacing
Mounting position	any

EMG 10-REL/KSR-G 24/ 2-LC AU - Relay module

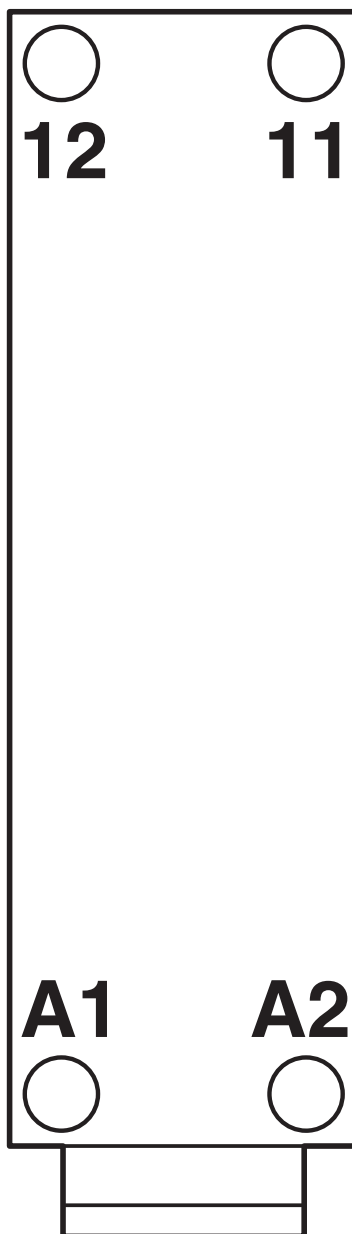
2940126

<https://www.phoenixcontact.com/us/products/2940126>



Drawings

Connection diagram



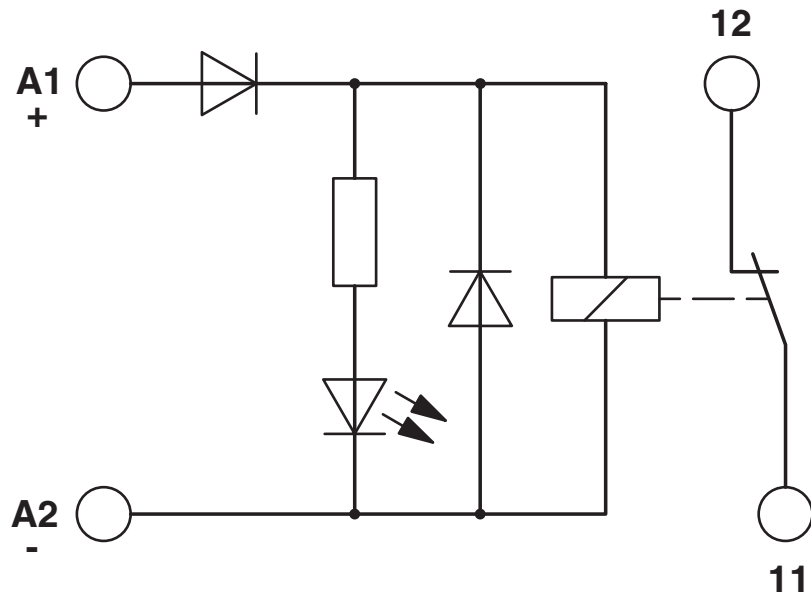
EMG 10-REL/KSR-G 24/ 2-LC AU - Relay module

2940126

<https://www.phoenixcontact.com/us/products/2940126>



Circuit diagram



EMG 10-REL/KSR-G 24/ 2-LC AU - Relay module

2940126

<https://www.phoenixcontact.com/us/products/2940126>



Circuit diagram



EMG 10-REL/KSR-G 24/ 2-LC AU - Relay module



2940126

<https://www.phoenixcontact.com/us/products/2940126>

Environmental product compliance

China RoHS

Environment friendly use period (EFUP)	EFUP-50 An article-related China RoHS declaration table can be found in the download area for the respective article under "Manufacturer declaration". For all articles with EFUP-E, no China RoHS declaration table issued and required.
--	--

EU REACH SVHC

REACH candidate substance (CAS No.)	No substance above 0.1 wt%
-------------------------------------	----------------------------

Phoenix Contact 2026 © - all rights reserved
<https://www.phoenixcontact.com>

Phoenix Contact USA
586 Fulling Mill Road
Middletown, PA 17057, United States
(+717) 944-1300
info@phoenixcon.com