

QUINT-PS-3X400-500AC/24DC/30 - Power supply



2938633

<https://www.phoenixcontact.com/us/products/2938633>

Please be informed that the data shown in this PDF document is generated from our online catalog. Please find the complete data in the user documentation. Our general terms of use for downloads are valid.

DIN rail power supply unit 24 V DC/30 A, primary switched-mode, 3-phase.



Commercial data

Item number	2938633
Packing unit	1 pc
Note	Made to order (non-returnable)
Sales key	CM11
Product key	CMPP33
GTIN	4017918910983
Weight per piece (including packing)	3,863 g
Weight per piece (excluding packing)	3,300 g
Customs tariff number	85044030
Country of origin	DE

Technical data

Input data

AC operation

Nominal input voltage range	3x 400 V AC ... 500 V AC
Input voltage range	3x 320 V AC ... 575 V AC (for all three phases) 450 V DC ... 800 V DC
Input voltage range AC	3x 320 V AC ... 575 V AC (for all three phases)
Input voltage range DC	450 V DC ... 800 V DC
Voltage type of supply voltage	AC/DC
Inrush current	< 15 A (typical)
AC frequency range	45 Hz ... 65 Hz
Frequency range DC	0 Hz
Mains buffering time	> 20 ms (at 3 x 400 V AC) > 20 ms (at 3 x 480 V AC)
Current consumption	approx. 3x 2.1 A (400 V AC) 3x 1.7 A (480 V AC)
Nominal power consumption	720 W
Typical response time	< 1 s
Input fuse	Externally via 3 circuit breakers 6 A, 10 A or 16 A, characteristic B

Output data

Efficiency	> 92 %
Nominal output voltage	24 V DC \pm 1 %
Setting range of the output voltage (U_{Set})	22.5 V ... 28.5 V
Nominal output current (I_N)	30 A (up to 60 °C)
POWER BOOST (I_{Boost})	35 A
Residual ripple	< 100 mV _{PP}
Output power	720 W
Peak switching voltages nominal load	< 100 mV _{PP} (20 MHz)
Maximum no-load power dissipation	< 14 W
Power loss nominal load max.	< 62 W
Connection in parallel	yes, for assembling redundant systems and increasing efficiency
Connection in series	yes

Signal: Active

Output description	$U_{OUT} > 0.9 \times U_N$: High signal
Output voltage	+ 24 V DC (Signal)
Continuous load current	max. 40 mA

Signal: floating

Output description	Relay contact, $U_{OUT} > 0.9 \times U_N$: Contact closed
Maximum switching voltage	\leq 30 V AC/DC

QUINT-PS-3X400-500AC/24DC/30 - Power supply



2938633

<https://www.phoenixcontact.com/us/products/2938633>

Maximum inrush current	≤ 1 A
Continuous load current	≤ 1 A

Connection data

Input

Connection method	Screw connection
Conductor cross-section, rigid min.	0.2 mm ²
Conductor cross-section, rigid max.	6 mm ²
Conductor cross-section flexible min.	0.2 mm ²
Conductor cross-section flexible max.	4 mm ²
Conductor cross-section AWG min.	24
Conductor cross-section AWG max.	10
Stripping length	8 mm
Screw thread	M3

Output

Connection method	Screw connection
Conductor cross-section, rigid min.	0.5 mm ²
Conductor cross-section, rigid max.	16 mm ²
Conductor cross-section flexible min.	0.5 mm ²
Conductor cross-section flexible max.	10 mm ²
Conductor cross-section AWG min.	20
Conductor cross-section AWG max.	6
Stripping length	10 mm

Signaling

Operating voltage display	Green LED
---------------------------	-----------

Signal output: Active

Status display	Green LED ($U_{out} < 0.9 \times U_N$: LED flashes)
----------------	---

Electrical properties

Number of phases	3
Insulation voltage input/output	2 kV (routine test)
	4 kV (type test)

Product properties

Product type	Power supply
Product family	QUINT POWER
MTBF (IEC 61709, SN 29500)	> 500000 h

Insulation characteristics

Protection class	I (with PE connection)
------------------	------------------------

Dimensions

QUINT-PS-3X400-500AC/24DC/30 - Power supply



2938633

<https://www.phoenixcontact.com/us/products/2938633>

Width	240 mm
Height	130 mm
Depth	130 mm

Alternative assembly

Width	122 mm
Height	243 mm
Depth	243 mm

Mounting

Assembly note	alignable: vertical with spacing = 5 cm
Mounting position	on horizontal DIN rail NS 35 in acc. with EN 60715

Material specifications

Housing material	Metal
Type of housing	AluNox (AlMg1)

Environmental and real-life conditions

Ambient conditions

Degree of protection	IP20
Ambient temperature (operation)	-25 °C ... 70 °C (> 60 °C Derating: 2,5 %/K)
Ambient temperature (storage/transport)	-40 °C ... 85 °C
Max. permissible relative humidity (operation)	95 % (at 25 °C, non-condensing)

Standards and regulations

Standard - Electrical safety	EN 60950-1/VDE 0805 (SELV)
	EN 61558-2-17
Standard - Safe isolation	DIN VDE 0100-410

EMC data

Electromagnetic compatibility	Conformance with EMC directive 89/336/EC
EMC requirements for noise immunity	EN 61000-6-2

Noise emission

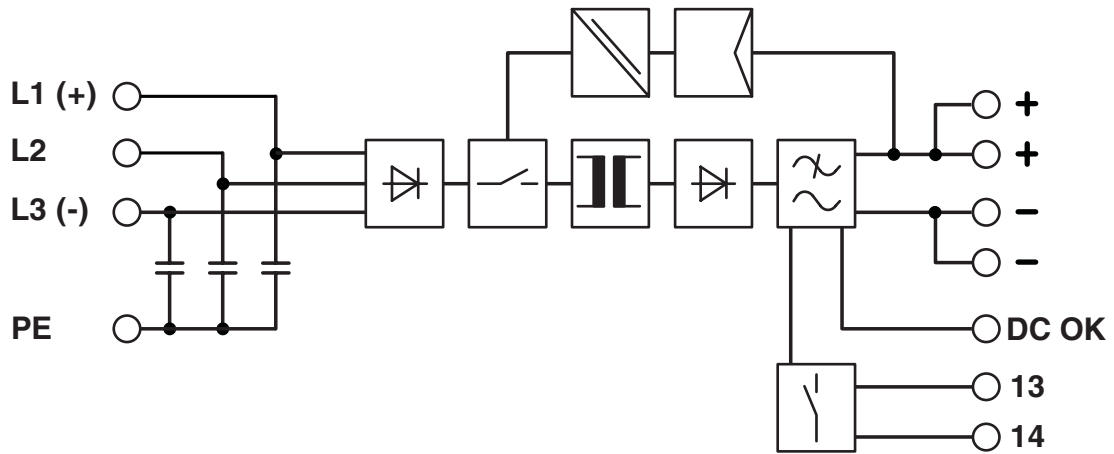
Standards/regulations	EN 55011 (EN 55022)
-----------------------	---------------------

2938633

<https://www.phoenixcontact.com/us/products/2938633>

Drawings

Block diagram



QUINT-PS-3X400-500AC/24DC/30 - Power supply



2938633

<https://www.phoenixcontact.com/us/products/2938633>

Classifications

UNSPSC

UNSPSC 21.0

39121004

Phoenix Contact 2026 © - all rights reserved

<https://www.phoenixcontact.com>

Phoenix Contact USA

586 Fulling Mill Road

Middletown, PA 17057, United States

(+717) 944-1300

info@phoenixcon.com