

MINI-PS-120-230AC/24DC/0.65 - Power supply



2938497

<https://www.phoenixcontact.com/us/products/2938497>

Please be informed that the data shown in this PDF document is generated from our online catalog. Please find the complete data in the user documentation. Our general terms of use for downloads are valid.



Power supply unit, primary switched-mode

Commercial data

Item number	2938497
Packing unit	1 pc
Note	Made to order (non-returnable)
Sales key	CM11
Product key	CMPM13
GTIN	4017918607555
Weight per piece (including packing)	140 g
Weight per piece (excluding packing)	140 g
Customs tariff number	85044094
Country of origin	DE

Technical data

Input data

Nominal input voltage range	100 V AC ... 240 V AC
Input voltage range	85 V AC ... 264 V AC
	90 V DC ... 350 V DC
Input voltage range AC	85 V AC ... 264 V AC
Input voltage range DC	90 V DC ... 350 V DC
Inrush current	< 10 A (at 25 °C, < 1 ms)
AC frequency range	47 Hz ... 63 Hz
Frequency range DC	0 Hz
Mains buffering time	> 30 ms (at 120 V AC)
	> 100 ms (at 230 V AC)
Current consumption	0.2 A (at 230 V AC (nominal load))
	0.4 A (at 120 V AC (nominal load))
Typical response time	< 1 s
Input fuse	Internal

Output data

Efficiency	> 80 % (for 230 V AC and nominal values)
Nominal output voltage	24 V DC \pm 3 %
Nominal output current (I_N)	0.65 A (up to 60 °C)
POWER BOOST (I_{Boost})	1.2 A
Residual ripple	< 100 mV _{PP}
Output power	15.6 W
Peak switching voltages nominal load	< 20 mV _{PP} (20 MHz)
Maximum no-load power dissipation	< 2.2 W
Power loss nominal load max.	< 3.2 W
Connection in parallel	yes, for assembling redundant systems
Connection in series	yes

Connection data

Input

Connection method	Pluggable screw connection
Conductor cross-section, rigid min.	0.2 mm ²
Conductor cross-section, rigid max.	2.5 mm ²
Conductor cross-section flexible min.	0.2 mm ²
Conductor cross-section flexible max.	2.5 mm ²
Conductor cross-section AWG min.	24
Conductor cross-section AWG max.	14
Stripping length	7 mm
Screw thread	M3

MINI-PS-120-230AC/24DC/0.65 - Power supply



2938497

<https://www.phoenixcontact.com/us/products/2938497>

Output

Connection method	Pluggable screw connection
Conductor cross-section, rigid min.	0.2 mm ²
Conductor cross-section, rigid max.	2.5 mm ²
Conductor cross-section flexible min.	0.2 mm ²
Conductor cross-section flexible max.	2.5 mm ²
Conductor cross-section AWG min.	24
Conductor cross-section AWG max.	14
Stripping length	7 mm

Signaling

Signal output

Status display	Green LED (DC OK = LED permanently lit)
----------------	---

Electrical properties

Insulation voltage input/output	3 kV (routine test)
	4 kV (type test)

Product properties

Product type	Power supply
MTBF (IEC 61709, SN 29500)	> 500000 h

Dimensions

Width	22.5 mm
Height	99 mm
Depth	114.5 mm

Mounting

Assembly note	alignable: vertical with spacing > 10 cm, horizontal with zero spacing
Mounting position	on horizontal DIN rail NS 35 in acc. with EN 60715

Material specifications

Type of housing	Polyamide PA, color: green
-----------------	----------------------------

Environmental and real-life conditions

Ambient conditions

Degree of protection	IP20
Ambient temperature (operation)	-25 °C ... 60 °C (UL up to 50°C)
Ambient temperature (storage/transport)	-40 °C ... 85 °C
Max. permissible relative humidity (operation)	95 % (at 25 °C, non-condensing)

Standards and regulations

Standard - Electrical safety	EN 60950-1/VDE 0805 (SELV)
------------------------------	----------------------------

MINI-PS-120-230AC/24DC/0.65 - Power supply



2938497

<https://www.phoenixcontact.com/us/products/2938497>

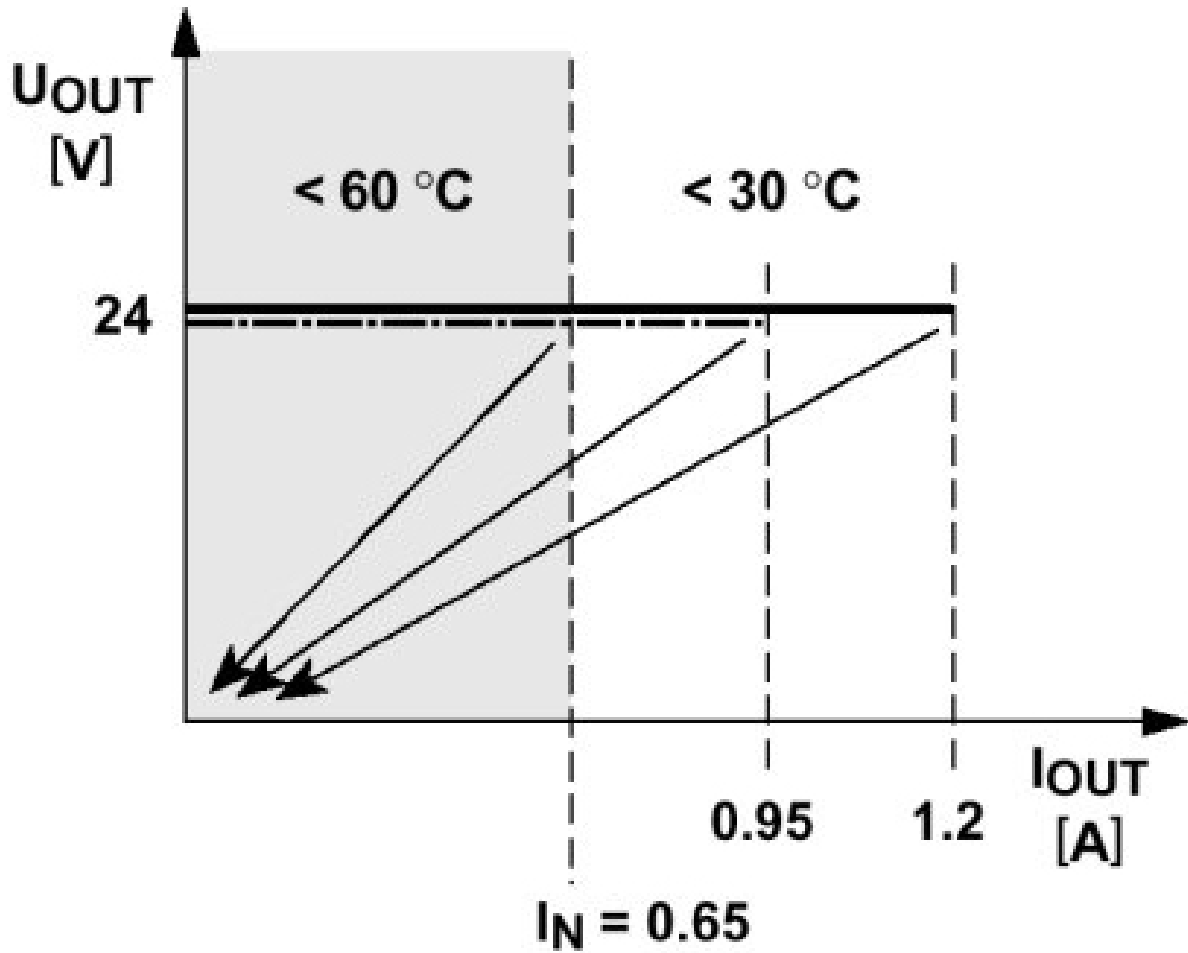
Standard - Safe isolation	DIN VDE 0100-410
---------------------------	------------------

EMC data

Electromagnetic compatibility	Conformance with EMC directive 89/336/EC
-------------------------------	--

Drawings

Diagram



— $U_{IN} = 230\text{ V AC}$

- - - $U_{IN} = 120\text{ V AC}$

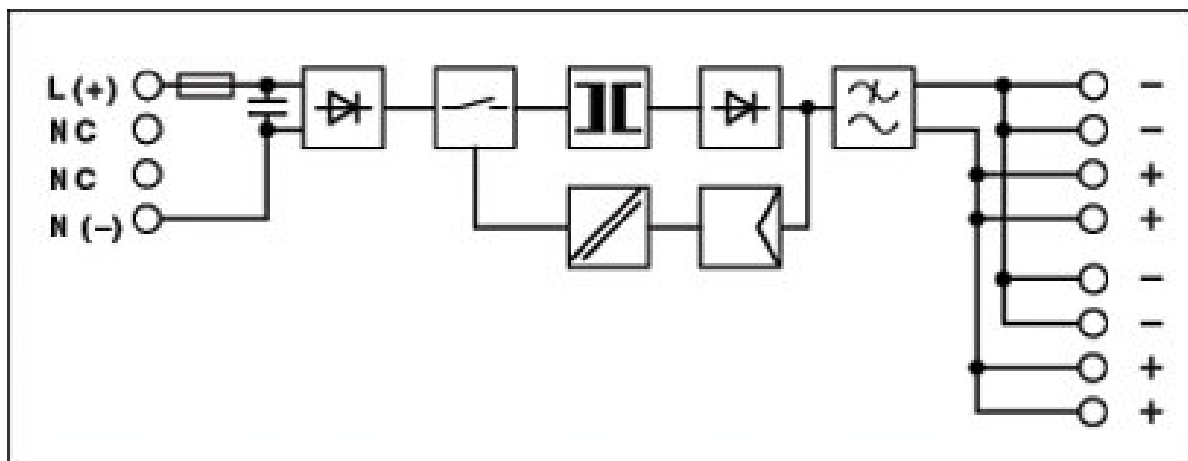
MINI-PS-120-230AC/24DC/0.65 - Power supply



2938497

<https://www.phoenixcontact.com/us/products/2938497>

Circuit diagram



MINI-PS-120-230AC/24DC/0.65 - Power supply



2938497

<https://www.phoenixcontact.com/us/products/2938497>

Environmental product compliance

EU REACH SVHC

REACH candidate substance (CAS No.)	No substance above 0.1 wt%
-------------------------------------	----------------------------

Phoenix Contact 2026 © - all rights reserved

<https://www.phoenixcontact.com>

Phoenix Contact USA
586 Fulling Mill Road
Middletown, PA 17057, United States
(+717) 944-1300
info@phoenixcon.com