

MACX MCR-SL-IDS-I-SP - Output signal conditioner



2924223

<https://www.phoenixcontact.com/us/products/2924223>

Please be informed that the data shown in this PDF document is generated from our online catalog. Please find the complete data in the user documentation. Our general terms of use for downloads are valid.



Output signal conditioner, HART. Isolates and transmits 0/4 - 20 mA signals to a load (I/P converters, regulating valves, displays). Open-circuit detection, SIL 2 in accordance with IEC 61508, Push-in connection. Replacement item: 2908064 MACX MCR-IDS-I-I-SP.

Your advantages

- Power supply possible via DIN rail connector
- Up to SIL 2 in accordance with EN 61508
- Installation in zone 2, protection type "n" (EN 60079-15) permitted
- Line fault detection (LFD)
- Output: 0/4 mA ... 20 mA
- Input: 0/4 mA ... 20 mA
- Plug-in screw or spring-cage connection technology (Push-in technology), with integrated sockets for HART communicators
- 3-way electrical isolation
- Bidirectional transmission of digital HART communication signals

Commercial data

Item number	2924223
Packing unit	1 pc
Note	Made to order (non-returnable)
Sales key	C402
Product key	DK1112
GTIN	4046356449533
Weight per piece (including packing)	171.7 g
Weight per piece (excluding packing)	128.9 g
Customs tariff number	85437090
Country of origin	DE

Technical data

Product properties

Product type	Output signal conditioner
Application	Analog OUT
No. of channels	1

Insulation characteristics

Overvoltage category	II
Pollution degree	2

Electrical properties

Electrical isolation	3-way isolation
Electrical isolation between input and output	yes
Signal transmission behavior	In = Out
Step response (10-90%)	< 140 μ s (for 4 mA ... 20 mA step)
Maximum temperature coefficient	< 0.01 %/K
Maximum transmission error	< 0.1 % (of final value)
Transmission error, typical	< 0.05 % (of final value)

Electrical isolation Input/output/power supply

Rated insulation voltage	300 V _{rms}
Test voltage	1.5 kV AC (50 Hz, 60 s)

Supply

Nominal supply voltage	24 V DC
Supply voltage range	19.2 V DC ... 30 V DC (24 V DC, -20 % ... +25 %)
Max. current consumption	< 46 mA (24 V DC / 20 mA)
Power dissipation	< 1.1 W (24 V DC / 20 mA)

Input data

Signal

Number of inputs	1
Current input signal	0 mA ... 20 mA 4 mA ... 20 mA
Input impedance	> 100 k Ω (If there is a line fault)
Voltage drop	5.4 V (20 mA)

Output data

Signal: Current

Output description	Current output
Number of outputs	1
Current output signal	0 mA ... 20 mA 4 mA ... 20 mA

MACX MCR-SL-IDS1-I-SP - Output signal conditioner



2924223

<https://www.phoenixcontact.com/us/products/2924223>

Load/output load current output	< 800 Ω (20 mA)
	< 730 Ω (22.5 mA)
Output ripple	< 20 mV _{rms}

Connection data

Connection method	Push-in connection
Stripping length	8 mm
Conductor cross-section rigid	0.2 mm ² ... 1.5 mm ²
Conductor cross-section flexible	0.2 mm ² ... 1.5 mm ²
Conductor cross-section AWG	24 ... 16

Interfaces

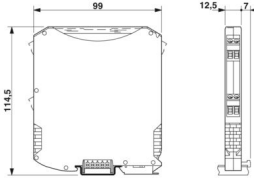
Data communication (bypass)

HART function	Yes
Protocols supported	HART

Signaling

Status display	Green LED (supply voltage)
----------------	----------------------------

Dimensions

Dimensional drawing	
Width	12.5 mm
Height	116 mm
Depth	114.5 mm

Material specifications

Color	gray (RAL 7042)
Flammability rating according to UL 94 (Housing)	V0 (Housing)
Housing material	PA 6.6-FR

Characteristics

Safety data: IEC 61508 - High demand

Safety Integrity Level (SIL)	2
------------------------------	---

Safety data: IEC 61508 - Low demand

Safety Integrity Level (SIL)	2
------------------------------	---

Environmental and real-life conditions

MACX MCR-SL-IDSII-SP - Output signal conditioner



2924223

<https://www.phoenixcontact.com/us/products/2924223>

Ambient conditions

Degree of protection	IP20 (not assessed by UL)
Ambient temperature (operation)	-20 °C ... 60 °C (Any mounting position)
Ambient temperature (storage/transport)	-40 °C ... 85 °C
Altitude	≤ 2000 m
Permissible humidity (operation)	10 % ... 95 % (non-condensing)

Approvals

CE

Certificate	CE-compliant
Note	and EN 61326-1

ATEX

Identification	⊕ II 3 G Ex nA IIC T4 Gc X
----------------	----------------------------

UL, USA/Canada

Identification	UL 508 Listed
	UL 61010 Listed
	Class I, Div. 2, Groups A, B, C, D T4
	Class I, Zone 2, Group IIC T4

Shipbuilding approval

Identification	C, EMC1
Certificate	GL 86 644-10HH

GL

Identification	C, EMC1
----------------	---------

Safety Integrity Level (SIL, IEC 61508)

Identification	2
----------------	---

EMC data

Electromagnetic compatibility	Conformance with EMC directive
Noise immunity	EN 61000-6-2

Noise emission

Standards/regulations	EN 61000-6-4
-----------------------	--------------

Electromagnetic HF field

Designation	Electromagnetic RF field
Standards/regulations	EN 61000-4-3

Standards and regulations

Electrical isolation	3-way isolation
----------------------	-----------------

Mounting

Mounting type	DIN rail mounting
---------------	-------------------

MACX MCR-SL-IDS1-I-SP - Output signal conditioner

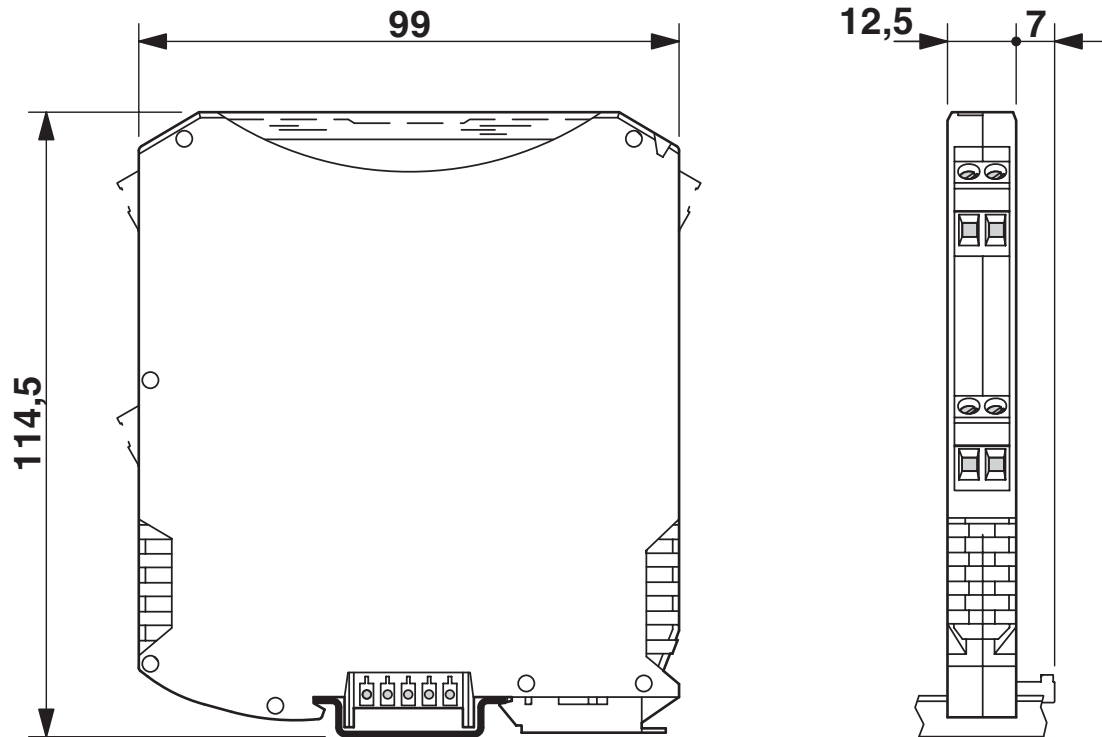
2924223

<https://www.phoenixcontact.com/us/products/2924223>



Drawings

Dimensional drawing

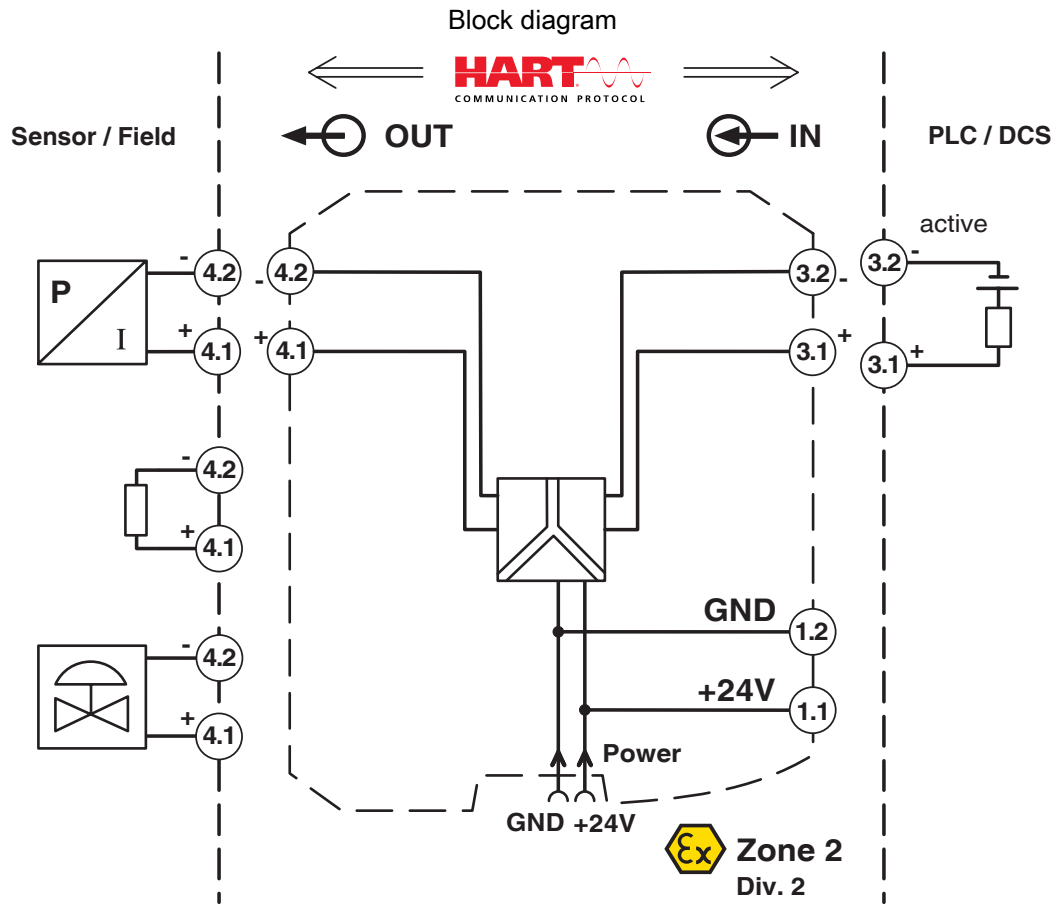


MACX MCR-SL-IDS-I-SP - Output signal conditioner



2924223

<https://www.phoenixcontact.com/us/products/2924223>



MACX MCR-SL-IDSII-SP - Output signal conditioner



2924223

<https://www.phoenixcontact.com/us/products/2924223>

Classifications

UNSPSC

UNSPSC 21.0	39121008
-------------	----------

2924223

<https://www.phoenixcontact.com/us/products/2924223>

Environmental product compliance

EU RoHS

Fulfills EU RoHS substance requirements	Yes
Exemption	7(a), 7(c)-I

China RoHS

Environment friendly use period (EFUP)	EFUP-50
	An article-related China RoHS declaration table can be found in the download area for the respective article under "Manufacturer declaration". For all articles with EFUP-E, no China RoHS declaration table issued and required.

EU REACH SVHC

REACH candidate substance (CAS No.)	No substance above 0.1 wt%
-------------------------------------	----------------------------

Phoenix Contact 2026 © - all rights reserved
<https://www.phoenixcontact.com>

Phoenix Contact USA
586 Fulling Mill Road
Middletown, PA 17057, United States
(+717) 944-1300
info@phoenixcon.com