

MACX MCR-EX-SL-SD-21-25-LP-SP - Solenoid driver



2924113

<https://www.phoenixcontact.com/us/products/2924113>

Please be informed that the data shown in this PDF document is generated from our online catalog. Please find the complete data in the user documentation. Our general terms of use for downloads are valid.



Ex i solenoid driver. For the intrinsically safe control of Ex i solenoid valves, alarm modules or LEDs installed in the Ex area. Current limitation at 25 mA. For gases up to Group IIC, loop-powered, electrical isolation, SIL 3. Push-in connection.

Your advantages

- Mechanically compatible with the DIN rail connector
- Various output characteristic curves compatible with standard solenoid valves
- Loop-powered: the required power is supplied via the control signal on the input side.
- Installation in zone 2, protection type "n" (EN 60079-15) permitted
- Up to SIL 3 in accordance with IEC 61508
- 2-way electrical isolation
- Output: [Ex ia] IIC/[Ex ia] IIB
- Input: 19.2 V DC ... 30 V DC

Commercial data

Item number	2924113
Packing unit	1 pc
Minimum order quantity	1 pc
Sales key	C430
Product key	DK1214
GTIN	4046356338516
Weight per piece (including packing)	160 g
Weight per piece (excluding packing)	147.5 g
Customs tariff number	85437090
Country of origin	DE

2924113

<https://www.phoenixcontact.com/us/products/2924113>

Technical data

Product properties

Product type	Solenoid driver
Product family	MACX Analog
No. of channels	1
Compatible valve	Norgren Herion Coil 2080 / 2082 Norgren Herion Coil 2081 / 2083 Norgren Herion Coil 2084 Hörbiger Piezo P8 38x RF-Nx-SPN65 30 V type Hörbiger Piezo P20 381RF-NG-CPN61 30 V type Samson Coil 3701-11 (6 V) Samson Coil 3701-12 (12 V) Samson Coil 3701-13 (24 V) Samson Coil 3963-11 (6 V) Samson Coil 3963-12 (12 V) Samson Coil 3963-13 (24 V) Samson Coil 3964-11 (6 V) Samson Coil 3964-12 (12 V) Samson Coil 3964-13 (24 V) Seitz Pilot valve PV 12F73 Ci oH Seitz Pilot valve PV 12F73 Xi oH Seitz Pilot valve PV 12F73 Xi oH-2
Note	This is an extract of possible combinations of valves and solenoid drivers.

Electrical properties

Electrical isolation	2-way isolation
Electrical isolation between input and output	yes
Maximum temperature coefficient	0.01 %/K

Electrical isolation

Test voltage	2.5 kV AC (50 Hz, 60 s)
Overvoltage category	II
Pollution degree	2

Electrical isolation Output/input IEC/EN 60079-11

Standards/regulations	IEC/EN 60079-11
Rated insulation voltage	375 V _{PP}

Electrical isolation Output/input IEC/EN 61010-1

Standards/regulations	IEC/EN 61010-1
Rated insulation voltage	300 V _{rms}
Insulation	Safe isolation

2924113

<https://www.phoenixcontact.com/us/products/2924113>

Supply

Supply voltage range	loop-powered, no external supply necessary
Power dissipation	< 0.845 W

Input data

Signal: Voltage

Number of inputs	1
Voltage input signal	19.2 V DC ... 30 V DC (24 V DC, -20 % ... +25 %)
Max. current input signal	45 mA ($U_e = 24$ V DC)

Output data

Signal: Voltage

Output description	intrinsically safe
Number of outputs	1
Output voltage	≥ 5.5 V DC (25 mA)
Current limitation	> 25 mA
Response time	< 20 ms
Open-circuit voltage	> 21.9 V DC
Short-circuit-proof	yes

Connection data

Connection method	Push-in connection
Stripping length	10 mm
Conductor cross-section rigid	0.2 mm ² ... 2.5 mm ²
Conductor cross-section flexible	0.2 mm ² ... 2.5 mm ²
Conductor cross-section flexible (2 conductors with same cross section)	0.25 mm ² ... 0.34 mm ² (TWIN ferrule without plastic sleeve)
	0.5 mm ² ... 1.5 mm ² (TWIN ferrule with plastic sleeve)
Conductor cross-section AWG	24 ... 14
	24 ... 22 (TWIN ferrule without plastic sleeve)
	20 ... 16 (TWIN ferrule with plastic sleeve)

Ex data

Ex installation (EPL)	Gc
	Div. 2
Ex i circuits (EPL)	[Ga]
	[Da]
	[Ma]
	[Div. 1]

Safety data

Input power P_i	negligible
Max. internal inductance L_i	negligible
Max. internal capacitance C_i	negligible

MACX MCR-EX-SL-SD-21-25-LP-SP - Solenoid driver



2924113

<https://www.phoenixcontact.com/us/products/2924113>

Max. output voltage U_o	25.1 V
Max. output current I_o	39 mA
Max. output power P_o	245 mW
Maximum internal resistance R_i	641.1 Ω
Safety-related maximum voltage U_m	253 V AC
	125 V DC
I/A/I (simple circuit): Max. external inductivity L_o / Max. external capacitance C_o	187 mH / 2.93 μ F
I/B/IIC (simple circuit): Max. external inductivity L_o / Max. external capacitance C_o	93.5 mH / 0.83 μ F
I/C (simple circuit): Max. external inductivity L_o / Max. external capacitance C_o	23.4 mH / 0.108 μ F
I/A/I (mixed circuit): Max. external inductivity L_o / Max. external capacitance C_o	100 mH / 470 nF, 5 mH / 660 nF, 1 mH / 680 nF, 0.1 mH / 1000 nF
I/B/IIC (mixed circuit): Max. external inductivity L_o / Max. external capacitance C_o	5 mH / 300 nF, 0.5 mH / 500 nF
I/C (mixed circuit): Max. external inductivity L_o / Max. external capacitance C_o	5 mH / 70 nF, 0.15 mH / 100 nF

Signaling

Status display	Yellow LED (switching state / status, lights up when output circuit is active)
----------------	--

Dimensions

Dimensional drawing	
Width	12.5 mm
Height	107.9 mm
Depth	113.7 mm
Depth NS 35/7,5	114.5 mm (Snapped onto DIN rail NS 35/7,5 in accordance with EN 60715)

Material specifications

Color	gray (RAL 7042)
Flammability rating according to UL 94 (Housing)	V0 (Housing)
Housing material	PA 6.6-FR

Environmental and real-life conditions

Ambient conditions

Degree of protection	IP20 (not assessed by UL)
Ambient temperature (operation)	-40 °C ... 60 °C (Any mounting position)
	-40 °C ... 70 °C (Derating)

MACX MCR-EX-SL-SD-21-25-LP-SP - Solenoid driver



2924113

<https://www.phoenixcontact.com/us/products/2924113>

Ambient temperature (storage/transport)	-40 °C ... 80 °C
Permissible humidity (operation)	10 % ... 95 % (non-condensing)

Altitude range (≤ 2000 m)

Altitude	≤ 2000 m (The technical data refers to altitudes ≤2000 m above mean sea level. For altitudes >2000 m above mean sea level, refer to the data sheet.)
Ambient temperature (operation)	-40 °C ... 70 °C
Safety-related maximum voltage U_m	253 V AC
	125 V DC
Rated insulation voltage	375 V _{PP} (IEC/EN 60079-11)
	265 V ($U_{\text{Isolation rated "ec"}}$)

Altitude range (≤ 3000 m)

Height range	> 2000 m ... 3000 m
Ambient temperature (operation)	-40 °C ... 63 °C
Safety-related maximum voltage U_m	190 V AC
	110 V DC
Rated insulation voltage	190 V (IEC/EN 60079-11)
	190 V ($U_{\text{Isolation rated "ec"}}$)

Altitude range (≤ 4000 m)

Height range	> 3000 m ... 4000 m
Ambient temperature (operation)	-40 °C ... 56 °C
Safety-related maximum voltage U_m	60 V
Rated insulation voltage	60 V (IEC/EN 60079-11)
	60 V ($U_{\text{Isolation rated "ec"}}$)

Altitude range (≤ 5000 m)

Height range	> 4000 m ... 5000 m
Ambient temperature (operation)	-40 °C ... 49 °C
Safety-related maximum voltage U_m	60 V
Rated insulation voltage	60 V (IEC/EN 60079-11)
	60 V ($U_{\text{Isolation rated "ec"}}$)

Approvals

CE

Certificate	CE-compliant
Note	and EN 61326

ATEX

Identification	⊕ I (M1) [Ex ia Ma] I
	⊕ II (1) G [Ex ia Ga] IIC
	⊕ II (1) D [Ex ia Da] IIIC
	⊕ II 3(1) G Ex ec [ia Ga] IIC T4 Gc
Certificate	IBExU 07 ATEX 1133X

MACX MCR-EX-SL-SD-21-25-LP-SP - Solenoid driver



2924113

<https://www.phoenixcontact.com/us/products/2924113>

IECEX

Identification	[Ex ia Ma] I
	[Ex ia Ga] IIC
	[Ex ia Da] IIIC
	Ex ec [ia Ga] IIC T4 Gc
Certificate	IECEX IBE 08.0002X

CCC / China-Ex

Identification	[Ex ia Ga] IIC
	[Ex ia Da] IIIC
	Ex ec [ia Ga] IIC T4 Gc
Certificate	2022122316115980

UL, USA/Canada

Identification	UL 61010 Listed
	Class I, Div. 2, Groups A, B, C, D T4
	Class I, Div. 2, Groups IIC, IIB, IIA T4
	Associated apparatus for use in Class I, Division 1, Groups A,B,C,D
	Associated apparatus for use in Class II, Div.1 Groups E,F,G
	Associated apparatus for use in Class III, Division 1
	Associated apparatus for use in Class I, Zone 0,1,2, Groups IIC,IIB,IIA
Certificate	® C.D.-No 83104549

Shipbuilding approval

Certificate	DNV GL TAA000020C
-------------	-------------------

Safety Integrity Level (SIL, IEC 61508)

Identification	3
----------------	---

INMETRO

Identification	[Ex ia Ma] I
	[Ex ia Ga] IIC
	[Ex ia Da] IIIC
	Ex ec [ia Ga] IIC T4 Gc
Certificate	DNV 18.0115 X

Shipbuilding data

Temperature	B
Humidity	B
Vibration	A
EMC	A
Enclosure	Required protection according to the Rules shall be provided upon installation on board

EMC data

MACX MCR-EX-SL-SD-21-25-LP-SP - Solenoid driver



2924113

<https://www.phoenixcontact.com/us/products/2924113>

Electromagnetic compatibility	Conformance with EMC directive
Noise immunity	EN 61000-6-2

Noise emission

Standards/regulations	EN 61000-6-4
-----------------------	--------------

Standards and regulations

Electrical isolation	2-way isolation
----------------------	-----------------

GB Standard

Standards/regulations	GB/T 3836.1
	GB/T 3836.3
	GB/T 3836.4

Mounting

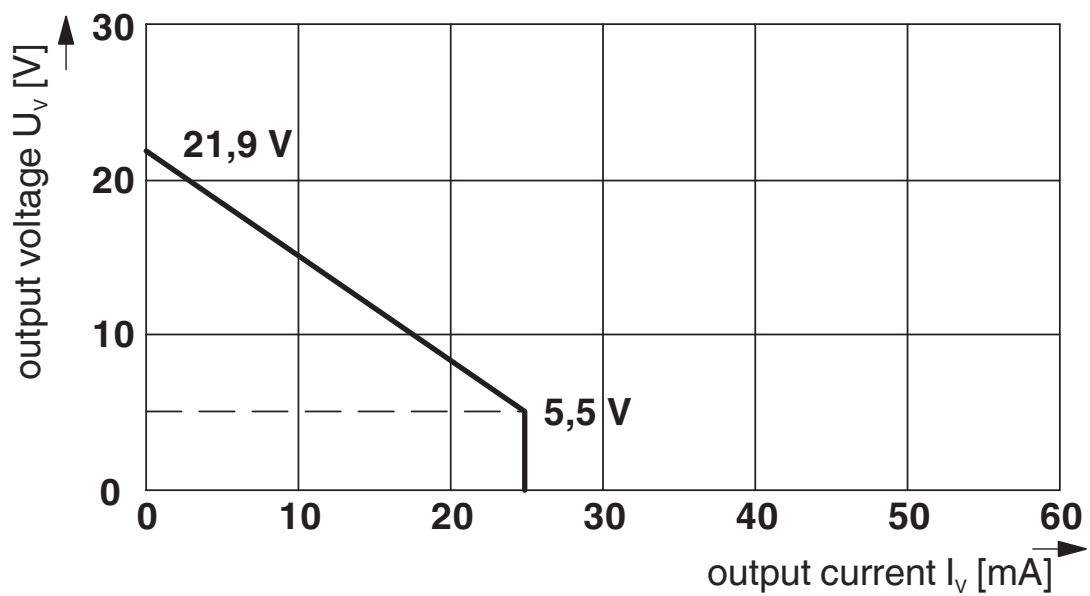
Mounting type	DIN rail mounting
---------------	-------------------

Drawings

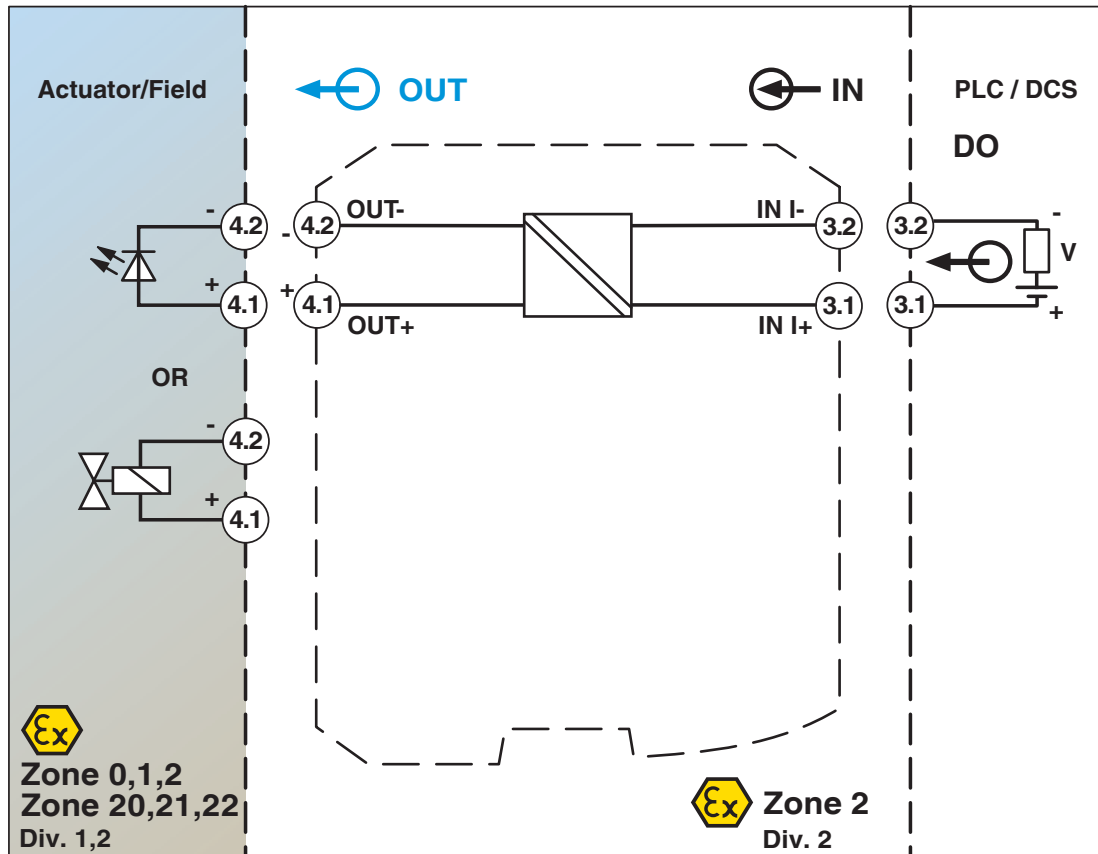
Dimensional drawing



Diagram



Block diagram



2924113

<https://www.phoenixcontact.com/us/products/2924113>

Approvals

To download certificates, visit the product detail page: <https://www.phoenixcontact.com/us/products/2924113>

DNV

Approval ID: TAA000020C



UL Listed

Approval ID: E330267



cUL Listed

Approval ID: E330267

Functional Safety

Approval ID: 16/04-017 R025 V1R1



IECEx

Approval ID: IECEx IBE 08.0002X



CCC

Approval ID: 2022122316115980



cUL Listed

Approval ID: E199827



UL Listed

Approval ID: E199827



ATEX

Approval ID: IBExU 07 ATEX 1133 X

INMETRO

Approval ID: DNV 18.0115 X

2924113

<https://www.phoenixcontact.com/us/products/2924113>

Classifications

ECLASS

ECLASS-13.0	27210120
ECLASS-15.0	27210120

ETIM

ETIM 10.0	EC002653
-----------	----------

UNSPSC

UNSPSC 21.0	39121000
-------------	----------

2924113

<https://www.phoenixcontact.com/us/products/2924113>

Environmental product compliance

EU RoHS

Fulfills EU RoHS substance requirements	Yes
Exemption	7(a), 7(c)-I

China RoHS

Environment friendly use period (EFUP)	EFUP-50
	An article-related China RoHS declaration table can be found in the download area for the respective article under "Manufacturer declaration". For all articles with EFUP-E, no China RoHS declaration table issued and required.

EU REACH SVHC

REACH candidate substance (CAS No.)	Lead(CAS: 7439-92-1)
	2,2',6,6'-tetrabromo-4,4'-isopropylidenediphenol(CAS: 79-94-7)
SCIP	7df6c8ce-db8b-4d2f-b208-5bbb0af029c2

Phoenix Contact 2026 © - all rights reserved
<https://www.phoenixcontact.com>

Phoenix Contact USA
 586 Fulling Mill Road
 Middletown, PA 17057, United States
 (+717) 944-1300
info@phoenixcon.com