

VAL-MS 385/80/3+0 - Type 2 surge arrester



2921093

<https://www.phoenixcontact.com/us/products/2921093>

Please be informed that the data shown in this PDF document is generated from our online catalog. Please find the complete data in the user documentation. Our general terms of use for downloads are valid.



Type 2 surge protective device for 4-conductor power supply systems (L1, L2, L3, PEN), with plug latching.

Commercial data

Item number	2921093
Packing unit	1 pc
Minimum order quantity	1 pc
Note	Made to order (non-returnable)
Product key	CL1322
GTIN	4046356290852
Weight per piece (including packing)	480.9 g
Weight per piece (excluding packing)	480.9 g
Country of origin	DE

VAL-MS 385/80/3+0 - Type 2 surge arrester

2921093

<https://www.phoenixcontact.com/us/products/2921093>

Technical data

Product properties

Product type	Surge arrester
Product family	VALVETRAB MS
IEC test classification	II
	T2
EN type	T2
IEC power supply system	TN-C
Type	DIN rail module, two-section, divisible
Surge protection fault message	optical
Number of ports	One

Insulation characteristics

Overvoltage category	III
Pollution degree	2

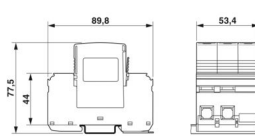
Electrical properties

Nominal frequency f_N	50 Hz (60 Hz)
-------------------------	---------------

Connection data

Connection method	Screw connection
Screw thread	M5
Tightening torque	3 Nm (1.5 mm ² ... 16 mm ²)
	4.5 Nm (25 mm ² ... 35 mm ²)
Stripping length	16 mm
Conductor cross-section flexible	1.5 mm ² ... 25 mm ²
Conductor cross-section rigid	1.5 mm ² ... 35 mm ²
Conductor cross-section AWG	15 ... 2
Connection method	Fork-type cable lug
Conductor cross-section flexible	1.5 mm ² ... 16 mm ²

Dimensions

Dimensional drawing	
Width	53.4 mm
Height	89.8 mm
Depth	77.5 mm (incl. DIN rail 7.5 mm)
Horizontal pitch	3 Div.

Material specifications

VAL-MS 385/80/3+0 - Type 2 surge arrester



2921093

<https://www.phoenixcontact.com/us/products/2921093>

Flammability rating according to UL 94	V-0
CTI value of material	600
Insulating material	PA 6.6/PBT
Material group	I
Housing material	PA 6.6 PBT

Protective circuit

Mode of protection	L-PEN
Direction of action	3L-PEN
Nominal voltage U_N	240/415 V AC (TN-C)
Nominal frequency f_N	50 Hz (60 Hz)
Maximum continuous operating voltage U_C	385 V AC
Rated load current I_L	80 A
Protective conductor current I_{PE}	$\leq 1800 \mu\text{A}$
Standby power consumption P_C	$\leq 690 \text{ mVA}$
Nominal discharge current I_n (8/20) μs	40 kA
Maximum discharge current I_{max} (8/20) μs	80 kA
Impulse discharge current (10/350) μs , charge	1.25 As
Impulse discharge current (10/350) μs , specific energy	1.56 kJ/ Ω
Impulse discharge current (10/350) μs , peak value I_{imp}	2.5 kA
Total discharge current I_{Total} (8/20) μs	200 kA
Total discharge current I_{Total} (10/350) μs	7.5 kA
Short-circuit current rating I_{SCCR}	25 kA
Voltage protection level U_p	$\leq 2 \text{ kV}$
Residual voltage U_{res}	$\leq 2 \text{ kV}$ (at I_n) $\leq 1.3 \text{ kV}$ (at 10 kA) $\leq 1.2 \text{ kV}$ (at 5 kA) $\leq 1.15 \text{ kV}$ (at 3 kA)
TOV behavior at U_T	480 V AC (5 s / withstand mode) 457 V AC (120 min / withstand mode)
Response time t_A	$\leq 25 \text{ ns}$
Max. backup fuse with V-type through wiring	80 A (gG - 16 mm ²)
Max. backup fuse with branch wiring	250 A (gG)

Environmental and real-life conditions

Ambient conditions

Degree of protection	IP20 (only when all terminal points are used)
Ambient temperature (operation)	-40 °C ... 80 °C
Ambient temperature (storage/transport)	-40 °C ... 80 °C
Altitude	$\leq 2000 \text{ m}$ (amsl)
Permissible humidity (operation)	5 % ... 95 %
Shock (operation)	30g (Half-sine / 11 ms / 3x $\pm X$, $\pm Y$, $\pm Z$)
Vibration (operation)	7.5g (10 ... 500 Hz / 2.5 h / X, Y, Z)

VAL-MS 385/80/3+0 - Type 2 surge arrester



2921093

<https://www.phoenixcontact.com/us/products/2921093>

Approvals

UL specifications

Maximum continuous operating voltage MCOV (L-L)	385 V AC
Maximum continuous operating voltage MCOV (L-G)	385 V AC
Nominal discharge current I_n (L-L)	20 kA
Nominal discharge current I_n (L-G)	20 kA
Mode of protection	L-L
	L-G
Nominal voltage	240 V AC
Power distribution system	Delta
Nominal frequency	50/60 Hz
Measured limiting voltage MLV (L-L)	3860 V
Measured limiting voltage MLV (L-G)	2710 V
SPD Type	4CA

UL connection data

Tightening torque	30 lb _F -in.
Conductor cross-section AWG	10 ... 2

Standards and regulations

Standards/specifications	IEC 61643-11
Note	2011
Standards/specifications	EN 61643-11
Note	2012

Mounting

Mounting type	DIN rail: 35 mm
---------------	-----------------

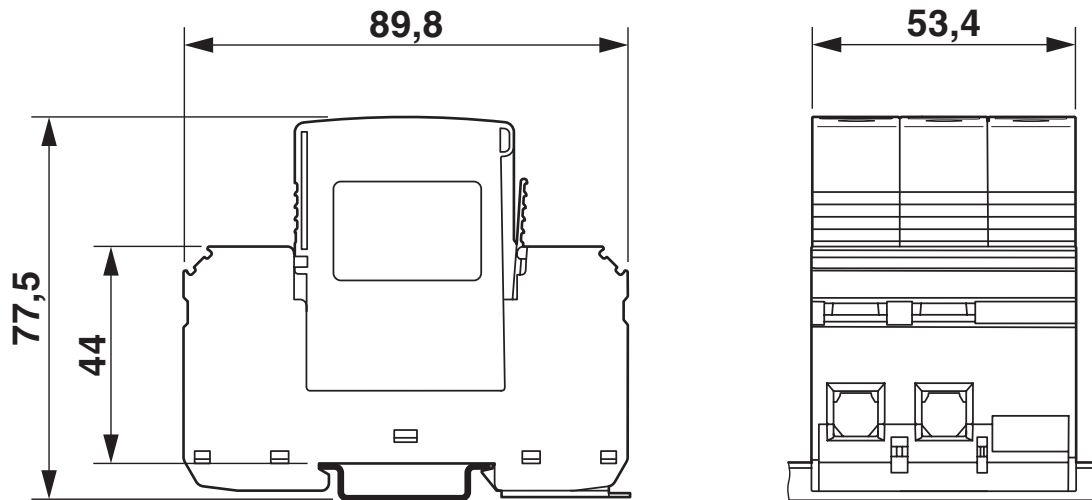
VAL-MS 385/80/3+0 - Type 2 surge arrester

2921093

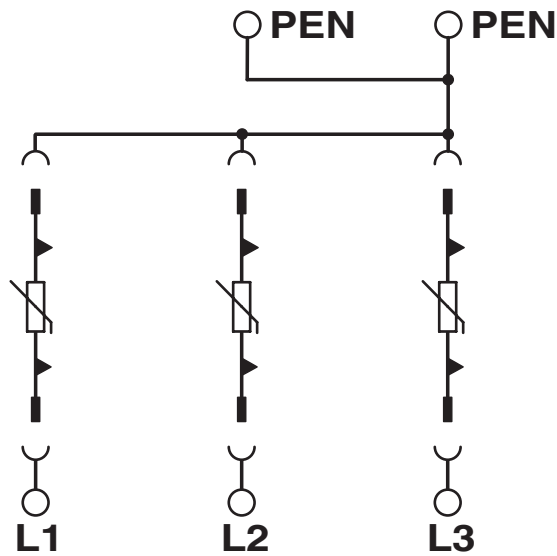
<https://www.phoenixcontact.com/us/products/2921093>

Drawings

Dimensional drawing



Circuit diagram



VAL-MS 385/80/3+0 - Type 2 surge arrester



2921093

<https://www.phoenixcontact.com/us/products/2921093>

Environmental product compliance

EU RoHS

Fulfills EU RoHS substance requirements	Yes, No exemptions
-----------------------------------------	--------------------

China RoHS

Environment friendly use period (EFUP)	EFUP-E
	No hazardous substances above the limits

EU REACH SVHC

REACH candidate substance (CAS No.)	No substance above 0.1 wt%
-------------------------------------	----------------------------

Phoenix Contact 2026 © - all rights reserved
<https://www.phoenixcontact.com>

Phoenix Contact USA
586 Fulling Mill Road
Middletown, PA 17057, United States
(+717) 944-1300
info@phoenixcon.com