

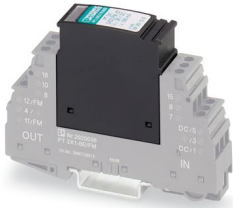
PT 2X1-24DC/FM-ST - Surge protection plug



2920120

<https://www.phoenixcontact.com/us/products/2920120>

Please be informed that the data shown in this PDF document is generated from our online catalog. Please find the complete data in the user documentation. Our general terms of use for downloads are valid.



Surge protection plug with integrated diagnostic and status indicator on the module and remote indication contact for two signal wires with common reference potential. Nominal voltage: 24 V DC

Your advantages

- Easy testing and documentation with CHECKMASTER 2 with pluggable protective modules
- Maximum ease of maintenance, thanks to the 2-piece design
- Easy selection for all possible demands in MCR applications with a complete product portfolio
- The signal is not influenced during maintenance work, thanks to the impedance-neutral insertion and removal of protective plugs
- Permanent protective device monitoring with optical signaling via LED

Commercial data

Item number	2920120
Packing unit	10 pc
Minimum order quantity	10 pc
Sales key	CL21
Product key	CL2112
GTIN	4046356154079
Weight per piece (including packing)	30 g
Weight per piece (excluding packing)	26.196 g
Customs tariff number	85363010
Country of origin	DE

PT 2X1-24DC/FM-ST - Surge protection plug



2920120

<https://www.phoenixcontact.com/us/products/2920120>

Technical data

Product properties

Product type	Surge protection for MCR technology
Product family	PLUGTRAB PT
IEC test classification	C1
	C2
	C3
	D1
VDE requirement class	C1
	C2
	C3
	D1
Type	Male
Surge protection fault message	Optical, remote indicator contact

Electrical properties

Nominal voltage U_N	24 V DC
-----------------------	---------

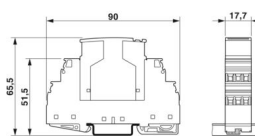
Indicator/remote signaling

Switching function	N/C contact
Maximum operating voltage $U_{max. AC}$	250 V AC
Max. operating current I_{max}	0.2 A (250 V AC)
	0.2 A (220 V DC)
	1 A (60 V AC)
	1 A (60 V DC)

Connection data

Connection method	Screw connection (in connection with the base element)
Screw thread	M3
Tightening torque	0.8 Nm
Conductor cross-section flexible	0.2 mm ² ... 2.5 mm ²
Conductor cross-section rigid	0.2 mm ² ... 4 mm ²
Conductor cross-section AWG	24 ... 12

Dimensions

Dimensional drawing	
Width	17.5 mm
Height	44.8 mm
Depth	51.7 mm

PT 2X1-24DC/FM-ST - Surge protection plug



2920120

<https://www.phoenixcontact.com/us/products/2920120>

Horizontal pitch	1 Div.
Complete module width	17.7 mm
Complete module height	90 mm
Complete module depth	65.5 mm

Material specifications

Color	black (RAL 9005)
Flammability rating according to UL 94	V-0
Housing material	PA 6.6

Mechanical properties

Mechanical data

Open side panel	No
-----------------	----

Protective circuit

Direction of action	Line-Line & Line-Signal Ground/Shield & optional Signal Ground/Shield-Earth Ground
Nominal voltage U_N	24 V DC
Maximum continuous operating voltage U_C	28 V DC
	20 V AC
Rated current	300 mA (45 °C)
Operating effective current I_C at U_C	$\leq 5 \mu\text{A}$
Standby power consumption P_C	$\leq 1.73 \text{ VA}$
Protective conductor current I_{PE}	$\leq 1 \mu\text{A}$ (with PT 2X1+F-BE)
	$\leq 10 \mu\text{A}$ (Directly grounded)
Nominal discharge current I_n (8/20) μs (line-ground)	10 kA
Pulse discharge current I_{imp} (10/350) μs	2.5 kA (per path)
Total discharge current I_{Total} (8/20) μs	20 kA
Max. discharge current I_{max} (8/20) μs maximum (line-earth)	10 kA
Nominal pulse current I_{an} (10/1000) μs (line-earth)	33 A (25 °C)
Output voltage limitation at 1 kV/ μs (line-earth) spike	$\leq 50 \text{ V}$
	$\leq 600 \text{ V}$ (with PT 2X1+F-BE)
Output voltage limitation at 1 kV/ μs (line-signal ground) spike	$\leq 50 \text{ V}$
Output voltage limitation at 1 kV/ μs (line-earth) static	$\leq 40 \text{ V}$
Output voltage limitation at 1 kV/ μs (line-signal ground) static	$\leq 40 \text{ V}$
Residual voltage at I_n (conductor-ground)	$\leq 40 \text{ V}$
Residual voltage with I_{an} (10/1000) μs (line-earth)	$\leq 50 \text{ V}$
Voltage protection level U_p (line-earth)	$\leq 40 \text{ V}$ (C1 - 500 V / 250 A)
	$\leq 40 \text{ V}$ (C3 - 25 A)
Voltage protection level U_p (line-signal ground)	$\leq 40 \text{ V}$ (C1 - 500 V / 250 A)
	$\leq 40 \text{ V}$ (C3 - 25 A)
Response time t_A (line-earth)	$\leq 1 \text{ ns}$
Input attenuation aE, asym.	typ. 0.5 dB ($\leq 1 \text{ MHz}$ / 50 Ω)
	typ. 0.2 dB ($\leq 400 \text{ kHz}$ / 150 Ω)

PT 2X1-24DC/FM-ST - Surge protection plug



2920120

<https://www.phoenixcontact.com/us/products/2920120>

Cut-off frequency f_g (3 dB), asym. (signal ground) in 50 Ω system	typ. 6 MHz
Cut-off frequency f_g (3 dB), asym. (signal ground) in 150 Ω system	typ. 2.5 MHz
Resistance per path	4.7 Ω (7-8/11-12)
Surge protection fault message	Optical, remote indicator contact
Max. required back-up fuse	315 mA (T)
Impulse durability (line-earth)	C2 - 10 kV / 5 kA
	D1 - 2.5 kA
	C3 - 25 A
Alternating current carrying capacity (line-earth)	5 A - 1 s

Environmental and real-life conditions

Ambient conditions

Degree of protection	IP20
Ambient temperature (operation)	-40 °C ... 85 °C

Standards and regulations

VDE requirement class	C1
	C2
	C3
	D1

Standards Information technology specification

Standards/regulations	IEC 61643-21
	DIN EN 61643-21
	IEC 61643-21
	DIN EN 61643-21

Air clearances and creepage distances

Standards/regulations	VDE 0110-1 / IEC 60664-1
Standards/specifications	IEC 61643-21
Note	2002

Mounting

Mounting type	on base element
---------------	-----------------

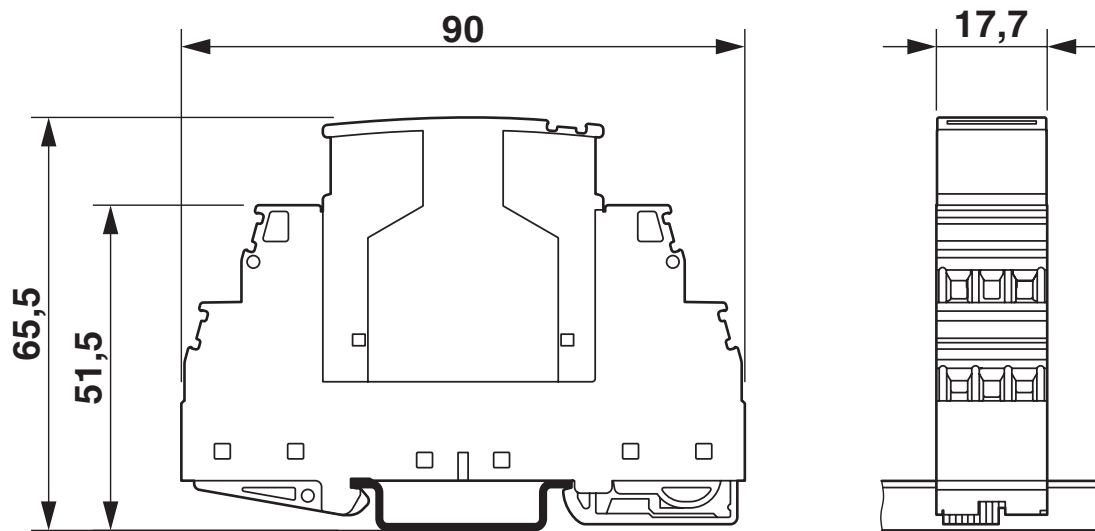
PT 2X1-24DC/FM-ST - Surge protection plug

2920120

<https://www.phoenixcontact.com/us/products/2920120>

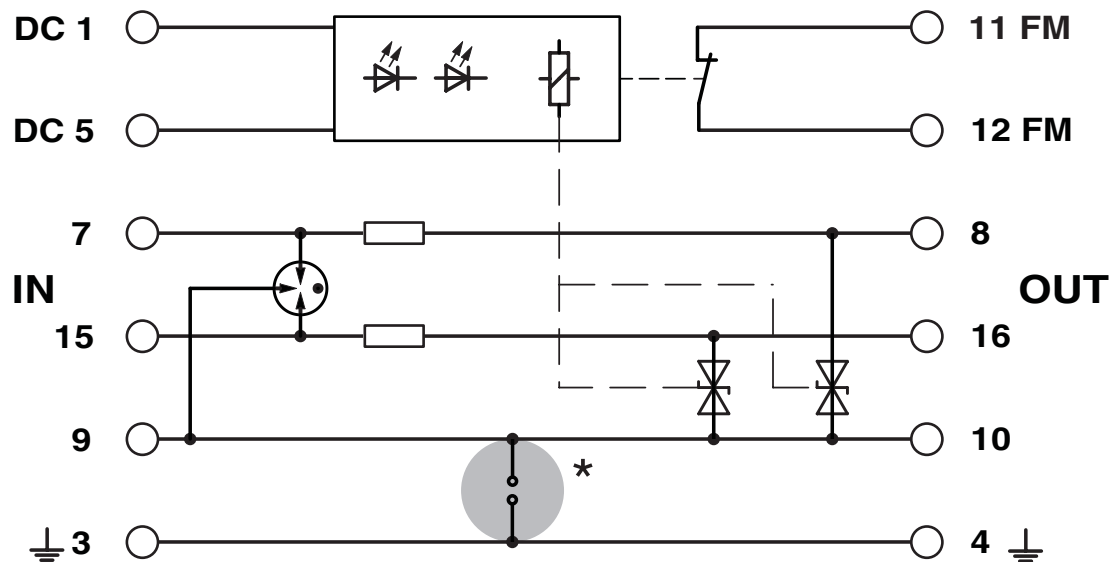
Drawings

Dimensional drawing



The figure shows the complete module consisting of a base element and connector

Circuit diagram



PT 2X1-24DC/FM-ST - Surge protection plug



2920120

<https://www.phoenixcontact.com/us/products/2920120>

Approvals

To download certificates, visit the product detail page: <https://www.phoenixcontact.com/us/products/2920120>



UL Listed

Approval ID: FILE E 138168

PT 2X1-24DC/FM-ST - Surge protection plug



2920120

<https://www.phoenixcontact.com/us/products/2920120>

Classifications

ECLASS

ECLASS-13.0	27171501
ECLASS-15.0	27171501

ETIM

ETIM 10.0	EC001466
-----------	----------

UNSPSC

UNSPSC 21.0	39121600
-------------	----------

2920120

<https://www.phoenixcontact.com/us/products/2920120>

Environmental product compliance

EU RoHS

Fulfills EU RoHS substance requirements	Yes
Exemption	7(a), 7(c)-I

China RoHS

Environment friendly use period (EFUP)	EFUP-50
	An article-related China RoHS declaration table can be found in the download area for the respective article under "Manufacturer declaration". For all articles with EFUP-E, no China RoHS declaration table issued and required.

EU REACH SVHC

REACH candidate substance (CAS No.)	Lead(CAS: 7439-92-1)
	2,2',6,6'-tetrabromo-4,4'-isopropylidenediphenol(CAS: 79-94-7)
SCIP	3dc0865d-3ab8-44b9-8783-b7eb453b51ec

EF3.1 Climate Change

CO2e kg	4.866 kg CO2e
---------	---------------

Phoenix Contact 2026 © - all rights reserved
<https://www.phoenixcontact.com>

Phoenix Contact USA
586 Fulling Mill Road
Middletown, PA 17057, United States
(+717) 944-1300
info@phoenixcon.com