

ETD-BL-1T-ON-CC-300S-SP - Timer relay

2917586

<https://www.phoenixcontact.com/us/products/2917586>

Please be informed that the data shown in this PDF document is generated from our online catalog. Please find the complete data in the user documentation. Our general terms of use for downloads are valid.



Timer relay with switch-on delay (with control contact) and an adjustable time range (3 s - 300 s), with spring-cage connection

The figure shows the ETD-BL-1T-ON-CC- 10S
2917418 version

Product description

Compact timer relay in 6.2 mm housing for controlling time sequences.

The time is set on the front of the device using a labeled thumbwheel, which is recessed to protect against accidental modification. A screwdriver is used to change the settings (blade width 2.5 mm).

The compact timer relays are available with different time ranges as well as with a screw, spring-cage, and push-in connection.

Your advantages

- 6.2 mm narrow design width
- High level of setting accuracy thanks to labeled and illuminated thumb wheel

Commercial data

Item number	2917586
Packing unit	1 pc
Note	Made to order (non-returnable)
Sales key	NULL
Product key	DK6471
GTIN	4046356367516
Weight per piece (including packing)	45.99 g
Weight per piece (excluding packing)	45.99 g
Customs tariff number	85364900
Country of origin	DE

Technical data

Product properties

Product type	Timer relay
Operating mode	100% operating factor
Mechanical service life	approx. 2×10^7 cycles

Insulation characteristics

Insulation	Safe isolation
Overvoltage category	III
Pollution degree	2

Electrical properties

Service life electrical	approx. 2×10^5 cycles at ohmic load, 1000 VA
Rated insulation voltage	300 V AC
Rated surge voltage	6 kV

Input data

Input voltage range	24 V DC (19.2 V DC ... 30 V DC)
Nominal current typ.	15 mA (Relay ON) 7 mA (Relay OFF)
Function	ON-CC: With switch-on delay with control contact
Setting range time	0.3 s ... 300 s
Setting accuracy	≤ 2.5 % (of scale end value)
Repeat accuracy	≤ 0.5 % (From the measuring range final value)

Control

Connection name	Non-floating, terminals A1-B1
Control pulse length	min. 50 ms

Output data

Switching

Contact switching type	1 floating changeover contact
Output fuse	6.3 A (fast-blow)

Connection data

Connection method	Spring-cage connection
Stripping length	8 mm
Conductor cross-section rigid	0.14 mm ² ... 2.5 mm ²
Conductor cross-section flexible	0.14 mm ² ... 2.5 mm ²
Conductor cross-section AWG	26 ... 12

Signaling

Status display	Green LED (POWER)
----------------	-------------------

ETD-BL-1T-ON-CC-300S-SP - Timer relay



2917586

<https://www.phoenixcontact.com/us/products/2917586>

	Yellow LED (relay active)
--	---------------------------

Dimensions

Width	6.2 mm
Height	80 mm
Depth	86 mm

Material specifications

Color	green (RAL 6021)
Flammability rating according to UL 94	V0
Housing insulation material	Polyamide PA, self-extinguishing

Environmental and real-life conditions

Ambient conditions

Degree of protection	IP20
Ambient temperature (operation)	-20 °C ... 65 °C
Ambient temperature (storage/transport)	-25 °C ... 80 °C
Permissible humidity (operation)	15 % ... 85 %

Approvals

CE

Certificate	CE-compliant
-------------	--------------

ATEX

Identification	Ⓜ II 3 G Ex nA nC IIC T4 Gc X
----------------	-------------------------------

UL, USA/Canada

Identification	UL/C-UL Listed UL 508
----------------	-----------------------

GL

Identification	GL EMC 1 C
----------------	------------

EMC data

Electromagnetic compatibility	Conformance with EMC directive
Low Voltage Directive	Conformance with Low Voltage Directive
Noise immunity	EN 61000-6-2
Note	When being exposed to interference, there may be minimal deviations.

Noise emission

Standards/regulations	EN 61000-6-4
-----------------------	--------------

Standards and regulations

Standards/regulations	EN 50178
-----------------------	----------

Mounting

ETD-BL-1T-ON-CC-300S-SP - Timer relay



2917586

<https://www.phoenixcontact.com/us/products/2917586>

Assembly note	on standard DIN rail NS 35 in accordance with EN 60715
Mounting position	any

ETD-BL-1T-ON-CC-300S-SP - Timer relay

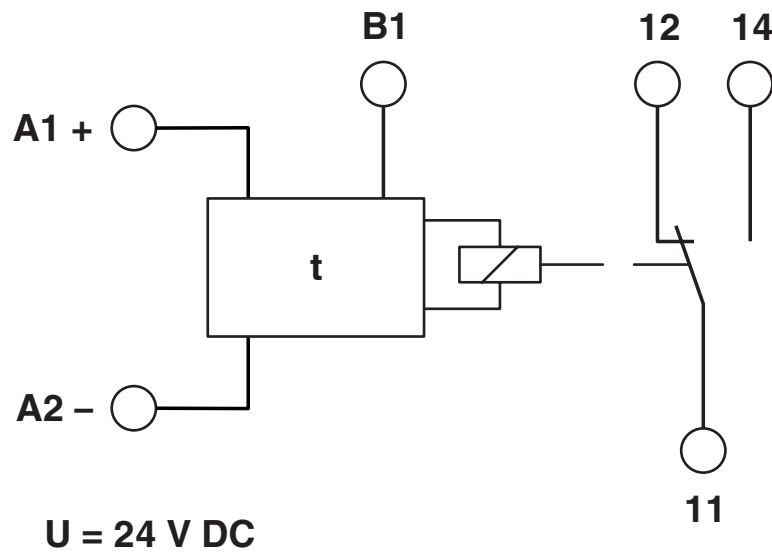
2917586

<https://www.phoenixcontact.com/us/products/2917586>



Drawings

Block diagram



ETD-BL-1T-ON-CC-300S-SP - Timer relay



2917586

<https://www.phoenixcontact.com/us/products/2917586>

Environmental product compliance

China RoHS

Environment friendly use period (EFUP)	EFUP-50 An article-related China RoHS declaration table can be found in the download area for the respective article under "Manufacturer declaration". For all articles with EFUP-E, no China RoHS declaration table issued and required.
--	--

EU REACH SVHC

REACH candidate substance (CAS No.)	No substance above 0.1 wt%
-------------------------------------	----------------------------

Phoenix Contact 2026 © - all rights reserved
<https://www.phoenixcontact.com>

Phoenix Contact USA
586 Fulling Mill Road
Middletown, PA 17057, United States
(+717) 944-1300
info@phoenixcon.com