

RAD-ISM-TW-PB-GATEWAY - Wireless module



2917366

<https://www.phoenixcontact.com/us/products/2917366>

Please be informed that the data shown in this PDF document is generated from our online catalog. Please find the complete data in the user documentation. Our general terms of use for downloads are valid.



PROFIBUS coupler for wireless network consisting of RAD-ISM-2400-DATA-BD-BUS wireless modules at the PROFIBUS-DP (max. 12 Mbps)

Your advantages

- GSD file with predefined software modules
- Maximum PROFIBUS speed of up to 12 Mbps
- Cyclic data exchange of non-time-critical IO signals
- Connection of up to ten wireless stations
- Can only be used in conjunction with the RAD-ISM-2400-DATA-BD-BUS wireless module
- Easy diagnostics for the wireless network in PROFIBUS

Commercial data

Item number	2917366
Packing unit	1 pc
Minimum order quantity	1 pc
Product key	DNC65Z
GTIN	4046356412018
Weight per piece (including packing)	225.8 g
Weight per piece (excluding packing)	225.8 g
Country of origin	DE

Technical data

Notes

Utilization restriction

EMC note	EMC: class A product, see manufacturer's declaration in the download area
----------	---

Product properties

Product type	Gateways/Proxies
Operating mode	100% operating factor

Electrical properties

Insulation voltage PROFIBUS side / equipment electronics	500 V AC (1 min.)
Maximum power dissipation for nominal condition	1.2 W
Test voltage data interface/power supply	500 V AC

Supply

Nominal supply voltage	24 V DC -20 % ... +25 % (U_B)
Typical current consumption	50 mA (plus load current of an output)
Protective circuit	Polarity protection, surge protection

Input data

Digital

Input voltage	24 V DC \pm 20 %
Nominal input current at U_{IN}	typ. 50 mA (plus load current of an output)
Protective circuit	Polarity protection, surge protection

Output data

Digital

Output name	Digital outputs
Number of outputs	1
Residual voltage	< 0.5 V DC (U_{Rest} at I_N)
Maximum switching voltage	24 V DC \pm 20 % ($U_B - U_{Resid.}$ of output)
Max. switching current	150 mA
Protective circuit	Polarity protection, surge protection; Freewheeling diode
Connection method	COMBICON

Connection data

Supply

Connection method	COMBICON
Tightening torque	0.56 Nm ... 0.79 Nm

Interfaces

RAD-ISM-TW-PB-GATEWAY - Wireless module



2917366

<https://www.phoenixcontact.com/us/products/2917366>

Signal	PROFIBUS
--------	----------

Data: RS-232 interface, (V.24)

Transmission speed	57.6 kbps
Connection method	COMBICON
Conductor cross-section flexible max.	2.5 mm ²
Conductor cross-section flexible min.	0.2 mm ²
Conductor cross-section, rigid max.	2.5 mm ²
Conductor cross-section, rigid min.	0.2 mm ²
Conductor cross-section AWG max.	14
Conductor cross-section AWG min.	24

Data: PROFIBUS DP

Data rate	12 MBit/s
Connection method	D-SUB-9

Dimensions

Width	35 mm
Height	114.5 mm
Depth	99 mm

Material specifications

Color (Housing)	green (RAL 6021)
Material (Housing)	Polycarbonate

Environmental and real-life conditions

Ambient conditions

Degree of protection	IP20
Ambient temperature (operation)	-20 °C ... 65 °C
Ambient temperature (storage/transport)	-20 °C ... 70 °C

Mounting

Assembly note	in rows with zero spacing
Mounting position	any

RAD-ISM-TW-PB-GATEWAY - Wireless module

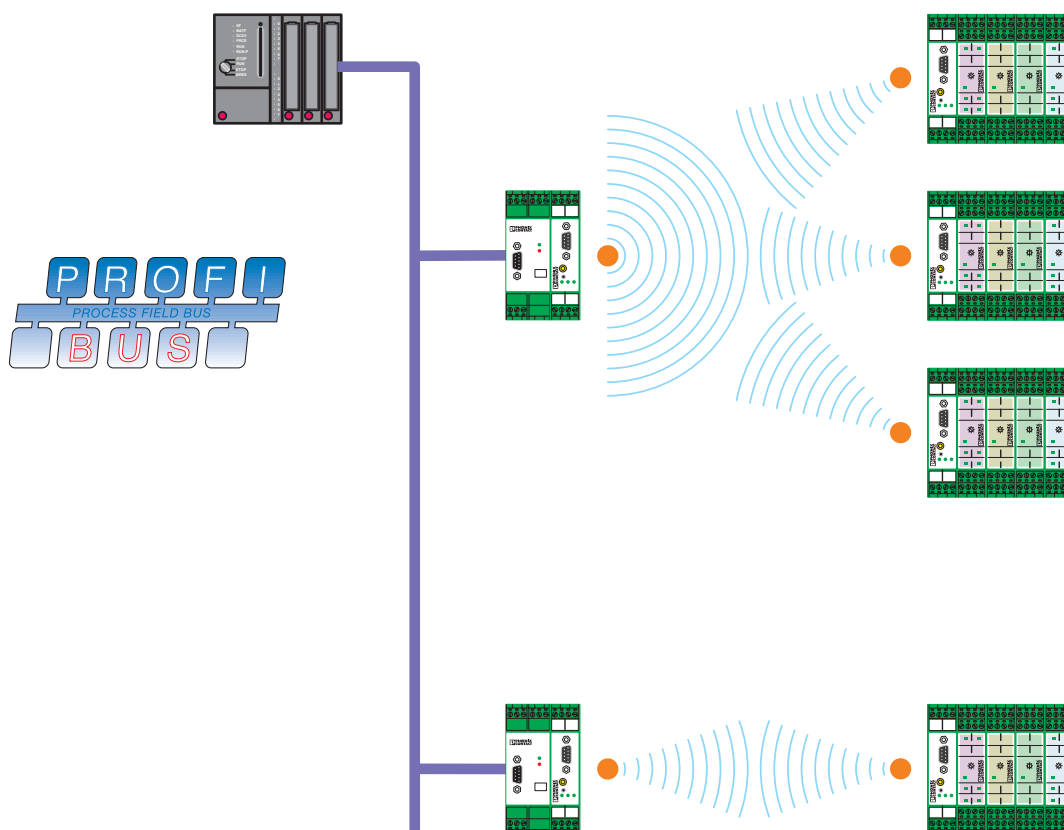


2917366

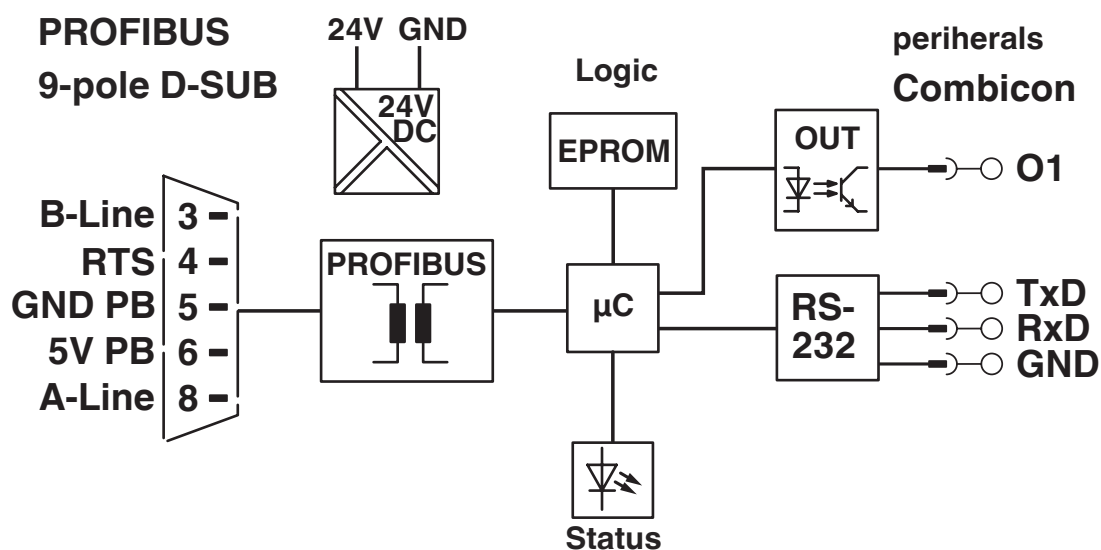
<https://www.phoenixcontact.com/us/products/2917366>

Drawings

Application drawing



Block diagram



2917366

<https://www.phoenixcontact.com/us/products/2917366>

Environmental product compliance

China RoHS

Environment friendly use period (EFUP)	EFUP-50
	An article-related China RoHS declaration table can be found in the download area for the respective article under "Manufacturer declaration". For all articles with EFUP-E, no China RoHS declaration table issued and required.

EU REACH SVHC

REACH candidate substance (CAS No.)	No substance above 0.1 wt%
-------------------------------------	----------------------------

Phoenix Contact 2026 © - all rights reserved

<https://www.phoenixcontact.com>

Phoenix Contact USA
586 Fulling Mill Road
Middletown, PA 17057, United States
(+717) 944-1300
info@phoenixcon.com