

UEG 20 GN OHNE LOGO - Electronics housing



2914521

<https://www.phoenixcontact.com/us/products/2914521>

Please be informed that the data shown in this PDF document is generated from our online catalog. Please find the complete data in the user documentation. Our general terms of use for downloads are valid.

Electronic housing, for PCB insertion, fully equipped with 4 screw or tab connections per side



Commercial data

Item number	2914521
Packing unit	10 pc
Minimum order quantity	10 pc
Note	Made to order (non-returnable)
Product key	ACHCCA
GTIN	4017918976606
Weight per piece (including packing)	49.7 g
Weight per piece (excluding packing)	41.308 g
Country of origin	DE

2914521

<https://www.phoenixcontact.com/us/products/2914521>

Technical data

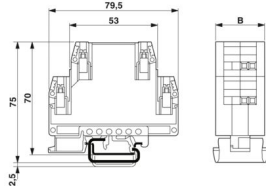
Product properties

Product type	Complete housing
Housing type	Component housing
Housing series	UEG
Product family	UEG
Type	Connection system integrated, housing closed
Number of positions	8
Pitch	5 mm
Pin layout	Linear pinning

Connection data

Connection method	Screw connection
-------------------	------------------

Dimensions

Dimensional drawing	
Width	20 mm
Installed height	70 mm
Height NS 35/7,5	70 mm
Depth	79.5 mm
Pitch	5 mm

Material specifications

Color (Housing)	green (RAL 6021)
Material Housing	PA
Flammability rating according to UL 94	V0
Surface characteristics	untreated

Environmental and real-life conditions

Ambient conditions

Ambient temperature (operation)	-40 °C ... 105 °C (depending on power dissipation)
Ambient temperature (storage/transport)	-40 °C ... 70 °C
Ambient temperature (assembly)	-5 °C ... 100 °C

Mounting

Mounting type	DIN rail mounting
Pin layout	Linear pinning

UEG 20 GN OHNE LOGO - Electronics housing

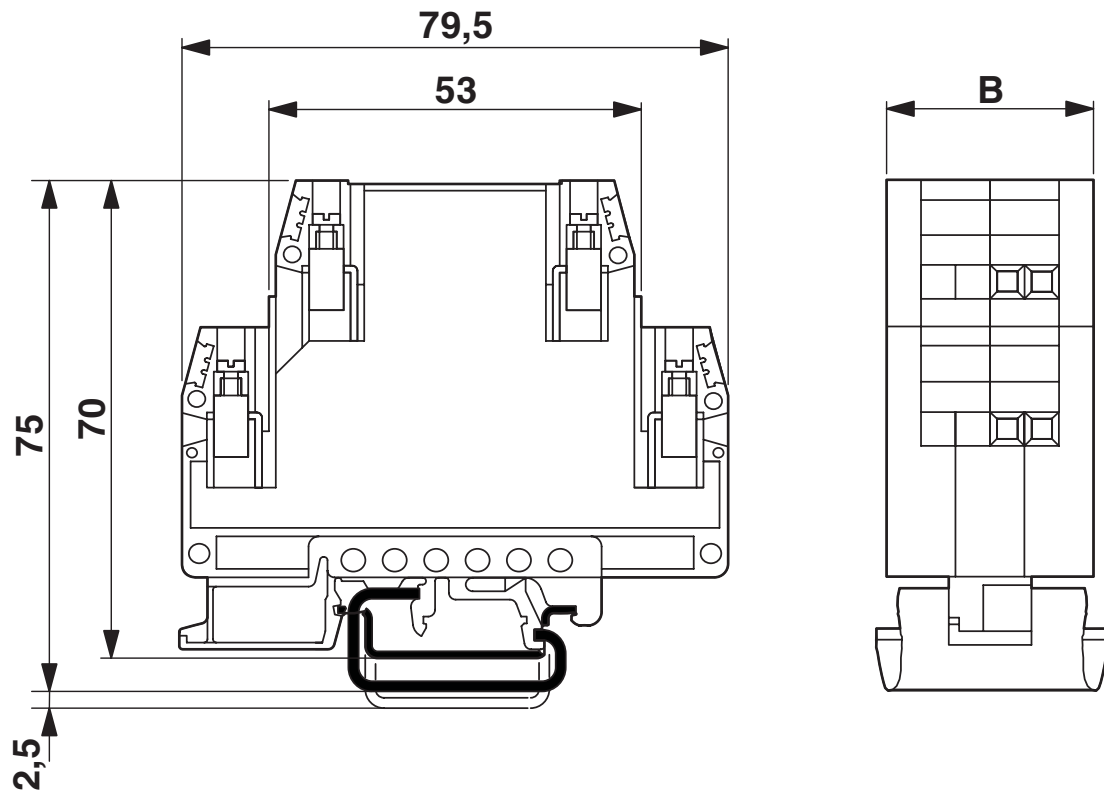
2914521

<https://www.phoenixcontact.com/us/products/2914521>



Drawings

Dimensional drawing



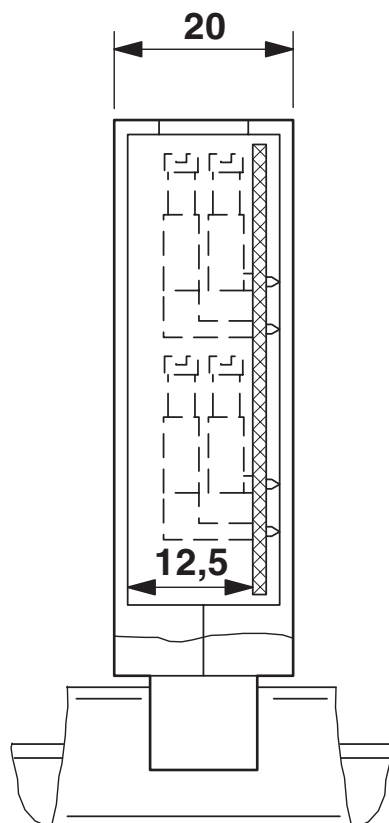
UEG 20 GN OHNE LOGO - Electronics housing

2914521

<https://www.phoenixcontact.com/us/products/2914521>

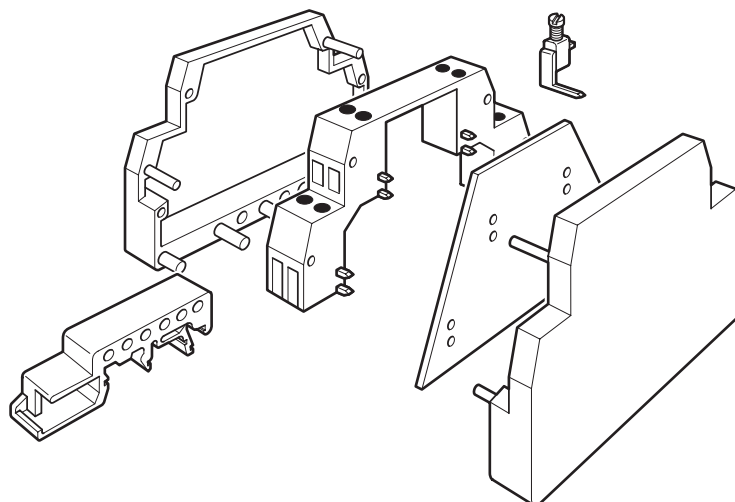


Dimensional drawing



UEG 20 with 1 PCB, up to max. 8 pos.

Exploded view




2914521

<https://www.phoenixcontact.com/us/products/2914521>

Approvals

To download certificates, visit the product detail page: <https://www.phoenixcontact.com/us/products/2914521>

 cULus Recognized Approval ID: E60425-19770427		Nominal voltage U_N	Nominal current I_N	Cross section AWG	Cross section mm^2
B		300 V	10 A	30 - 12	-
D		300 V	10 A	30 - 12	-

2914521

<https://www.phoenixcontact.com/us/products/2914521>

Classifications

ECLASS

ECLASS-13.0	27190501
ECLASS-15.0	27190501

ETIM

ETIM 10.0	EC001031
-----------	----------

UNSPSC

UNSPSC 21.0	31261500
-------------	----------

2914521

<https://www.phoenixcontact.com/us/products/2914521>

Environmental product compliance

EU RoHS

Fulfills EU RoHS substance requirements	Yes, No exemptions
---	--------------------

China RoHS

Environment friendly use period (EFUP)	EFUP-E
	No hazardous substances above the limits

EU REACH SVHC

REACH candidate substance (CAS No.)	No substance above 0.1 wt%
-------------------------------------	----------------------------

EF3.1 Climate Change

CO2e kg	0.286 kg CO2e
---------	---------------

Phoenix Contact 2026 © - all rights reserved
<https://www.phoenixcontact.com>

Phoenix Contact USA
586 Fulling Mill Road
Middletown, PA 17057, United States
(+717) 944-1300
info@phoenixcon.com