

PLC-RSP- 24DC/21-21AU - Relay module



2912578

<https://www.phoenixcontact.com/us/products/2912578>

Please be informed that the data shown in this PDF document is generated from our online catalog. Please find the complete data in the user documentation. Our general terms of use for downloads are valid.



PLC-INTERFACE, consisting of PLC-BSP.../21-21AU basic terminal block with spring-cage connection and plug-in miniature relay with multi-layer gold contact, for mounting on DIN rail NS 35/7,5, 2 changeover contacts, input voltage 24 V DC

Your advantages

- Slim design
- Efficient connection to system cabling using V8 adapter
- Safe isolation between coil and contact side
- RT III sealed relay
- Integrated input circuit and interference suppression circuit
- Functional plug-in bridges

Commercial data

| | |
|--------------------------------------|--------------------------------|
| Item number | 2912578 |
| Packing unit | 1 pc |
| Note | Made to order (non-returnable) |
| Sales key | C461 |
| Product key | DK622D |
| GTIN | 4046356050982 |
| Weight per piece (including packing) | 63.33 g |
| Weight per piece (excluding packing) | 63.33 g |
| Customs tariff number | 85364190 |
| Country of origin | DE |

PLC-RSP- 24DC/21-21AU - Relay module



2912578

<https://www.phoenixcontact.com/us/products/2912578>

Technical data

Product properties

| | |
|-------------------------|---------------------------|
| Product type | Relay Module |
| Product family | PLC-INTERFACE |
| Application | Universal |
| Operating mode | 100% operating factor |
| Mechanical service life | 3x 10 ⁷ cycles |

Insulation characteristics: Standards/regulations

| | |
|----------------------|------------------|
| Insulation | Basic insulation |
| Overvoltage category | III |
| Pollution degree | 2 |

Data management status

| | |
|------------------------------|------------|
| Date of last data management | 12.09.2025 |
|------------------------------|------------|

Electrical properties

| | |
|---|--------|
| Maximum power dissipation for nominal condition | 0.43 W |
|---|--------|

Standards/regulations

| | |
|---------------------|------|
| Rated surge voltage | 6 kV |
|---------------------|------|

Input data

Coil side

| | |
|---|--|
| Nominal input voltage U _N | 24 V DC |
| Input voltage range | 20.2 V DC ... 33.6 V DC |
| Drive and function | monostable |
| Typical input current at U _N | 18 mA |
| Typical response time | 8 ms |
| Typical release time | 10 ms |
| Protective circuit | Reverse polarity protection; Polarity protection diode Freewheeling diode; Freewheeling diode |
| Operating voltage display | Yellow LED |

Output data

Switching

| | |
|-----------------------------|------------------------|
| Contact switching type | 2 changeover contacts |
| Type of switch contact | Single contact |
| Contact material | AgNi, hard gold-plated |
| Maximum switching voltage | 30 V AC 36 V DC |
| Minimum switching voltage | 100 mV (at 10 mA) |
| Limiting continuous current | 50 mA |

PLC-RSP- 24DC/21-21AU - Relay module



2912578

<https://www.phoenixcontact.com/us/products/2912578>

| | |
|---------------------------------------|--------------------|
| Maximum inrush current | 50 mA |
| Min. switching current | 1 mA (at 24 V) |
| Interrupting rating (ohmic load) max. | 1.2 W (at 24 V DC) |

Switching: when the gold layer is destroyed

| | |
|---------------------------------------|--|
| Note | the following values are applicable if a gold layer is destroyed |
| Maximum switching voltage | 250 V AC/DC |
| Minimum switching voltage | 5 V AC/DC |
| Limiting continuous current | 6 A |
| Maximum inrush current | 15 A (300 ms) |
| Min. switching current | 10 mA |
| Interrupting rating (ohmic load) max. | 140 W (at 24 V DC) 85 W (at 48 V DC) 60 W (at 60 V DC) 44 W (at 110 V DC) 60 W (at 220 V DC) 1500 VA (for 250 V AC) |
| Switching capacity | 2 A (at 24 V, DC13) 0.2 A (at 110 V, DC13) 0.2 A (at 250 V, DC13) 2 A (at 24 V, AC15) 2 A (at 120 V, AC15) 2 A (at 250 V, AC15) |

Connection data

Coil side

| | |
|----------------------------------|--|
| Connection method | Spring-cage connection |
| Stripping length | 8 mm |
| Conductor cross-section rigid | 0.14 mm ² ... 2.5 mm ² |
| Conductor cross-section flexible | 0.14 mm ² ... 2.5 mm ² |
| Conductor cross-section AWG | 26 ... 14 |

Contact side

| | |
|----------------------------------|--|
| Connection method | Spring-cage connection |
| Stripping length | 8 mm |
| Conductor cross-section rigid | 0.14 mm ² ... 2.5 mm ² |
| Conductor cross-section flexible | 0.14 mm ² ... 2.5 mm ² |
| Conductor cross-section AWG | 26 ... 14 |

Dimensions

| | |
|--------|-------|
| Width | 14 mm |
| Height | 80 mm |
| Depth | 94 mm |

PLC-RSP- 24DC/21-21AU - Relay module



2912578

<https://www.phoenixcontact.com/us/products/2912578>

Material specifications

| | |
|--|------------------|
| Color | green (RAL 6021) |
| Flammability rating according to UL 94 (Housing) | V0 (Housing) |

Environmental and real-life conditions

Ambient conditions

| | |
|---|-------------------|
| Degree of protection (Relay) | RT III (Relay) |
| Degree of protection (Relay base) | IP20 (Relay base) |
| Ambient temperature (operation) | -40 °C ... 60 °C |
| Ambient temperature (storage/transport) | -40 °C ... 85 °C |

Standards and regulations

Standards/regulations

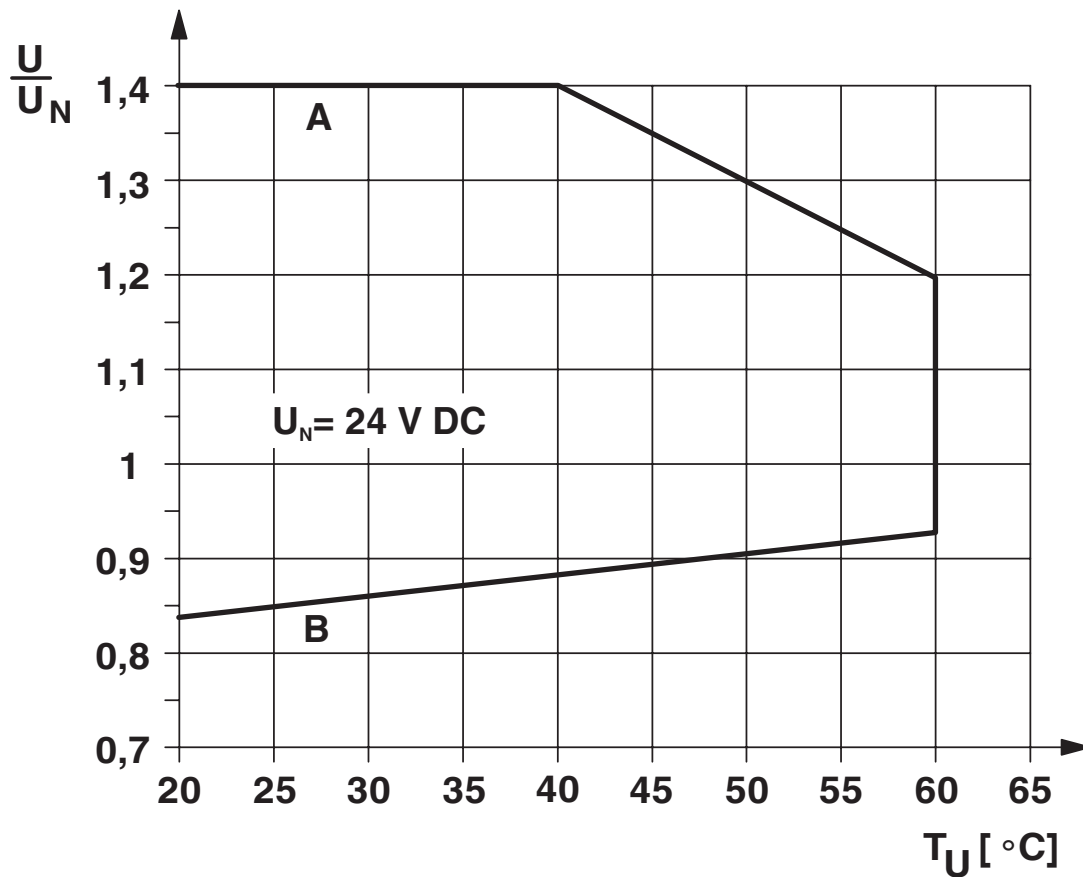
| | |
|-----------------------|---------------|
| Standards/regulations | IEC 60664 |
| | IEC 60947-5-1 |

Mounting

| | |
|-------------------|---------------------------|
| Mounting type | DIN rail mounting |
| Assembly note | in rows with zero spacing |
| Mounting position | any |

Drawings

Diagram



Curve A

Maximum permissible continuous voltage U_{max} with limiting continuous current on the contact side (see relevant technical data)

Curve B

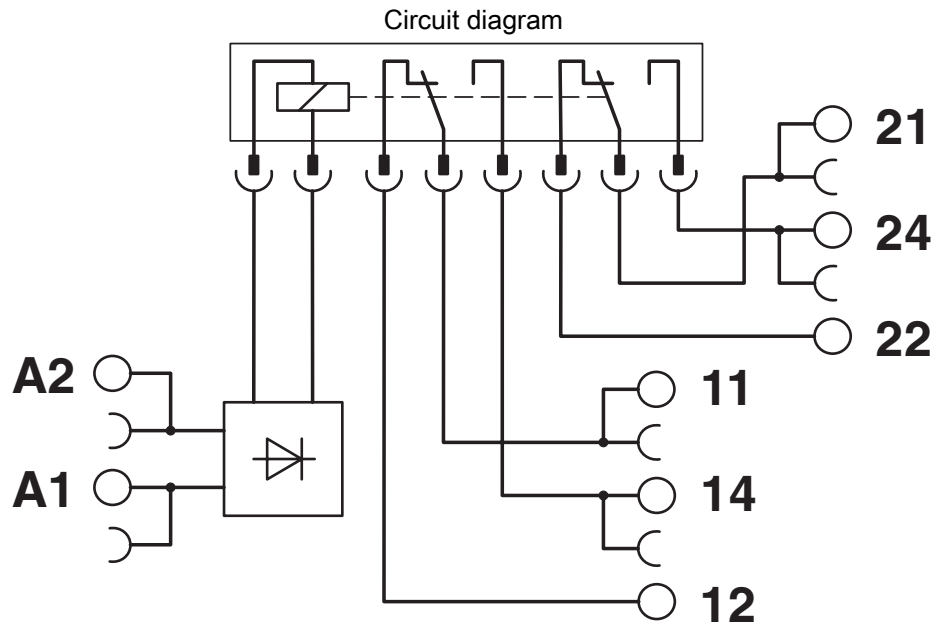
Minimum permissible operate voltage U_{op} after pre-excitation (see relevant technical data)

PLC-RSP- 24DC/21-21AU - Relay module



2912578

<https://www.phoenixcontact.com/us/products/2912578>



PLC-RSP- 24DC/21-21AU - Relay module



2912578

<https://www.phoenixcontact.com/us/products/2912578>

Environmental product compliance

EU RoHS

| | |
|---|--------------|
| Fulfills EU RoHS substance requirements | Yes |
| Exemption | 7(a), 7(c)-I |

China RoHS

| | |
|--|---|
| Environment friendly use period (EFUP) | EFUP-50 |
| | An article-related China RoHS declaration table can be found in the download area for the respective article under "Manufacturer declaration". For all articles with EFUP-E, no China RoHS declaration table issued and required. |

EU REACH SVHC

| | |
|-------------------------------------|----------------------|
| REACH candidate substance (CAS No.) | Lead(CAS: 7439-92-1) |
|-------------------------------------|----------------------|

Phoenix Contact 2026 © - all rights reserved
<https://www.phoenixcontact.com>

Phoenix Contact USA
586 Fulling Mill Road
Middletown, PA 17057, United States
(+717) 944-1300
info@phoenixcon.com