

ST-OE2-120AC/ 48DC/100 - Solid-state relay



2911731

<https://www.phoenixcontact.com/us/products/2911731>

Please be informed that the data shown in this PDF document is generated from our online catalog. Please find the complete data in the user documentation. Our general terms of use for downloads are valid.



Plug-in input solid-state relay, with LED and protective circuit in input and output circuits, input: 120 V AC, output: 8 - 48 V DC/max. 100 mA, can be plugged into basic terminal blocks

The figure shows version ST-OV 2-5 DC/ 48 DC/100

Commercial data

Item number	2911731
Packing unit	1 pc
Note	Made to order (non-returnable)
Sales key	C460
Product key	DK61B1
GTIN	4017918079758
Weight per piece (including packing)	24.05 g
Weight per piece (excluding packing)	24.05 g
Customs tariff number	85364900
Country of origin	DE

ST-OE2-120AC/ 48DC/100 - Solid-state relay



2911731

<https://www.phoenixcontact.com/us/products/2911731>

Technical data

Product properties

Product type	Single solid-state relay
--------------	--------------------------

Data management status

Date of last data management	01.04.2026
------------------------------	------------

Electrical properties

Test voltage (Input/output)	2.5 kV AC (Input/output)
-----------------------------	--------------------------

Input data

Nominal input voltage U_N	120 V AC
Input voltage range in reference to U_N	0.9 ... 1.1
Input voltage range	108 V AC ... 132 V AC
Switching threshold "0" signal in reference to U_N	≤ 0.4
Switching threshold "1" signal in reference to U_N	≥ 0.8
Typical input current at U_N	5 mA
Typical response time	10 ms
Typical turn-off time	10 ms
Status display	LED (yellow)
Protective circuit	Reverse polarity protection; Polarity protection diode Surge protection RC element
Transmission frequency	10 Hz

Output data

Design of digital output	electronic
Output voltage range	8 V DC ... 48 V DC
Limiting continuous current	100 mA
Voltage drop at max. limiting continuous current	0.9 V
Output circuit	2-conductor, floating
Protective circuit	Reverse polarity protection; Polarity protection diode Surge protection

Dimensions

Width	14.6 mm
Height	33 mm
Depth	66.5 mm

Material specifications

Color	green (RAL 6021)
-------	------------------

Environmental and real-life conditions

ST-OE2-120AC/ 48DC/100 - Solid-state relay



2911731

<https://www.phoenixcontact.com/us/products/2911731>

Ambient conditions

Ambient temperature (operation)	-20 °C ... 60 °C
Ambient temperature (storage/transport)	-20 °C ... 70 °C

Standards and regulations

Standards/regulations	DIN VDE 0110
-----------------------	--------------

Mounting

Mounting position	any
-------------------	-----

ST-OE2-120AC/ 48DC/100 - Solid-state relay

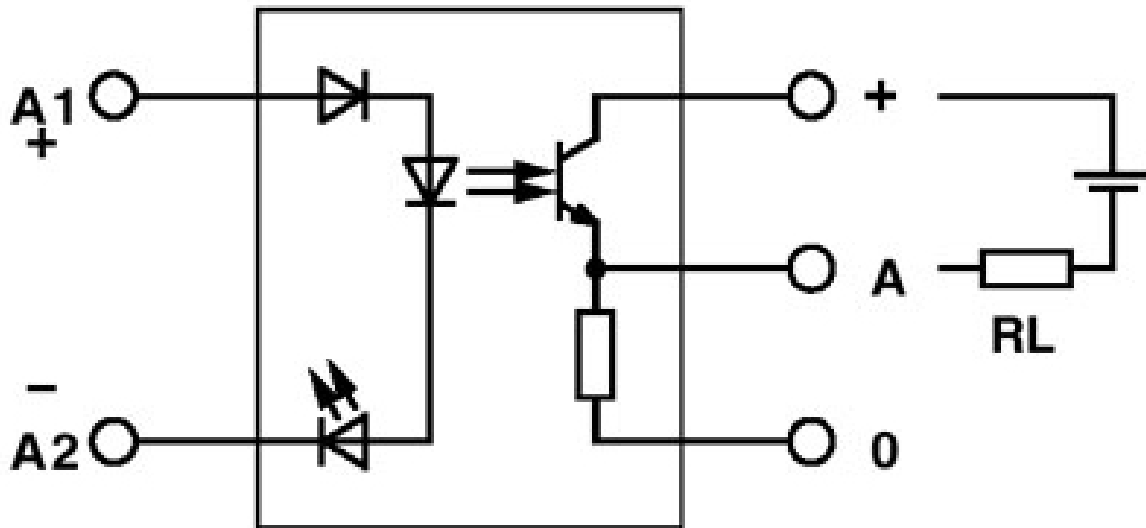


2911731

<https://www.phoenixcontact.com/us/products/2911731>

Drawings

Circuit diagram



Output: 2-conductor, floating, positive switching

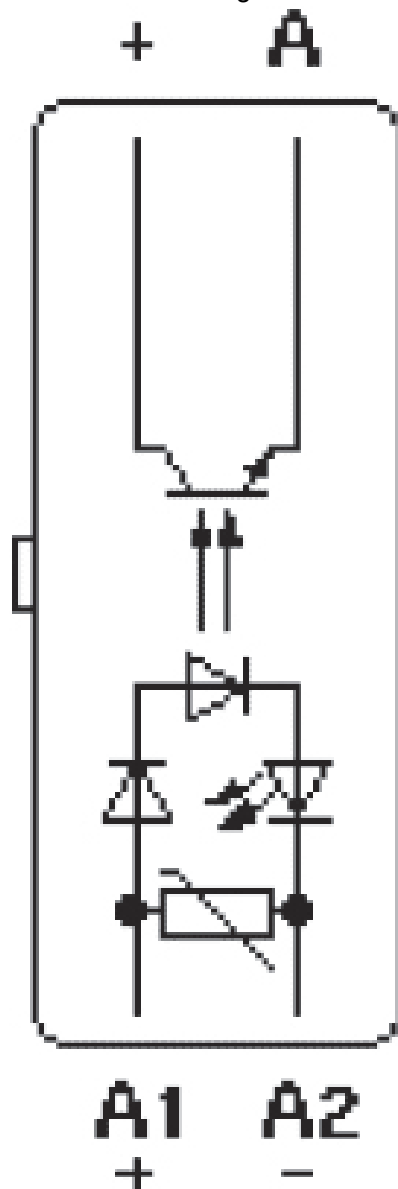
ST-OE2-120AC/ 48DC/100 - Solid-state relay

2911731

<https://www.phoenixcontact.com/us/products/2911731>



Circuit diagram

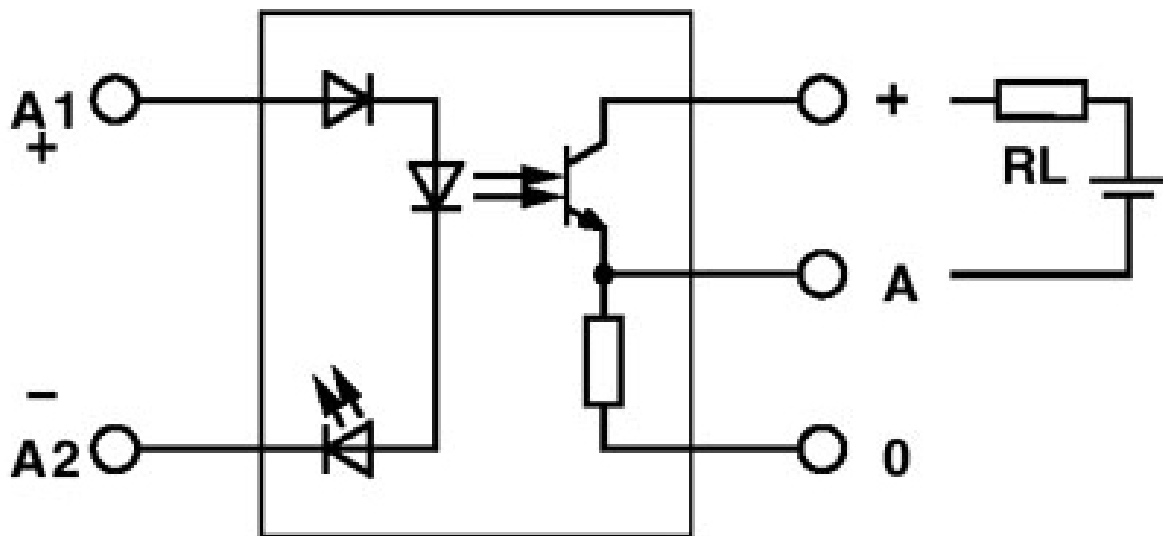


ST-OE2-120AC/ 48DC/100 - Solid-state relay

2911731

<https://www.phoenixcontact.com/us/products/2911731>

Circuit diagram



Output: 2-conductor, floating, negative switching

ST-OE2-120AC/ 48DC/100 - Solid-state relay



2911731

<https://www.phoenixcontact.com/us/products/2911731>

Environmental product compliance

China RoHS

Environment friendly use period (EFUP)	EFUP-50
	An article-related China RoHS declaration table can be found in the download area for the respective article under "Manufacturer declaration". For all articles with EFUP-E, no China RoHS declaration table issued and required.

EU REACH SVHC

REACH candidate substance (CAS No.)	No substance above 0.1 wt%
-------------------------------------	----------------------------

Phoenix Contact 2026 © - all rights reserved
<https://www.phoenixcontact.com>

Phoenix Contact USA
586 Fulling Mill Road
Middletown, PA 17057, United States
(+717) 944-1300
info@phoenixcon.com