

# ST-OE2-110DC/ 48DC/100 - Solid-state relay



2911715

<https://www.phoenixcontact.com/us/products/2911715>

Please be informed that the data shown in this PDF document is generated from our online catalog. Please find the complete data in the user documentation. Our general terms of use for downloads are valid.



Plug-in input solid-state relay, with LED and protective circuit in input and output circuits, input: 110 V DC, output: 8 - 48 V DC/max. 100 mA, can be plugged into basic terminal blocks

The figure shows version ST-OV 2-5 DC/ 48 DC/100

## Commercial data

Item number	2911715
Packing unit	1 pc
Note	Made to order (non-returnable)
Sales key	C460
Product key	DK61B1
GTIN	4017918079734
Weight per piece (including packing)	23.03 g
Weight per piece (excluding packing)	23.03 g
Customs tariff number	85364900
Country of origin	DE

# ST-OE2-110DC/ 48DC/100 - Solid-state relay



2911715

<https://www.phoenixcontact.com/us/products/2911715>

## Technical data

### Product properties

Product type	Single solid-state relay
Data management status	
Date of last data management	01.04.2026

### Electrical properties

Test voltage (Input/output)	2.5 kV AC (Input/output)
-----------------------------	--------------------------

### Input data

Nominal input voltage $U_N$	110 V DC
Input voltage range in reference to $U_N$	0.9 ... 1.1
Input voltage range	99 V DC ... 121 V DC
Switching threshold "0" signal in reference to $U_N$	$\leq 0.4$
Switching threshold "1" signal in reference to $U_N$	$\geq 0.8$
Typical input current at $U_N$	5 mA
Typical response time	20 $\mu$ s
Typical turn-off time	100 $\mu$ s
Status display	LED (yellow)
Protective circuit	Reverse polarity protection; Polarity protection diode
	Surge protection
	RC element
Transmission frequency	500 Hz

### Output data

Design of digital output	electronic
Output voltage range	8 V DC ... 48 V DC
Limiting continuous current	100 mA
Voltage drop at max. limiting continuous current	0.9 V
Output circuit	2-conductor, floating
Protective circuit	Reverse polarity protection; Polarity protection diode
	Surge protection

### Dimensions

Width	14.6 mm
Height	33 mm
Depth	66.5 mm

### Material specifications

Color	green (RAL 6021)
-------	------------------

### Environmental and real-life conditions

# ST-OE2-110DC/ 48DC/100 - Solid-state relay



2911715

<https://www.phoenixcontact.com/us/products/2911715>

## Ambient conditions

Ambient temperature (operation)	-20 °C ... 60 °C
Ambient temperature (storage/transport)	-20 °C ... 70 °C

## Standards and regulations

Standards/regulations	DIN VDE 0110
-----------------------	--------------

## Mounting

Mounting position	any
-------------------	-----

# ST-OE2-110DC/ 48DC/100 - Solid-state relay

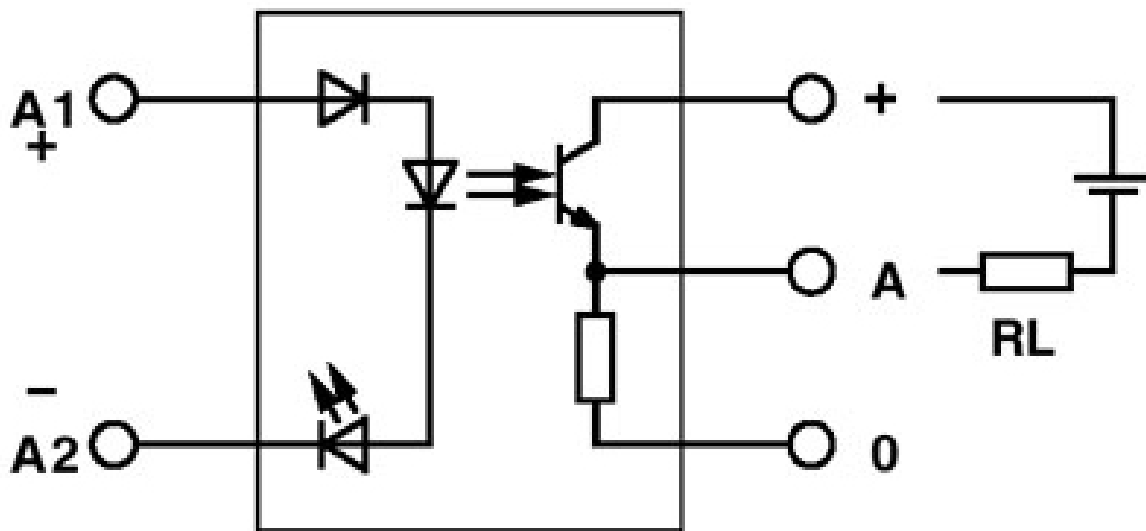


2911715

<https://www.phoenixcontact.com/us/products/2911715>

## Drawings

Circuit diagram



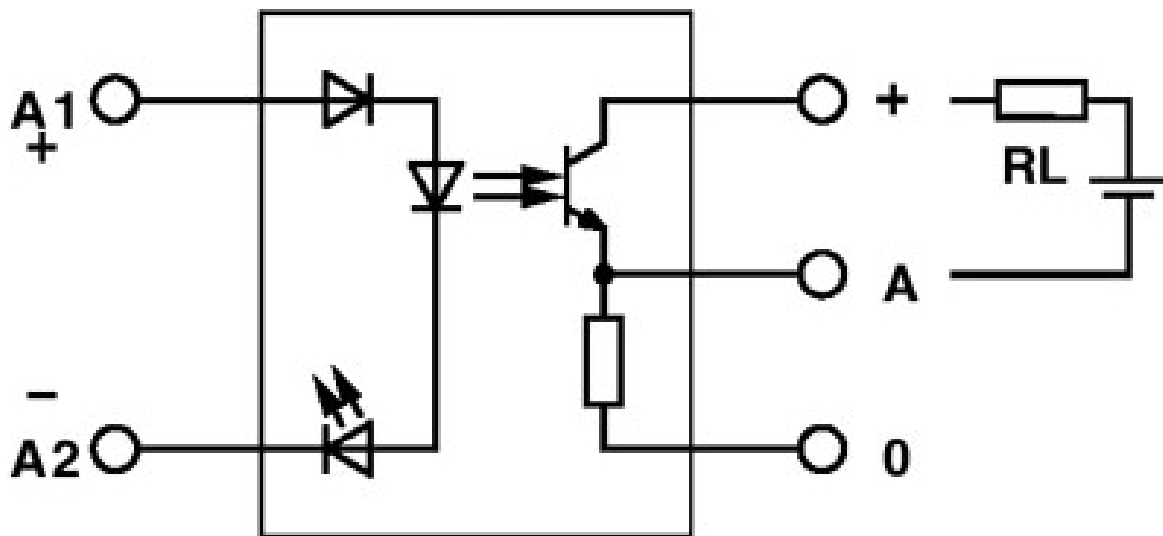
Output: 2-conductor, floating, positive switching

# ST-OE2-110DC/ 48DC/100 - Solid-state relay

2911715

<https://www.phoenixcontact.com/us/products/2911715>

Circuit diagram



Output: 2-conductor, floating, negative switching

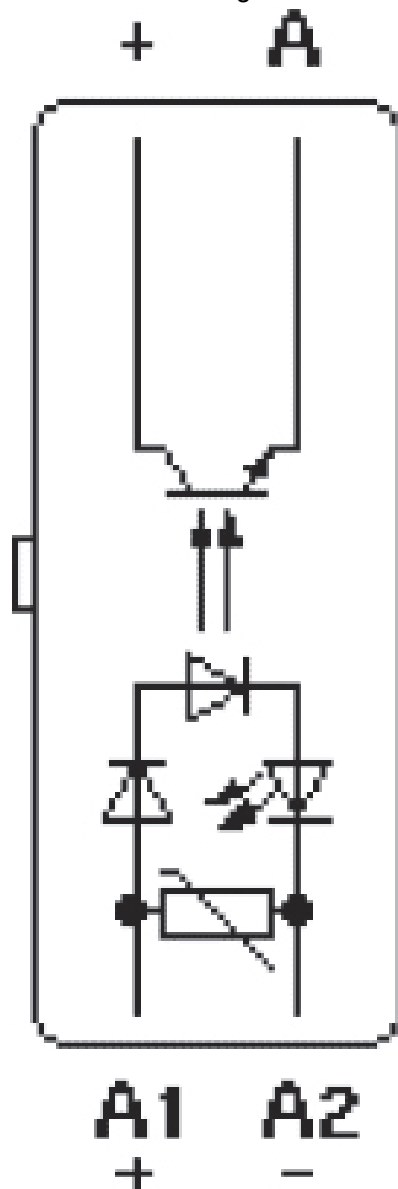
# ST-OE2-110DC/ 48DC/100 - Solid-state relay

2911715

<https://www.phoenixcontact.com/us/products/2911715>



Circuit diagram



# ST-OE2-110DC/ 48DC/100 - Solid-state relay



2911715

<https://www.phoenixcontact.com/us/products/2911715>

## Environmental product compliance

### China RoHS

Environment friendly use period (EFUP)	EFUP-50
	An article-related China RoHS declaration table can be found in the download area for the respective article under "Manufacturer declaration". For all articles with EFUP-E, no China RoHS declaration table issued and required.

### EU REACH SVHC

REACH candidate substance (CAS No.)	No substance above 0.1 wt%
-------------------------------------	----------------------------

Phoenix Contact 2026 © - all rights reserved  
<https://www.phoenixcontact.com>

Phoenix Contact USA  
586 Fulling Mill Road  
Middletown, PA 17057, United States  
(+717) 944-1300  
[info@phoenixcon.com](mailto:info@phoenixcon.com)