

ST-OE2- 24DC/ 48DC/100 - Solid-state relay



2911692

<https://www.phoenixcontact.com/us/products/2911692>

Please be informed that the data shown in this PDF document is generated from our online catalog. Please find the complete data in the user documentation. Our general terms of use for downloads are valid.



Plug-in input solid-state relay, with LED and protective circuit in input and output circuits, input: 24 V DC, output: 8 - 48 V DC/max. 100 mA, can be plugged into basic terminal blocks

The figure shows version ST-OV 2-5 DC/ 48 DC/100

Commercial data

Item number	2911692
Packing unit	10 pc
Minimum order quantity	1 pc
Note	Made to order (non-returnable)
Sales key	C460
Product key	DK61B1
GTIN	4017918079710
Weight per piece (including packing)	22.1 g
Weight per piece (excluding packing)	22.61 g
Customs tariff number	85364190
Country of origin	DE

Technical data

Product properties

Product type	Single solid-state relay
--------------	--------------------------

Data management status

Date of last data management	01.04.2026
------------------------------	------------

Electrical properties

Test voltage (Input/output)	2.5 kV AC (Input/output)
-----------------------------	--------------------------

Input data

Nominal input voltage U_N	24 V DC
Input voltage range in reference to U_N	0.9 ... 1.1
Input voltage range	21.6 V DC ... 26.4 V DC
Switching threshold "0" signal in reference to U_N	≤ 0.4
Switching threshold "1" signal in reference to U_N	≥ 0.8
Typical input current at U_N	9 mA
Typical response time	20 μ s
Typical turn-off time	100 μ s
Status display	LED (yellow)
Protective circuit	Reverse polarity protection; Polarity protection diode
	Surge protection
	RC element
Transmission frequency	500 Hz

Output data

Design of digital output	electronic
Output voltage range	8 V DC ... 48 V DC
Limiting continuous current	100 mA
Voltage drop at max. limiting continuous current	0.9 V
Output circuit	2-conductor, floating
Protective circuit	Reverse polarity protection; Polarity protection diode
	Surge protection

Dimensions

Item dimensions

Width	14.6 mm
Height	33 mm
Depth	66.5 mm

Material specifications

Color	green (RAL 6021)
-------	------------------

ST-OE2- 24DC/ 48DC/100 - Solid-state relay



2911692

<https://www.phoenixcontact.com/us/products/2911692>

Environmental and real-life conditions

Ambient conditions

Ambient temperature (operation)	-20 °C ... 60 °C
Ambient temperature (storage/transport)	-20 °C ... 70 °C

Standards and regulations

Standards/regulations	DIN VDE 0110
-----------------------	--------------

Mounting

Mounting position	any
-------------------	-----

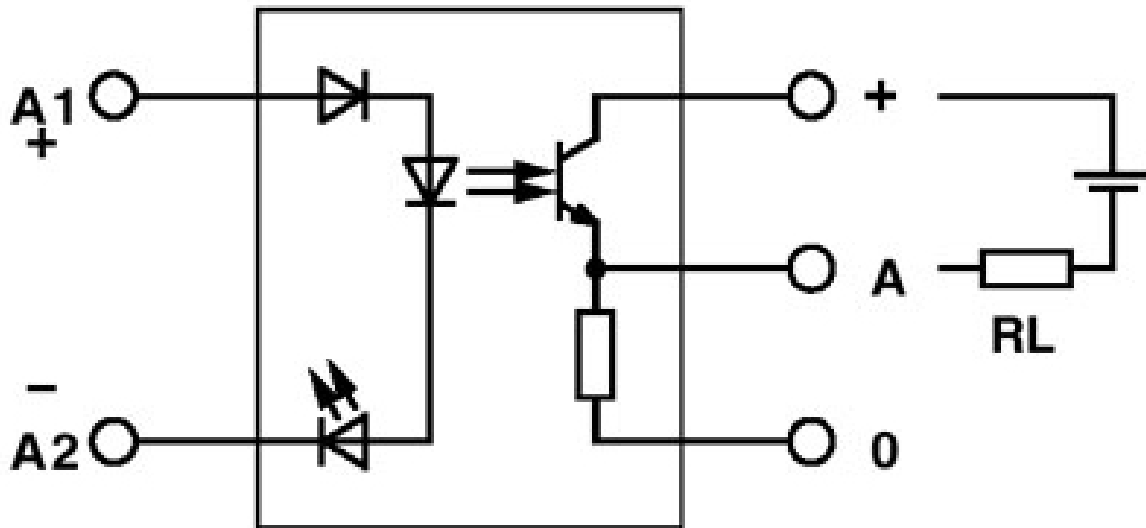
ST-OE2- 24DC/ 48DC/100 - Solid-state relay

2911692

<https://www.phoenixcontact.com/us/products/2911692>

Drawings

Circuit diagram



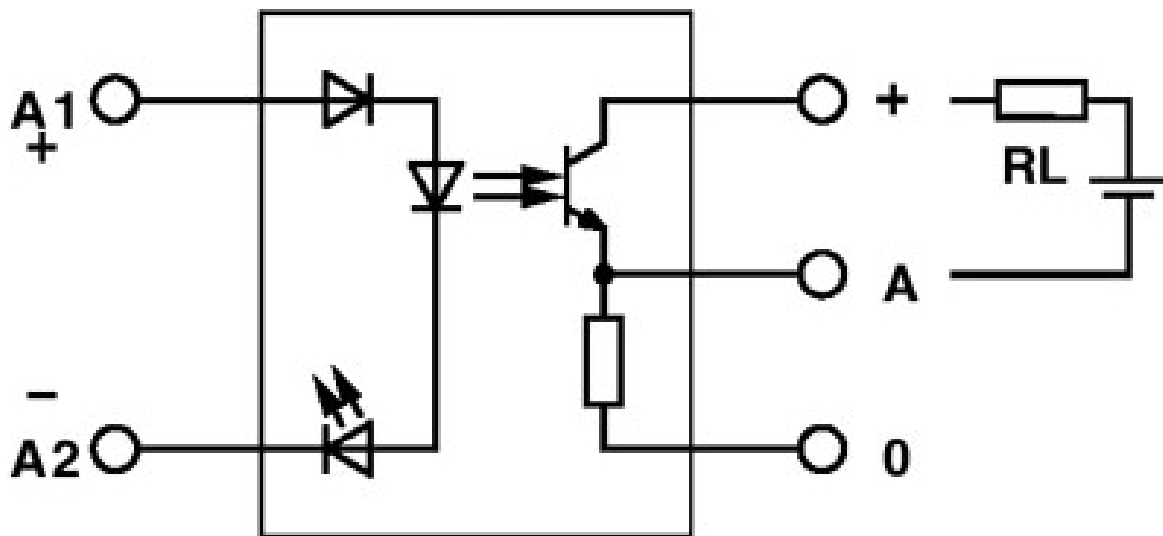
Output: 2-conductor, floating, positive switching

ST-OE2- 24DC/ 48DC/100 - Solid-state relay

2911692

<https://www.phoenixcontact.com/us/products/2911692>

Circuit diagram



Output: 2-conductor, floating, negative switching

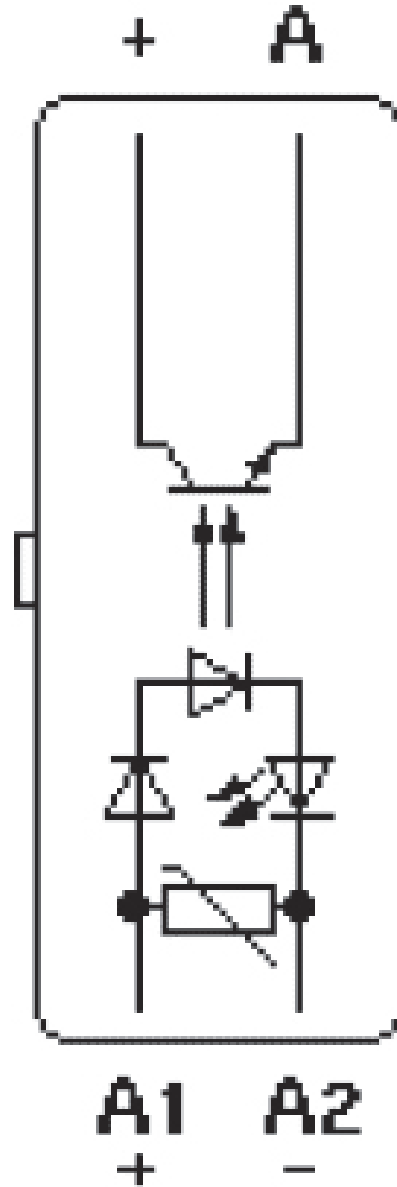
ST-OE2- 24DC/ 48DC/100 - Solid-state relay

2911692

<https://www.phoenixcontact.com/us/products/2911692>



Circuit diagram



ST-OE2- 24DC/ 48DC/100 - Solid-state relay



2911692

<https://www.phoenixcontact.com/us/products/2911692>

Approvals

To download certificates, visit the product detail page: <https://www.phoenixcontact.com/us/products/2911692>



EAC

Approval ID: RU*C-DE.*08.B.00010

ST-OE2- 24DC/ 48DC/100 - Solid-state relay



2911692

<https://www.phoenixcontact.com/us/products/2911692>

Classifications

ECLASS

ECLASS-13.0	27371604
ECLASS-15.0	27371604

ETIM

ETIM 10.0	EC001504
-----------	----------

UNSPSC

UNSPSC 21.0	39122300
-------------	----------

Environmental product compliance

EU RoHS

Fulfills EU RoHS substance requirements	Yes
Exemption	7(a), 7(c)-I

China RoHS

Environment friendly use period (EFUP)	EFUP-50
	An article-related China RoHS declaration table can be found in the download area for the respective article under "Manufacturer declaration". For all articles with EFUP-E, no China RoHS declaration table issued and required.

EU REACH SVHC

REACH candidate substance (CAS No.)	Hexahydromethylphthalic anhydride(CAS: n/a)
	Lead(CAS: 7439-92-1)
SCIP	c53319b6-e20e-422f-85a4-7246e53a7c3f

EF3.1 Climate Change

CO2e kg	1.072 kg CO2e
---------	---------------